

# PRIOR MODELS

## *Wheel Horse*®

### REO

## MOWERS — SNOW THROWS — TILLERS

## SECTION VII

### CONTENTS

- REEL MOWER 418-LR
- REEL MOWER 421-LR
- ROTARY MOWER 418-L
- ROTARY MOWER 421-L & 421-L1
- ROTARY MOWER INSTRUCTIONS — LC MODELS
- ROTARY MOWER 421-LC
- ROTARY MOWER 421-LCP
- RIDING ROTARY MOWER 425-L3
- SNOW THROW 626ST & 626STE
- INSTALLATION INSTRUCTIONS 6071 KIT
- SNOW THROW 420ST-3
- SNOW THROW 485-4
- SNOW THROW 417ST-3
- SNOW THROW 415ST-3
- TILLER H314-L
- TILLER V312-L

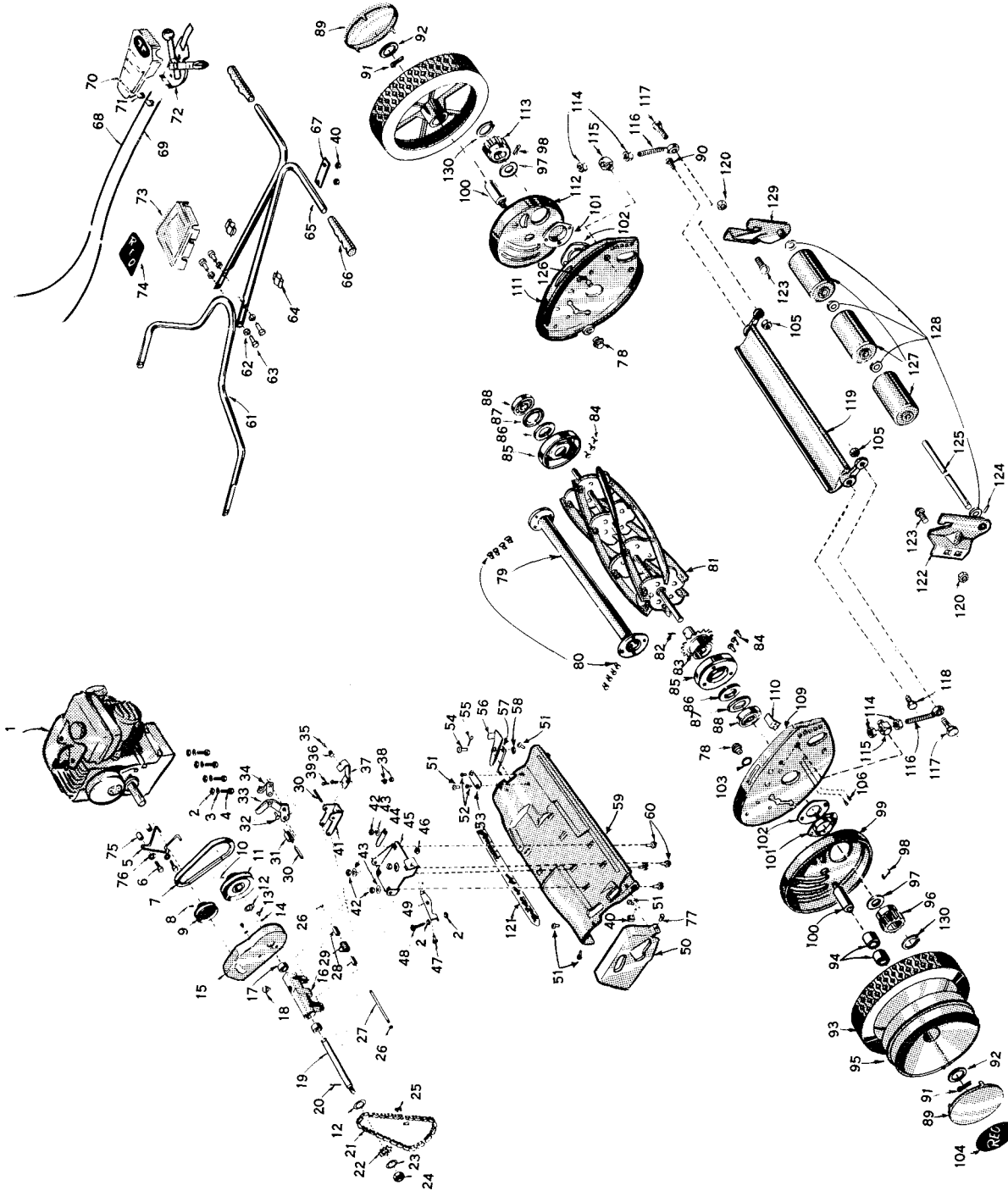


18" REEL TYPE

# REO 4 CYCLE ENGINE

MODEL 418LR

REO FOUR CYCLE POWER MOWER MODEL 418LR



ORDER PARTS FROM YOUR REO SERVICE DISTRIBUTOR

ORDER PARTS BY PART NUMBER ONLY . . . NOT BY INDEX NUMBER  
SEE PARTS LIST ON REVERSE SIDE

# REO FOUR CYCLE POWER MOWER MODEL 418LR PARTS LIST

Order Parts by Part Number Only - Not Index Number

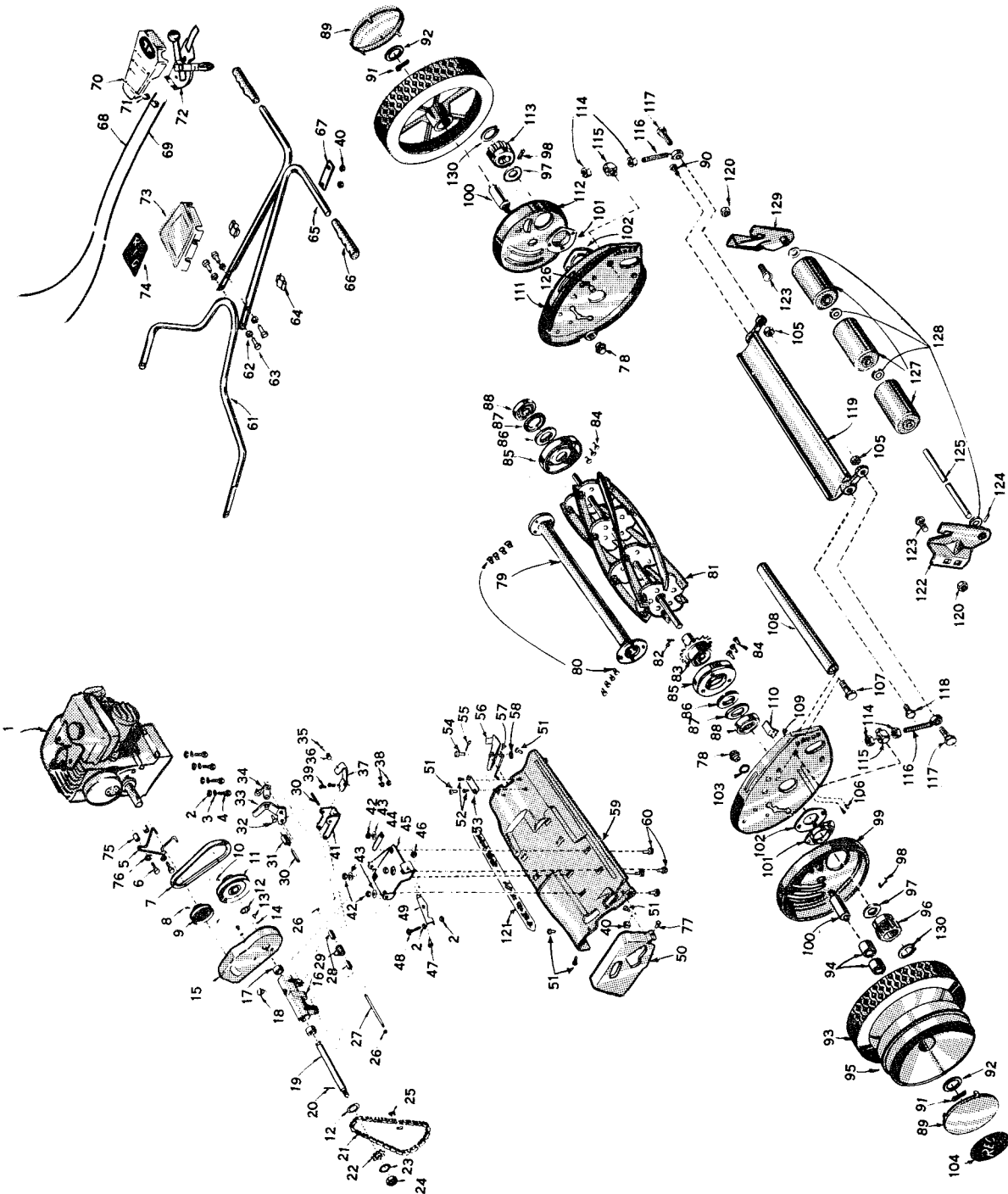
INDEX NUMBER	PART NUMBER	DESCRIPTION	INDEX NUMBER	PART NUMBER	DESCRIPTION
1	MW-8632	Engine	66	MW-8503	Handle Grip
2	MW-9283	Nut	67	MW-9373	Clamp
3	MW-9303	Lockwasher	68 thru 72	MW-9806	Throttle-Clutch Control Assy.
4	MW-9326	Bolt	68	MW-9810	Throttle Cable
5	MW-9786	Belt Stop	69	MW-9811	Clutch Cable
6	MW-9320	Screw	70	MW-9809	Control Cover
7	MW-9363	"V" Belt	71	MW-9369	Clip
8	MW-9317	Set Screw	72	MW-9393	Throttle-Clutch Control
9	MW-9788	Pulley	73	MW-9807	Cover
10	MW-9341	Rollpin	74	MW-8624	Label
11	MW-9789	Pulley Assy.	75	MW-9351	Spacer
12	MW-9331	Washer	76	MW-9332	Washer
13	MW-9322	Screw	77	MW-9288	Screw
14	MW-9333	Washer	78	MW-9774	Nut
15	MW-9790	Belt Guard	79	MW-9762	Spacer Tube
16,17,18	MW-9791	Jackshaft Housing Assy.	80	MW-9278	Rivet
16	MW-9792	Jackshaft Housing	81	MW-9764	Reel
17	MW-9364	Bearing	82	MW-9339	Rollpin
18	MW-9370	Oiler	83	MW-9766	Sprocket
19	MW-9356	Jackshaft	84	MW-9273	Rivet
20	MW-9336	Pin	85	MW-9355	Retainer
21	MW-9365	Chain	86	MW-9284	Felt Washer
22	MW-9358	Sprocket	87	MW-9285	Retainer
23	MW-9304	Washer	88	MW-9272	Bearing
24	MW-9330	Nut	89	MW-9767	Hub Cap
25	MW-9310	Connecting Link	90	MW-9321	Screw
26	MW-9361	Retaining Ring	91	MW-9291	Cotter Pin
27	MW-9337	Pin	92	MW-9290	Washer
28	MW-9349	Spacer	93,94,95	MW-9768	Wheel and Tire Assembly
29	MW-9793	Spring	93	MW-9386	Tire
30	MW-9342	Rollpin	94,95	MW-9769	Wheel and Bearings
31	MW-9367	Roller	94	MW-9289	Bearing
32,33,34	MW-9794	Roller Lever Assy.	95 use	MW-9769	Wheel
32	MW-9273	Rivet	96	MW-9371	L.H. Pinion Gear
33	MW-9795	L.H. Roller Lever	97	MW-9286	Felt Washer
34	MW-9376	R.H. Roller Lever	98	MW-9295	Pawl
35	MW-9311	Screw	99	MW-9770	L.H. Gear Housing
36	MW-9374	Clamp	100	MW-9771	Axle
37	MW-9796	Control Bracket	101	MW-9772	Retainer
38	MW-9328	Nut	102	MW-9777	Spacer
39	MW-9280	Screw	103	MW-9773	Washer
40	MW-9808	Nut	104	MW-8606	Decal
41	MW-9797	Bracket	105	MW-9292	Nut
42	MW-9282	Nut	106	MW-9311	Screw
43	MW-9301	Lockwasher	109	MW-9775	L.H. End Plate
44	MW-9350	Spacer	110	MW-9378	Scraper
45	MW-9798	Bracket	111	MW-9776	R.H. End Plate
46	MW-9279	Nut	112	MW-9778	R.H. Gear Housing
47	MW-9324	Bolt	113	MW-9372	R.H. Pinion Gear
48	MW-9325	Bolt	114	MW-9281	Nut
49	MW-9390	Lever	115	MW-9274	Pivot
50	MW-9799	Guard	116	MW-9297	Bolt
51	MW-9323	Bolt	117	MW-9298	Screw
52	MW-9302	Screw	118	MW-9299	Screw
53	MW-8612	Nameplate	119	MW-9779	Cutter Bar
54	MW-9335	Clevis Pin	120	MW-9781	Nut
55	MW-9338	Cotter Pin	121	MW-8602	Decal
56	MW-9353	Latch	122	MW-9782	L.H. Roller Bracket
57	MW-9392	Spring	123	MW-9784	Bolt
58	MW-9306	Washer	124	MW-9340	Rollpin
59	MW-9802	Support Shield	125	MW-9591	Roller Shaft
60	MW-9327	Bolt	126	MW-9360	Pivot Pin
61	MW-9804	Lower Handle	127	MW-9785	Grass Roller
62	MW-9329	Nut	128	MW-9334	Washer
63	MW-9318	Bolt	129	MW-9783	R.H. Roller Bracket
64	MW-9368	Clip	130	MW-9362	Retaining Ring
65	MW-9394	Upper Handle			

21" REEL TYPE

# REO 4 CYCLE ENGINE

MODEL 421 LR

REO FOUR CYCLE POWER MOWER MODEL 421LR



ORDER PARTS FROM YOUR REO SERVICE DISTRIBUTOR

ORDER PARTS BY PART NUMBER ONLY...NOT BY INDEX NUMBER  
SEE PARTS LIST ON REVERSE SIDE

# REO FOUR CYCLE POWER MOWER MODEL 421LR PARTS LIST

Order Parts by Part Number Only – Not Index Number

INDEX NUMBER	PART NUMBER	DESCRIPTION	INDEX NUMBER	PART NUMBER	DESCRIPTION
1	MW-8632	Engine	67	MW-9373	Clamp
2	MW-9283	Nut	68 thru 72	MW-9806	Throttle-Clutch Control Assy.
3	MW-9303	Lockwasher	68	MW-9810	Throttle Cable
4	MW-9326	Bolt	69	MW-9811	Clutch Cable
5	MW-9787	Belt Stop	70	MW-9809	Control Cover
6	MW-9320	Screw	71	MW-9369	Clip
7	MW-9363	"V" Belt	72	MW-9393	Throttle-Clutch Control
8	MW-9317	Set Screw	73	MW-9807	Cover
9	MW-9788	Pulley	74	MW-8624	Label
10	MW-9341	Rollpin	75	MW-9351	Spacer
11	MW-9789	Pulley Assy.	76	MW-9332	Washer
12	MW-9331	Washer	77	MW-9288	Screw
13	MW-9322	Screw	78	MW-9774	Nut
14	MW-9333	Washer	79	MW-9763	Spacer Tube
15	MW-9790	Belt Guard	80	MW-9278	Rivet
16,17,18	MW-9791	Jackshaft Housing Assy.	81	MW-9765	Reel
16	MW-9792	Jackshaft Housing	82	MW-9339	Rollpin
17	MW-9364	Bearing	83	MW-9766	Sprocket
18	MW-9370	Oiler	84	MW-9273	Rivet
19	MW-9356	Jackshaft	85	MW-9355	Retainer
20	MW-9336	Pin	86	MW-9284	Felt Washer
21	MW-9365	Chain	87	MW-9285	Retainer
22	MW-9358	Sprocket	88	MW-9272	Bearing
23	MW-9304	Washer	89	MW-9767	Hub Cap
24	MW-9330	Nut	90	MW-9321	Screw
25	MW-9310	Connecting Link	91	MW-9291	Cotter Pin
26	MW-9361	Retaining Ring	92	MW-9290	Washer
27	MW-9337	Pin	93,94,95	MW-9768	Wheel and Tire Assy.
28	MW-9349	Spacer	93	MW-9386	Tire
29	MW-9793	Spring	94,95	MW-9769	Wheel and Bearings
30	MW-9342	Rollpin	94	MW-9289	Bearing
31	MW-9367	Roller	95 use	MW-9769	Wheel
32,33,34	MW-9794	Roller Lever Assy.	96	MW-9371	L.H. Pinion Gear
32	MW-9273	Rivet	97	MW-9286	Felt Washer
33	MW-9795	L.H. Roller Lever	98	MW-9295	Pawl
34	MW-9376	R.H. Roller Lever	99	MW-9770	L.H. Gear Housing
35	MW-9311	Screw	100	MW-9771	Axle
36	MW-9374	Clamp	101	MW-9772	Retainer
37	MW-9796	Control Bracket	102	MW-9777	Spacer
38	MW-9328	Nut	103	MW-9773	Washer
39	MW-9280	Screw	104	MW-8606	Decal
40	MW-9808	Nut	105	MW-9292	Nut
41	MW-9797	Bracket	106	MW-9311	Screw
42	MW-9282	Nut	107	MW-9319	Screw
43	MW-9301	Lockwasher	108	MW-9387	Rear Spacer
44	MW-9350	Spacer	109	MW-9775	L.H. End Plate
45	MW-9798	Bracket	110	MW-9378	Scraper
46	MW-9279	Nut	111	MW-9776	R.H. End Plate
47	MW-9324	Bolt	112	MW-9778	R.H. Gear Housing
48	MW-9325	Bolt	113	MW-9372	R.H. Pinion Gear
49	MW-9390	Lever	114	MW-9281	Nut
50	MW-9799	Guard	115	MW-9274	Pivot
51	MW-9323	Bolt	116	MW-9297	Bolt
52	MW-9302	Screw	117	MW-9298	Screw
53	MW-8613	Nameplate	118	MW-9299	Screw
54	MW-9335	Clevis Pin	119	MW-9780	Cutter Bar
55	MW-9338	Cotter Pin	120	MW-9781	Nut
56	MW-9353	Latch	121	MW-8602	Decal
57	MW-9392	Spring	122	MW-9782	L.H. Roller Bracket
58	MW-9306	Washer	123	MW-9784	Bolt
59	MW-9803	Support Shield	124	MW-9340	Rollpin
60	MW-9327	Bolt	125	MW-9357	Roller Shaft
61	MW-9402	Lower Handle	126	MW-9360	Pivot Pin
62	MW-9329	Nut	127	MW-9366	Grass Roller
63	MW-9318	Bolt	128	MW-9334	Washer
64	MW-9368	Clip	129	MW-9783	R.H. Roller Bracket
65	MW-9394	Upper Handle	130	MW-9362	Retaining Ring
66	MW-8503	Handle Grip			

# PARTS LIST AND INSTRUCTIONS

# REO

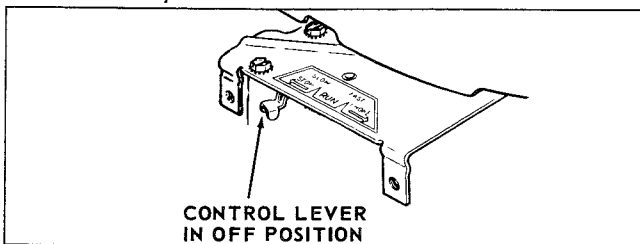
WHEELHORSE PRODUCTS, INC. • SOUTH BEND, IND.

## ROTARY MOWER

# 418-L

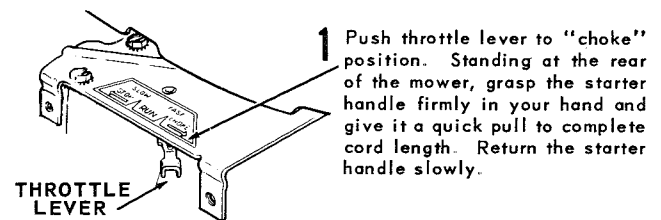
### SAFETY FIRST

- 1 Avoid accidents by keeping hands and feet clear of blade while starting engine and while engine is running.
- 2 Shut off engine and remove spark plug wire before adding gas or oil and before making adjustments or inspection of any kind.



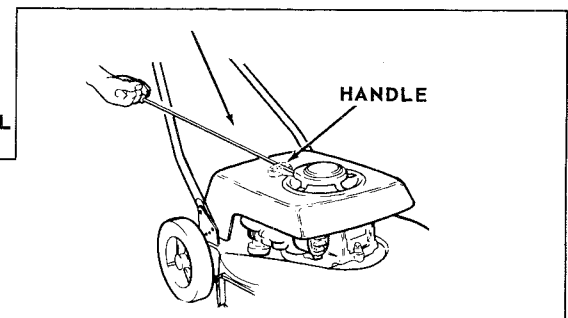
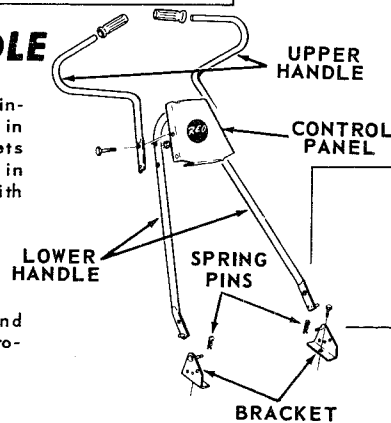
### STARTING

**WARNING!** BE SURE HANDS AND FEET ARE CLEAR OF THE MOWER BASE BEFORE ATTEMPTING TO START THE ENGINE.



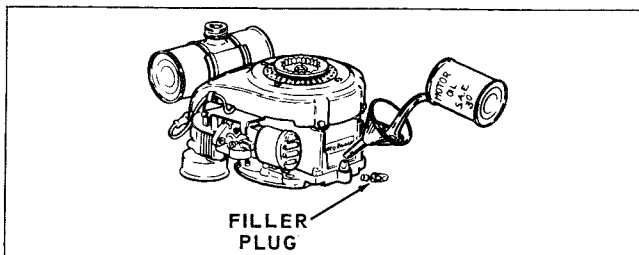
### ASSEMBLING HANDLE

- 1 Assemble lower handle to deck by inserting pins, in handle, thru holes in brackets. The pins in the brackets likewise will assemble in holes in handle. Then secure the handle with spring pins provided.
- 2 Assemble upper handle, handle cover and lower handle with nuts and bolts provided. See illustration at right.



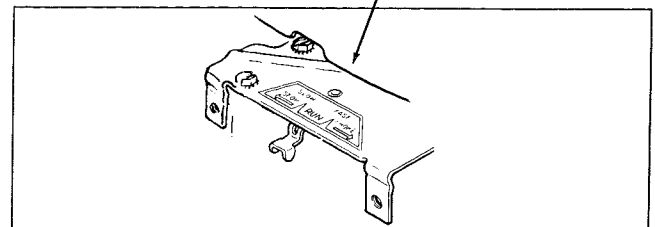
- 2 When engine starts, pull the throttle lever back approximately halfway or until engine runs about 1/3 open throttle.

### OIL AND GASOLINE



NEVER FILL THE GAS TANK WHILE THE ENGINE IS RUNNING. DO NOT MIX OIL WITH GASOLINE.

- 1 Remove oil filler plug and fill with S.A.E. No. 30 motor oil up to the top of the filler hole. Be sure engine is level when adding oil to avoid over filling.
- 2 Fill the gas tank with clean, fresh, regular gasoline. Premium Grade Ethyl is not recommended.



- 3 If engine fails to start after repeated attempts, turn the low speed screw and high speed screw clockwise until finger tight. Turn high speed screw counter-clockwise about one full turn and low speed screw counter-clockwise about one and one half turns. Repeat starting operation.

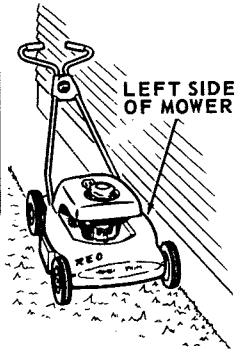
- 4 The first time the engine is started, allow to run at 1/3 open throttle for 10 to 15 minutes to thoroughly lubricate all moving parts and bearings.

## TO MOW

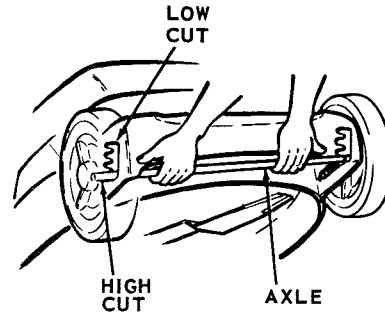
**WARNING!** BE SURE LAWN IS CLEAR OF BONES, WIRE, STICKS, STONES OR OTHER OBJECTS WHICH COULD DAMAGE THE CUTTING BLADES.

1 Take special care when straddling humps or ridges with your mower.

2 Use the left side (the side opposite the chute opening) of your mower when trimming close to buildings, fences, etc.



**WARNING!** DO NOT ATTEMPT TO MAKE ANY ADJUSTMENTS OR CLEAN GRASS FROM THE MOWER BASE UNTIL ENGINE IS STOPPED, AND SPARK PLUG WIRE IS REMOVED.

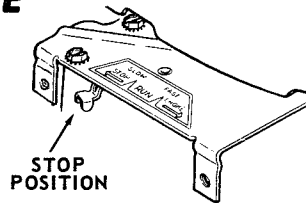


3 To adjust height of cut, grasp the axle firmly in your hands, using the thumbs against the outside of mower base for leverage, pull axle forward and up or down, releasing into the slots for desired setting. Raising the axles will give a lower height of cut. Lowering the axles will give a higher height of cut.

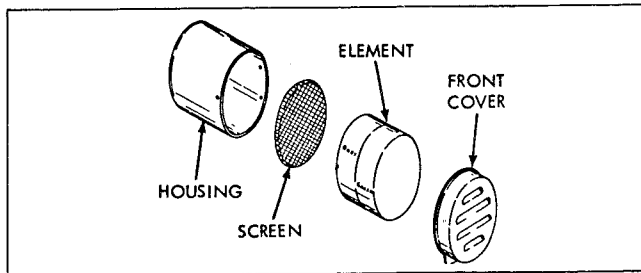
Be sure that all four adjustments be placed in the same position to keep the mower level.

## TO STOP ENGINE

1 Pull back on throttle lever to the stop position.

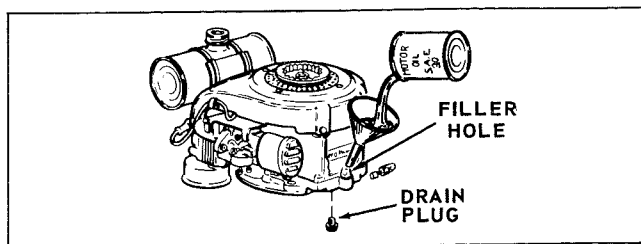


## ROUTINE MAINTENANCE AND ADJUSTMENT



### 1 AIR CLEANER

Polyurethane Type—Serviceable. Clean element every ten (10) hours or oftener if engine runs rich and emits black smoke from the exhaust. Service by removing air cleaner cover. Remove polyurethane element and wash in detergent and water solution by squeezing similar to a sponge. Squeeze out cleaning solution. Re-oil element by applying generous quantity of oil to sides and open ends. Squeeze to distribute oil and to remove excess oil. Reinstall element and air cleaner cover.



2 Drain and refill the crankcase after the first 5 hours of operating. Thereafter, drain and refill after every 25 hours of operating. Refill crankcase with S.A.E. No. 30 Motor Oil. Fill to top of threads in filler hole. Check oil level of the crankcase before each use, (with mower on level ground). **BE SURE DRAIN PLUG IS TIGHT.**

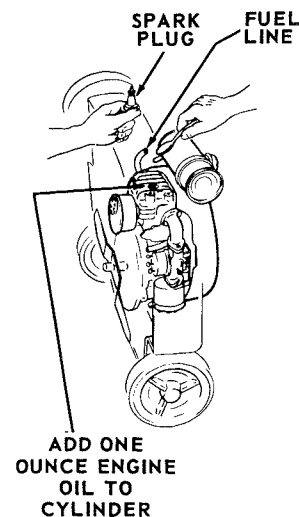
## STORING

When it is necessary to store your mower for a period of 30 days or more:

1 Drain gas tank by removing fuel line at the carburetor or fuel tank.

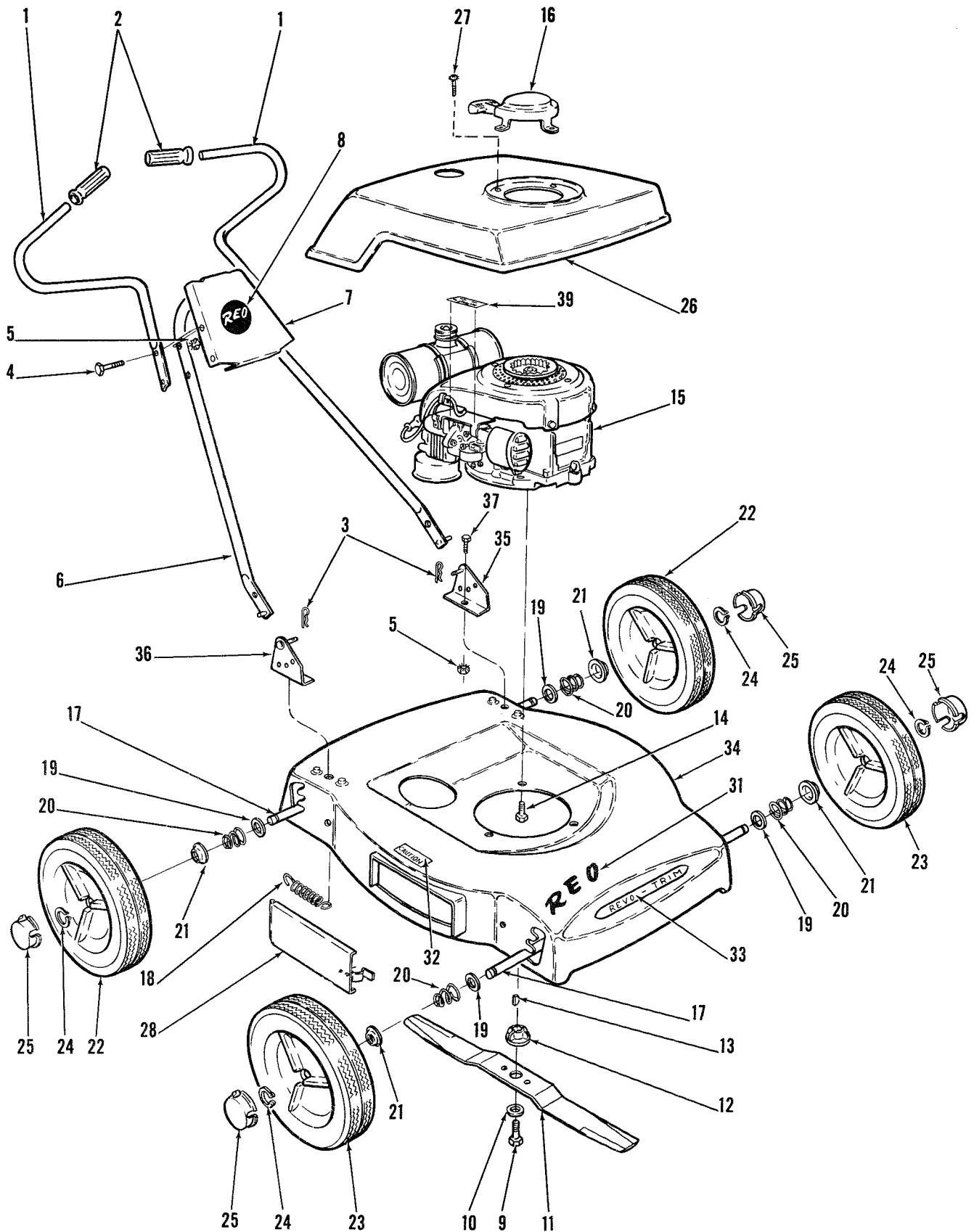
NOTE—If carburetor has float bowl, drain by pushing upward on bowl drain.

2 Remove the spark plug and pour approximately one ounce of engine oil into cylinder. Crank engine slowly about 12 revolutions to spread the oil over internal surfaces of the engine and then replace the spark plug. A little chassis grease on the cutting edges of the blade will prevent them from rusting during prolonged storage. Store your mower in a clean dry place, and cover it with canvas or paper to keep off excess dust and dirt.





# REO FOUR CYCLE MOWER MODEL 418-L PARTS LIST



SEE PARTS LIST ON REVERSE SIDE

# REO FOUR CYCLE MOWER MODEL 418-L PARTS LIST

## PARTS LIST

When ordering parts always list Part No. and name of part.

Ref. No.	Part No.	Description	No. Req'd.	Ref. No.	Part No.	Description	No. Req'd.
1	MW-8665	Upper Handle	2	19	920233-4	Washer 1/2 Dia.	4
2	MW-8503	Grip	2	20	5363	Spring	4
3	S-52-3	Spring Pin	2	21	MW-5191	Cup Washer	4
4	5364	Bolt — Hex. 5/16-18 x 1 3/8	4	22	MW-8662	Wheel - (Rear)	2
5	915112-6	Nut Nylok 5/16-18		23	MW-8661	Wheel - (Front)	2
6	MW-8667	Lower Handle	1	24	MW-4564	Retaining Ring	8
7	MW-8560	Cover	1	25	MW-8663	Hub Cap	4
8	MW-8606	Decal	1	26	MW-8568	Shroud	1
9	908184-5	Bolt — Hex. Nylok 3/8-16 x 1 1/4	1	27	910850-4	Screw and LW	3
10	1336	Washer	1	28	MW-8690	Plate-Mulching	1
11	MW-8034	Blade	1	31	MW-8605	Decal - (REO)	1
12	MW-7726	Blade Drive	1	32	MW-8622	Decal - (Caution)	1
13	937010	Key	1	33	MW-8598	Decal (Model Name)	1
14	908019-4	Bolt — Hex. 5/16-18 x 1	3	34	MW-8629	Base Assembly	1
15	MW-8577	Engine Assy. Less Starter	1	35	MW-8590	Bracket - L.H.	1
16	MW-8580	Starter Assy.	1	36	MW-8591	Bracket - R.H.	1
17	MW 8640	Axle	2	37	908017-4	Bolt — Hex. 5/16-18 x 3/4	4
18	MW-8402	Spring	4	39	MW-8736	Decal - Thro. Control	1

# PARTS LIST AND INSTRUCTIONS

# REO

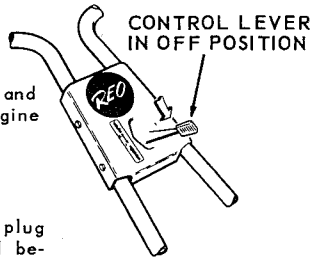
WHEELHORSE PRODUCTS, INC. • SOUTH BEND, IND.

## ROTARY MOWER 421-L & 421-LI

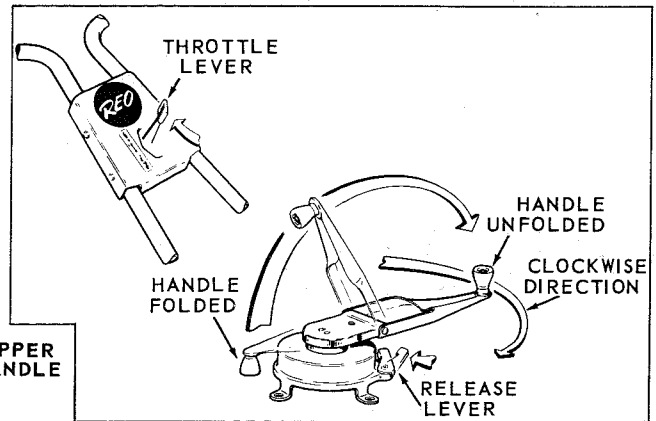
### STARTING

#### SAFETY FIRST

- 1 Avoid accidents by keeping hands and feet clear of blade while starting engine and while engine is running.
- 2 Shut off engine and remove spark plug wire before adding gas or oil and before making adjustments or inspection of any kind.

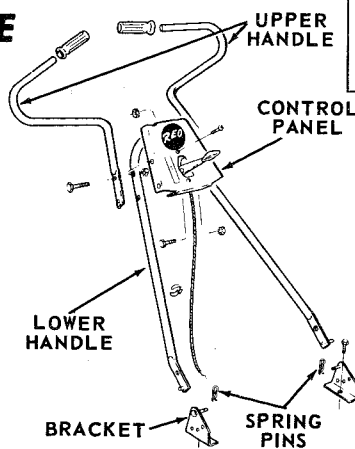


**WARNING!** BE SURE HANDS AND FEET ARE CLEAR OF THE MOWER BASE BEFORE ATTEMPTING TO START THE ENGINE.



#### ASSEMBLING HANDLE

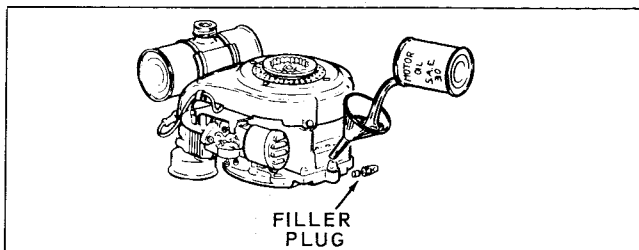
- 1 Assemble lower handle to deck by inserting pins, in handle, thru holes in brackets. The pins in the brackets likewise will assemble in holes in handle. Then secure the handle with spring pins provided.
- 2 Assemble upper handle, Control Panel and lower handle with nuts and bolts provided. See illustration at right.



- 1 Pull throttle lever to "choke" position. For **Impulse Starter**: Standing on left side of mower, push in on release lever, unfold the starter handle and wind-up clockwise about  $3\frac{1}{2}$  turns. Fold handle over and pull out on the release lever. For **Recoil Starter**: Standing at the rear of the mower, grasp the starter handle firmly in your hand and give it a quick pull to complete cord length. Return the Starter handle slowly.

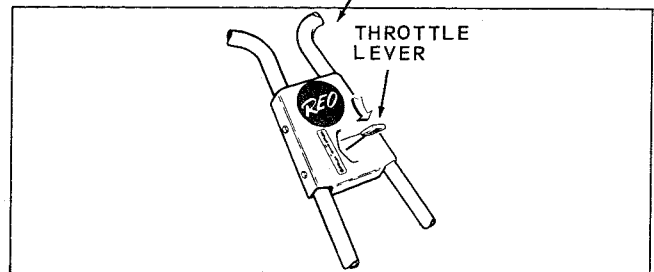
- 2 When engine starts. Push the throttle lever forward approximately halfway or until engine runs about  $\frac{1}{3}$  open throttle.

#### OIL AND GASOLINE

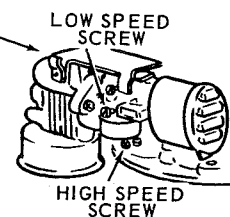


NEVER FILL THE GAS TANK WHILE THE ENGINE IS RUNNING. DO NOT MIX OIL WITH GASOLINE.

- 1 Remove oil filler plug and fill with S.A.E. No. 30 motor oil up to the top of the filler hole. Be sure engine is level when adding oil to avoid over filling.
- 2 Fill the gas tank with clean, fresh, regular gasoline. Premium Grade Ethyl is not recommended.



- 3 If engine fails to start after repeated attempts, turn the low speed screw and high speed screw clockwise until finger tight. Turn high speed screw counter-clockwise about one full turn and low speed screw counter-clockwise about one and one half turns. Repeat starting operation.

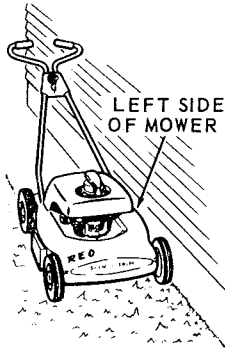


- 4 The first time the engine is started, allow to run at  $\frac{1}{3}$  open throttle for 10 to 15 minutes to thoroughly lubricate all moving parts and bearings.

## TO MOW

**WARNING!** BE SURE LAWN IS CLEAR OF BONES, WIRE, STICKS, STONES OR OTHER OBJECTS WHICH COULD DAMAGE THE CUTTING BLADES.

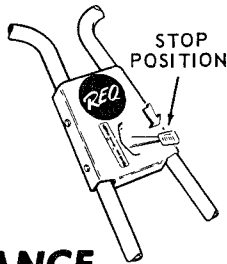
- 1 Take special care when straddling humps or ridges with your mower.



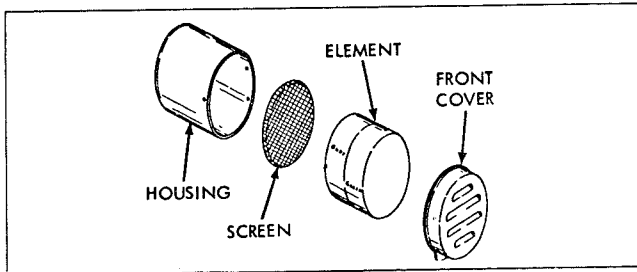
- 2 Use the left side (the side opposite the chute opening) of your mower when trimming close to buildings, fences, etc.

## TO STOP ENGINE

- 1 Push forward on throttle lever to the stop position.

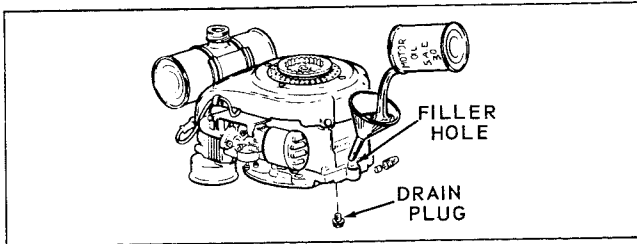


## ROUTINE MAINTENANCE AND ADJUSTMENT



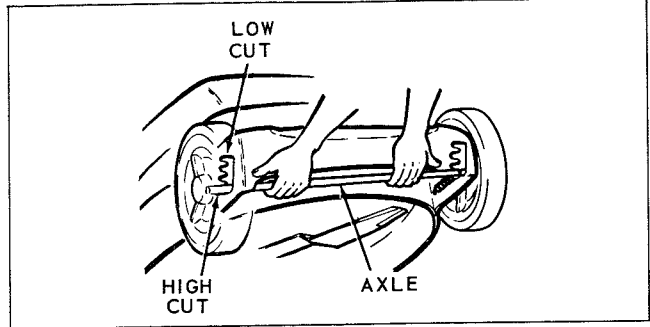
### 1 AIR CLEANER

Polyurethane Type-Serviceable. Clean element every ten (10) hours or oftener if engine runs rich and emits black smoke from the exhaust. Service by removing air cleaner cover. Remove polyurethane element and wash in detergent and water solution by squeezing similar to a sponge. Squeeze out cleaning solution. Re-oil element by applying generous quantity of oil to sides and open ends. Squeeze to distribute oil and to remove excess oil. Reinstall element and air cleaner cover.



- 2 Drain and refill the crankcase after the first 5 hours of operating. Thereafter, drain and refill after every 25 hours of operating. Refill crankcase with SAE No. 30 Motor Oil. Fill to top of threads in filler hole. Check oil level of the crankcase before each use, (with mower on level ground). **BE SURE DRAIN PLUG IS TIGHT.**

**WARNING!** DO NOT ATTEMPT TO MAKE ANY ADJUSTMENTS OR CLEAN GRASS FROM THE MOWER BASE UNTIL ENGINE IS STOPPED, AND SPARK PLUG WIRE IS REMOVED.



- 3 To adjust height of cut, grasp the axle firmly in your hands, using the thumbs against the outside of mower base for leverage, pull axle forward and up or down, releasing into the slots for desired setting. Raising the axles will give a lower height of cut. Lowering the axles will give a higher height of cut.

Be sure that all four adjustments be placed in the same position to keep the mower level.

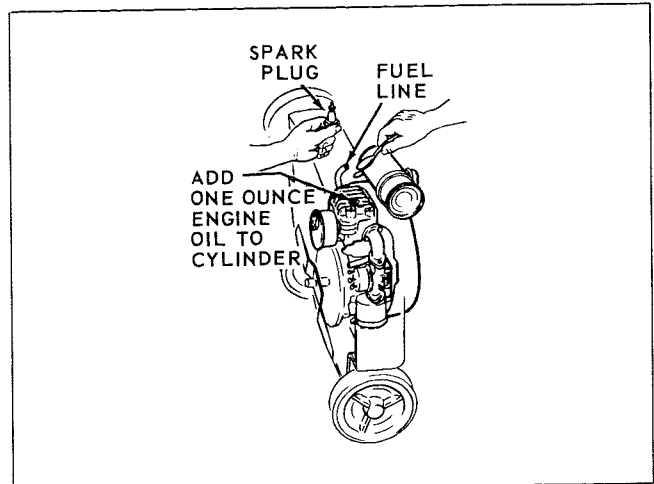
## STORING

When it is necessary to store your mower for a period of 30 days or more:

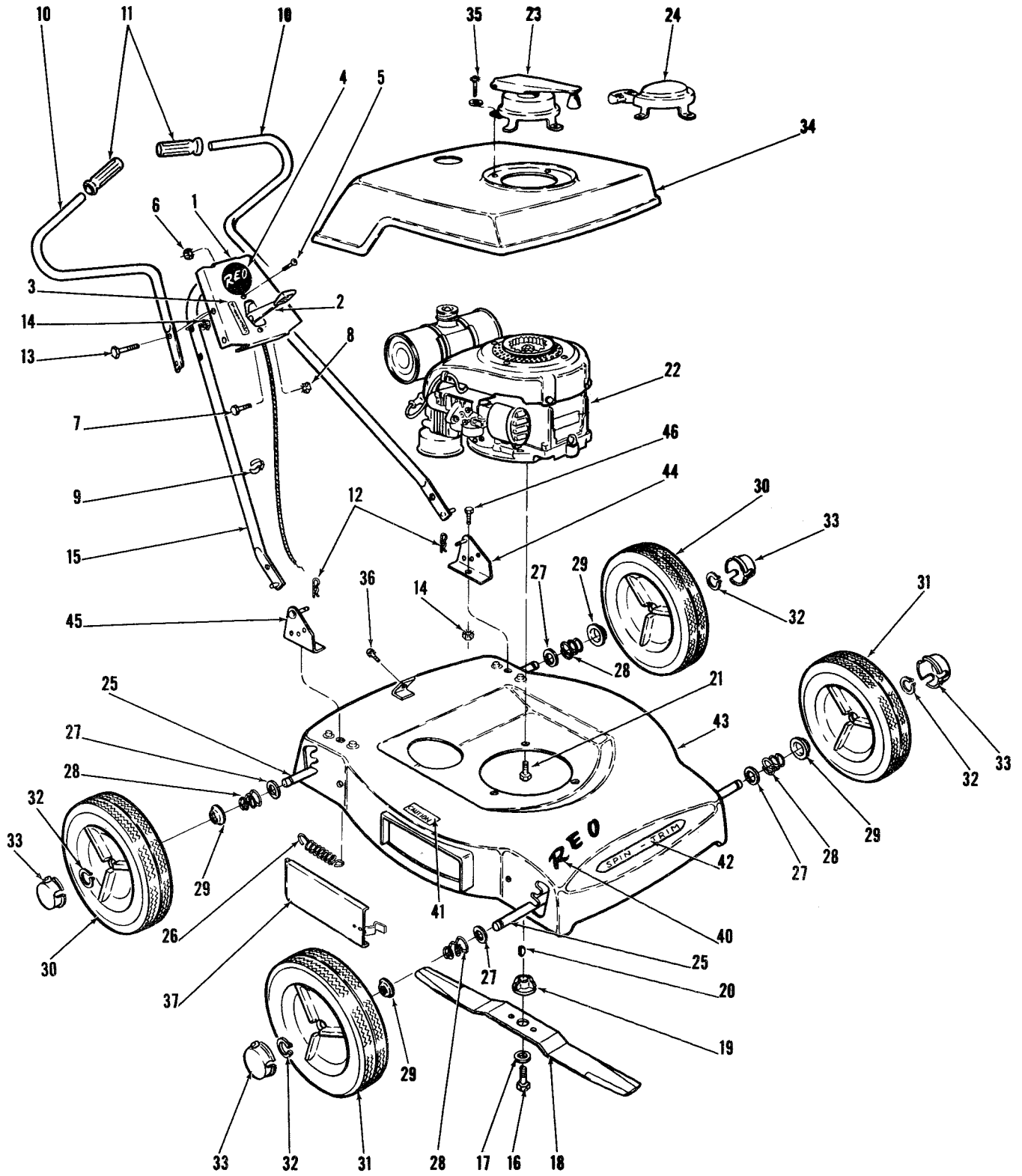
- 1 Drain gas tank by removing fuel line at the carburetor or fuel tank.

**NOTE**--If carburetor has float bowl, drain by pushing upward on bowl drain.

- 2 Remove the spark plug and pour approximately one ounce of engine oil into cylinder. Crank engine slowly about 12 revolutions to spread the oil over internal surfaces of the engine and then replace the spark plug. A little chassis grease on the cutting edges of the blade will prevent them from rusting during prolonged storage. Store your mower in a clean dry place, and cover it with canvas or paper to keep off excess dust and dirt.



# REO FOUR CYCLE POWER MOWER MODELS 421-L & 421-LI



SEE PARTS LIST ON REVERSE SIDE

# REO FOUR CYCLE POWER MOWER MODELS 421-L & 421-LI

## PARTS LIST

When ordering parts always list Part No. and name of part.

Ref. No.	Part No.	Description	Ref. No.	Part No.	Description	
1	MW-8551	Plate	24	MW-8580	Starter Assy. (421-L Recoil)	
2	MW-8677	Throttle Control	25	MW-8641	Axle	
3	MW-8621	Decal (Throttle)	26	MW-8402	Spring (Height Adj.)	
4	MW-8606	Decal - Reo	27	GM-446485	Washer	
4	GM-159908	Screw	28	PT-5148	Spring	
6	GM-271166	Nut and Lockwasher	29	MW-5191	Cupwasher	
7	GM-9415477	Bolt	30	MW-8661	Wheel (rear)	
8	GM-271178	Nut and Lockwasher	31	MW-8662	Wheel (front)	
9	MW-4846	Clip	32	MW-4564	Retaining Ring	
10	MW-8664	Upper Handle	33	MW-8663	Hub Cap	
11	MW-8503	Grip	34	MW-8588	Shroud	
12	MW-4893	Spring Pin	35	GM-450986	Screw and Lockwasher	
13	GM-122033	Bolt	36	MW-4194	Screw and Lockwasher	
14	GM-271184	Nut and Lockwasher	37	MW-8690	Plate-Mulching	
15	MW-8555	Lower Handle	40 thru 45	MW-8672	Base Assembly - 421-LI	
16	GM-181639	Bolt	40 thru 45	MW-8674	Base Assembly - 421-L	
17	MW-4335	Washer	40	MW 8605	Decal - (Reo)	
18	MW-7759	Blade	41	MW-8622	Decal - (Caution)	
19	MW-7726	Blade Driver	42	MW-8599	Decal - (Model Name)	
20	GM-124546	Key	43	use	MW-8672	Base
21	MW-4754	Bolt	44	MW-8590	Bracket L.H.	
22	MW-8578	Engine Assy. Less Starter	45	MW-8591	Bracket R.H.	
23	MW-8581	Starter Assy. (421-LI Impulse)	46	GM-122007	Bolt	

# PARTS LIST AND INSTRUCTIONS

# REO

WHEELHORSE PRODUCTS, INC. • SOUTH BEND, IND.

## ROTARY MOWER

Self Propelled

## INSTRUCTIONS

## LC MODELS

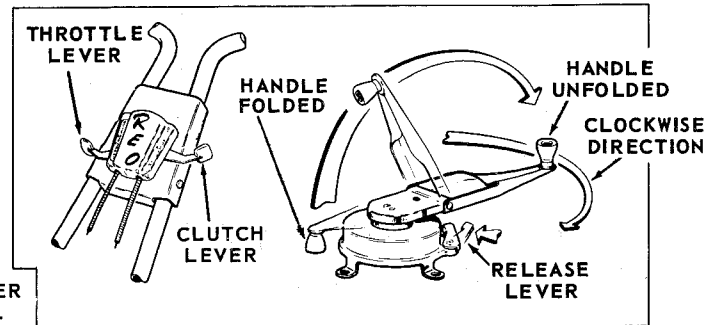
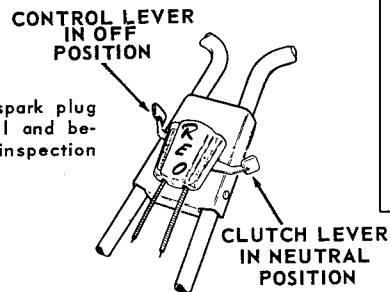
### STARTING

**WARNING!** BE SURE HANDS AND FEET ARE CLEAR OF THE MOWER BASE BEFORE ATTEMPTING TO START THE ENGINE.

### SAFETY FIRST

1 Avoid accidents by keeping hands and feet clear of blade while starting engine and while engine is running.

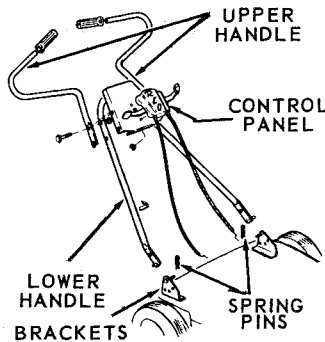
2 Shut off engine and remove spark plug wire before adding gas or oil and before making adjustments or inspection of any kind.



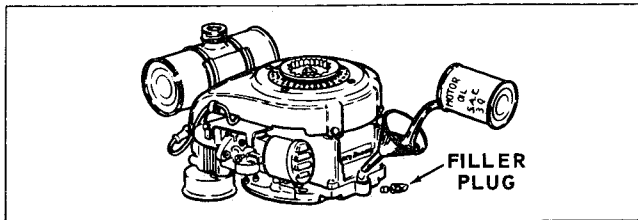
### ASSEMBLING HANDLE

1 Assemble lower handle to deck by inserting pins, in handle, thru holes in brackets. The pins in the brackets likewise will assemble in holes in handle. Then secure the handle with spring pins provided.

2 Assemble upper handle, Control Panel and lower handle with nuts and bolts provided. See illustration at right.



### OIL AND GASOLINE



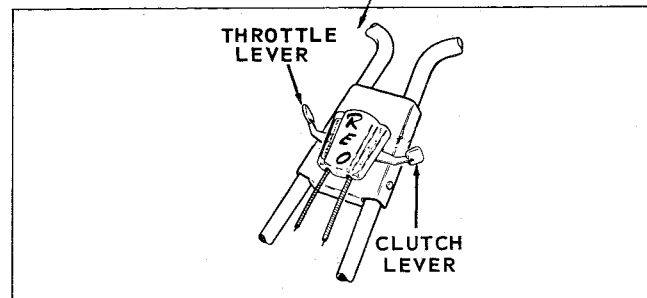
**NEVER FILL THE GAS TANK WHILE THE ENGINE IS RUNNING. DO NOT MIX OIL WITH GASOLINE.**

1 Remove oil filler plug and fill with S.A.E. No. 30 motor oil up to the top of the filler hole. Be sure engine is level when adding oil to avoid over filling.

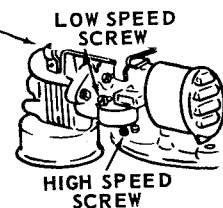
2 Fill the gas tank with clean, fresh, regular gasoline. Premium Grade Ethyl is not recommended.

1 Push throttle lever to choke position and place clutch lever in neutral position (center notch). For Impulse Starter: Standing on left side of mower, push in on release lever, unfold the starter handle and wind-up clockwise about 3½ turns. Fold handle over and pull out on the release lever. For Recoil Starter: Standing at the rear of the mower, grasp the starter handle firmly in your hand and give it a quick pull to complete cord length. Return the Starter handle slowly.

2 When engine starts, pull the throttle lever back approximately halfway or until engine runs about 1/3 open throttle.



3 If engine fails to start after repeated attempts, turn the low speed screw and high speed screw clockwise until finger tight. Turn high speed screw counter-clockwise about one full turn and low speed screw counter-clockwise about one and one half turns. Repeat starting operation.



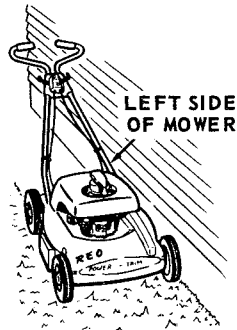
4 The first time the engine is started, allow to run at 1/3 open throttle for 10 to 15 minutes to thoroughly lubricate all moving parts and bearings.

## TO MOW

**WARNING!** BE SURE LAWN IS CLEAR OF BONES, WIRE, STICKS, STONES OR OTHER OBJECTS WHICH COULD DAMAGE THE CUTTING BLADES

**1** Lift up on clutch control lever and place in Hi or Low position. Take special care when straddling humps or ridges with your mower.

**2** Use the left side (the side opposite the chute opening) of your mower when trimming close to buildings, fences, etc.

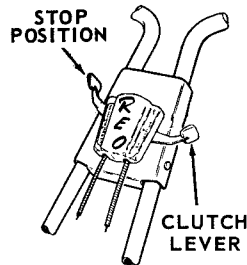


LEFT SIDE OF MOWER

## TO STOP ENGINE

**1** Stop mower by placing clutch lever in neutral position.

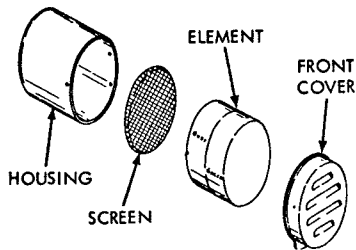
**2** Stop Engine by pulling throttle lever back to stop position.



STOP POSITION

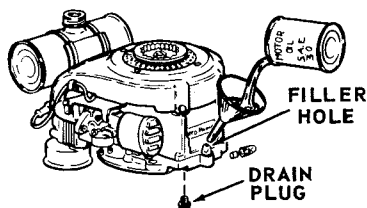
CLUTCH LEVER

## ROUTINE MAINTENANCE AND ADJUSTMENT



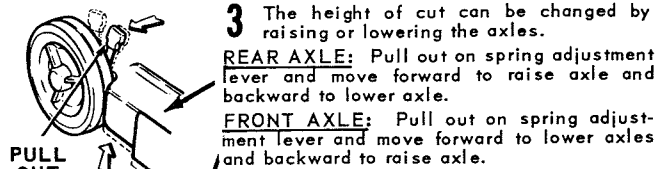
### 1 AIR CLEANER

Polyurethane Type-Serviceable. Clean element every ten (10) hours or oftener if engine runs rich and emits black smoke from the exhaust. Service by removing air cleaner cover. Remove polyurethane element and wash in detergent and water solution by squeezing similar to a sponge. Squeeze out cleaning solution. Re-oil element by applying generous quantity of oil to sides and open ends. Squeeze to distribute oil and to remove excess oil. Reinstall element and air cleaner cover.



**2** Drain and refill the crankcase after the first 5 hours of operating. Thereafter, drain and refill after every 25 hours of operating. Refill crankcase with SAE No. 30 Motor Oil. Fill to top of threads in filler hole. Check oil level of the crankcase before each use, (with mower on level ground). **BE SURE DRAIN PLUG IS TIGHT.**

**WARNING!** DO NOT ATTEMPT TO MAKE ANY ADJUSTMENTS OR CLEAN GRASS FROM THE MOWER BASE UNTIL ENGINE IS STOPPED, AND SPARK PLUG WIRE IS REMOVED.



PULL OUT

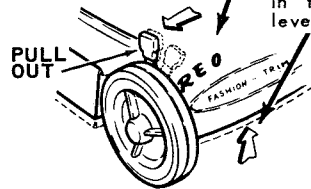
**3** The height of cut can be changed by raising or lowering the axles.

**REAR AXLE:** Pull out on spring adjustment lever and move forward to raise axle and backward to lower axle.

**FRONT AXLE:** Pull out on spring adjustment lever and move forward to lower axle and backward to raise axle.

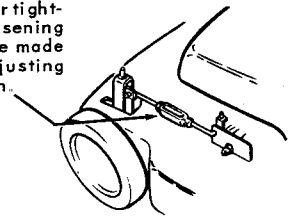
Raising the axles will give a lower height of cut and lowering the axles will give a higher height of cut.

Be sure that all four adjustments be placed in the same position to keep the mower level.



PULL OUT

**4** Adjustments for tightening or loosening drive chain are made by turning adjusting yoke as shown.



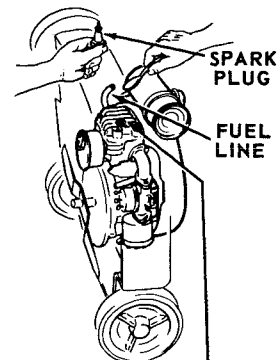
## STORING

When it is necessary to store your mower for a period of 30 days or more:

**1** Drain gas tank by removing fuel line at the carburetor or fuel tank.

**NOTE**—If carburetor has float bowl, drain by pushing upward on bowl drain.

**2** Remove the spark plug and pour approximately one ounce of engine oil into cylinder. Crank engine slowly about 12 revolutions to spread the oil over internal surfaces of the engine and then replace the spark plug. A little chassis grease on the cutting edges of the blade will prevent them from rusting during prolonged storage. Store your mower in a clean dry place, and cover it with canvas or paper to keep off excess dust and dirt.



ADD ONE OUNCE ENGINE OIL TO CYLINDER



REO  
REO  
REO  
REO

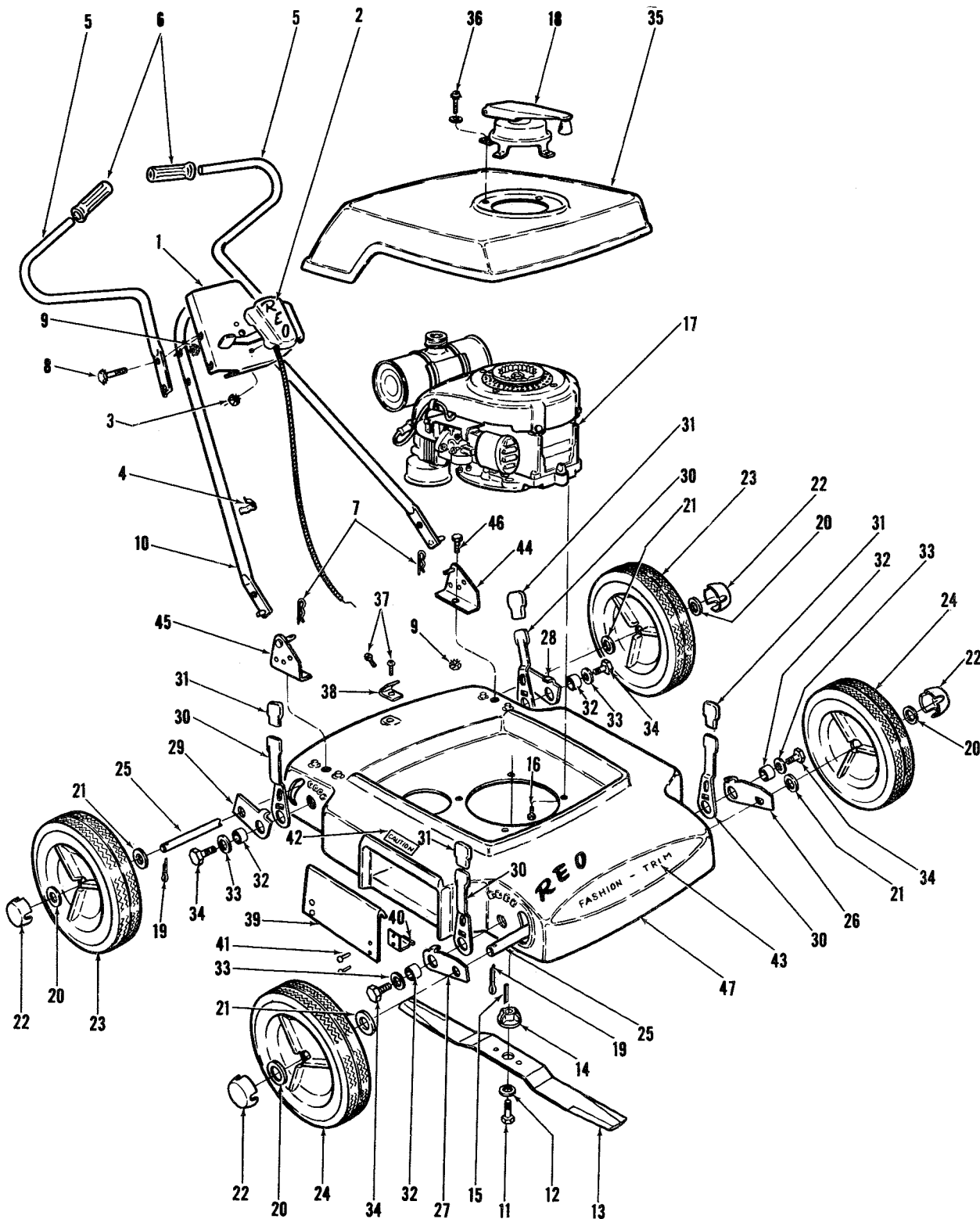
21" PUSH ROTARY

# REO 4 CYCLE MOWER

REO  
REO  
REO  
REO

MODEL 421 LC

REO FOUR CYCLE POWER MOWER MODEL 421 LC



ORDER PARTS FROM YOUR REO SERVICE DISTRIBUTOR

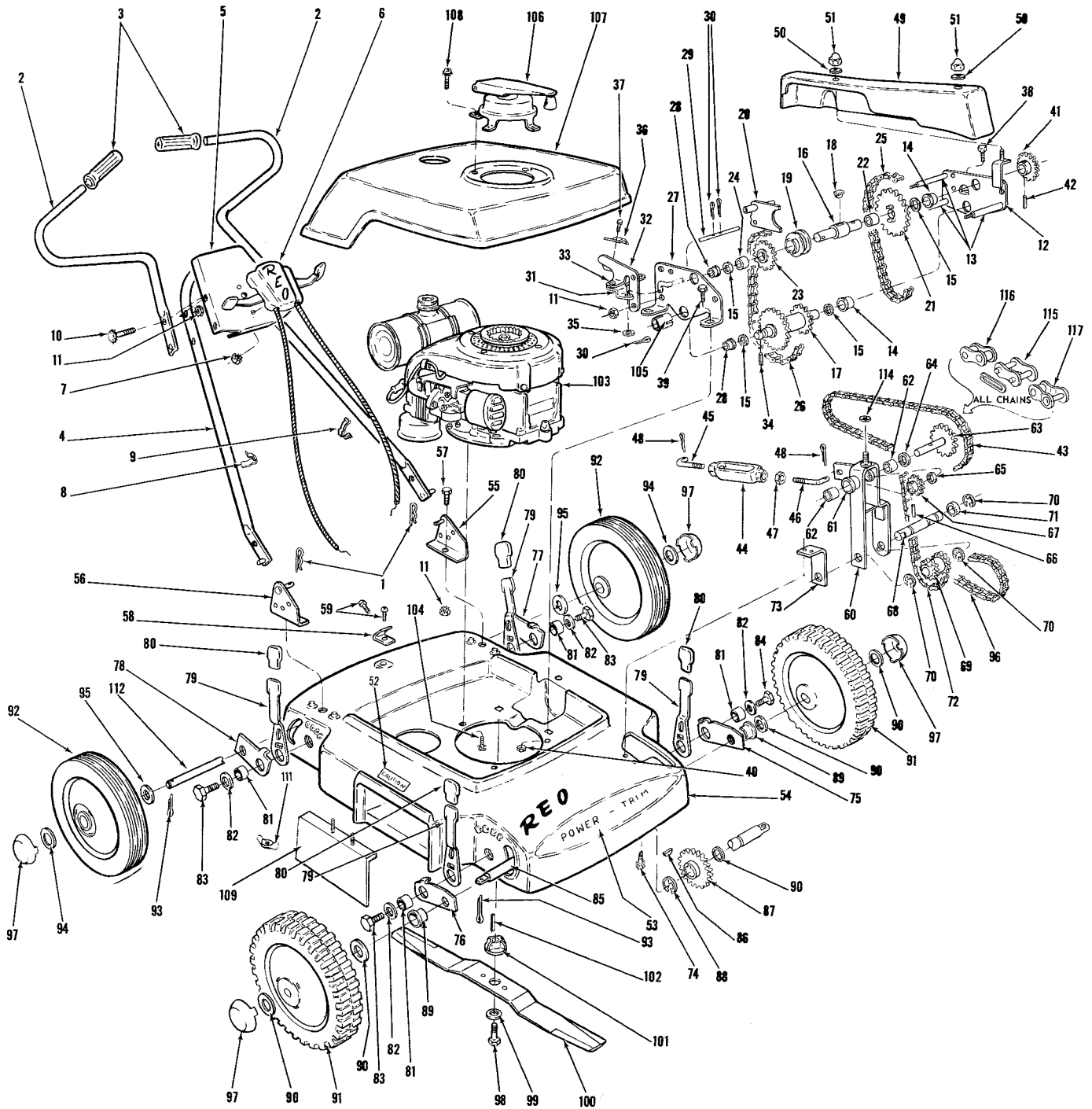
ORDER PARTS BY PART NUMBER ONLY—NOT BY INDEX NUMBER  
SEE PARTS LIST ON REVERSE SIDE

# REO FOUR CYCLE POWER MOWER MODEL 4211LC PARTS LIST

Order Parts by Part Number Only - Not Index Number

INDEX NUMBER	PART NUMBER	DESCRIPTION	INDEX NUMBER	PART NUMBER	DESCRIPTION
1	MW-8653	Plate	25	MW-8639	Axle
2	MW-8678	Throttle Control	26	MW-8575	Arm - L.F.
3	GM-271166	Nut and Lockwasher	27	MW-8576	Arm - R.F.
4	MW-4846	Clip	28	MW-8594	Arm - L.R.
5	MW-8664	Upper Handle	29	MW-8595	Arm - R.R.
6	MW-8503	Grip	30	MW-8573	Spring Lever
7	MW-4893	Spring Pin	31	MW-8657	Grip
8	GM-122033	Bolt	32	MW-8660	Spacer
9	GM-271184	Nut and Lockwasher	33	GM-274865	Washer
10	MW-8555	Lower Handle	34	MW-4203	Bolt and Washer
11	GM-181639	Bolt	35	MW-8588	Shroud
12	MW-4335	Washer	36	GM-450986	Screw and Lockwasher
13	MW-7759	Blade	37	MW-4194	Screw and Lockwasher
14	MW-7726	Blade Drive	38	MW-8659	Bracket
15	GM-124546	Key	39,40,41	MW-8684	Chute Cover Assy.
16	MW-4754	Bolt	39 use	MW-8684	Cover
17	MW-8578	Engine Assy. - Less Starter	40	MW-8686	Latch
18	MW-8581	Starter Assy.	41	107724	Rivet
19	GM-121222	Cotter Pin	42 thru 47	MW-8670	Base Assy.
20	GM-120394	Washer	42	MW-8622	Decal -(Caution)
21	MW-4351	Washer	43	MW-8600	Decal - (Model Name)
22	MW-8663	Hub Cap	44	MW-8590	Bracket L.H.
23	MW-8661	Wheel Assembly (rear)	45	MW-8591	Bracket R.H.
24	MW-8662	Wheel Assembly (front)	46	GM-122007	Bolt
			47 use	MW-8670	Base Assembly

# REO FOUR CYCLE POWER MOWER MODELS 421-LCP



SEE PARTS LIST ON REVERSE SIDE

# REO FOUR CYCLE POWER MOWER MODELS 421-LCP

## PARTS LIST

When ordering parts always list Part No. and name of part.

Ref. No.	Part No.	Description	Ref. No.	Part No.	Description	Ref. No.	Part No.	Description
1	S-52-3	Spring Pin	36	MW-8257	Cable Clamp	75	MW-8596	Arm Left Front
2	MW-8664	Upper Handle	37	MW-4187	Screw	76	MW-8597	Arm Right Front
3	MW-8503	Grip	38	MW-4204	Bolt	77	MW-8594	Arm Left Rear
4	MW-8555	Lower Handle	39	GM-126216	Bolt	78	MW-8595	Arm Right Rear
5	MW-8653	Plate	40	GM-273802	Nut and Lockwasher	79	MW-8573	Lever
6	MW-8679	Throttle and Clutch Control	41	MW-8705	Sprocket	80	MW-8657	Grip
7	GM-271166	Nut and Lockwasher	42	GM-9415236	Spring Pin	81	MW-8660	Spacer
8	MW-4846	Clip	43	MW-8729	Chain	82	GM-274865	Washer
9	5378	Clip	44	MW-8726	Yoke	83	MW-4203	Bolt and Lockwasher
10	GM-122033	Bolt	45	MW-8727	Link R.H. Thread	84	GM-423562	Bolt
11	GM-271184	Nut and Lockwasher	46	MW-8728	Link L.H. Thread	85	MW-8712	Axle (Drive)
12 thru 33	MW-8716	Transmission Assembly	47	GM-120376	Nut	86	GM-106749	Key
12 thru 14	MW-8717	Plate Assembly	48	GM-119117	Cotter Pin	87	MW-8710	Sprocket
12 use	MW-8717	Plate	49	MW-8627	Guard	88	MW-4560	Retaining Ring
13	MW-5281	Tie Bolt	50	GM-274865	Washer	89	MW-8711	Bushing
14	MW-6233	Bushing	51	MW-4662	Nut	90	MW-4329	Washer
15	MW-4327	Washer	52	MW-8622	Decal (Caution)	91	MW-8713	Wheel and Tire Assy. (Front)
16	MW-8720	Shaft	53	MW-8601	Decal (Power Trim)	92	MW-8714	Wheel and Tire Assy. (Rear)
17	MW-8721	Shaft and Sprocket Assy.	54	MW-8523	Base	93	GM-121222	Cotter Pin
18	MW-4624	Key	55	MW-8590	Bracket	94	GM-120394	Washer
19	MW-8722	Collar	56	MW-8591	Bracket	95	MW-4351	Washer
20	MW-6219	Yoke	57	GM-122007	Bolt	96	MW-5431	Chain
21 and 22	MW-5289	Sprocket Assembly	58	MW-8659	Bracket	97	MW-8715	Hub Cap
21 use	MW-5289	Hub and Sprocket Assy.	59	MW-4194	Screw and Lockwasher	98	GM-181639	Bolt
22	MW-5308	Bushing	60 thru 72	MW-8691	Drive Assembly	99	MW-4335	Washer
23 and 24	MW-5283	Sprocket Assembly	60,61,62	MW-8692	Bracket Assembly	100	5362	Blade
23 use	MW-5283	Hub and Sprocket Assy.	60 use	MW-8692	Bracket	101	MW-7726	Blade Drive
24	MW-5306	Bushing	61	MW-8696	Retainer	102	GM-124546	Key
25	MW-5431	Chain	62	MW-5329	Bushing	103	MW-8579	Engine Less Starter
26	MW-8723	Chain	63	MW-8698	Sprocket Assembly	104	MW-4754	Bolt
27 and 28	MW-5277	Plate Assembly	64	MW-6011	Washer	105	MW-5591	Collar
27 use	MW-5277	Plate	65	MW-4329	Washer	106	MW-8581	Starter Assembly
28	MW-6233	Bushing	66	GM-9415236	Spring Pin	107	MW-8588	Shroud
29	MW-6709	Rod	67	MW-8705	Sprocket	108	GM-450986	Screw and Lockwasher
30	GM-119117	Cotter Pin	68	MW-8706	Countershaft	109	MW-8752	Chute Cover Assembly
31 thru 33	MW-8724	Control Assembly	69	MW-8707	Sprocket	111	MW-8756	Wing Nut
31	MW-8649	Bell Crank	70	MW-4560	Retaining Ring	112	MW-8638	Axle (Rear)
32	MW-8740	Bracket	71	MW-4323	Spacer	114	MW-4345	Spacer
33	MW-6707	Pivot	72	MW-8708	Chain	115	MW-5830	Connecting Link
34	MW-4232	Roll Pin	73	MW-8709	Bracket	116	MW-5831	Roller Link
35	GM-120392	Washer	74	MW-4204	Bolt and Lockwasher	117	MW-5832	Offset Link

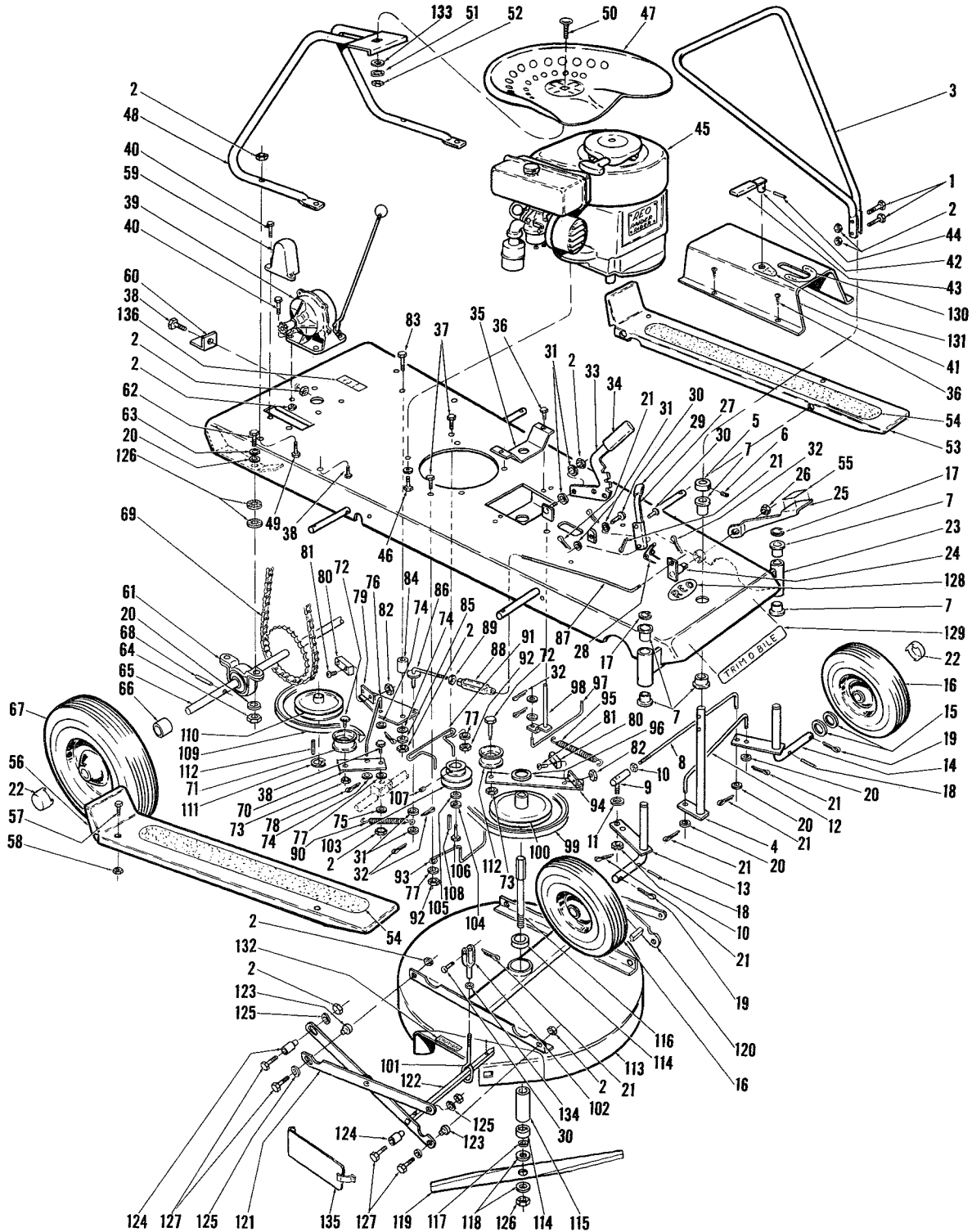
REO  
REO  
REO  
REO

25" RIDING ROTARY  
1963 PRODUCTION YEAR

# REO 4 CYCLE ENGINE

REO  
REO  
REO  
REO

## MODEL 425-L3



ORDER PARTS BY NUMBER ONLY ~ NOT BY INDEX NUMBER

ORDER PARTS FROM YOUR REO SERVICE DISTRIBUTOR

SEE PARTS LIST ON REVERSE SIDE

**REO MODEL 425-L3 RIDING ROTARY MOWER**  
 Order Parts by Part Number Only - Not Index Number

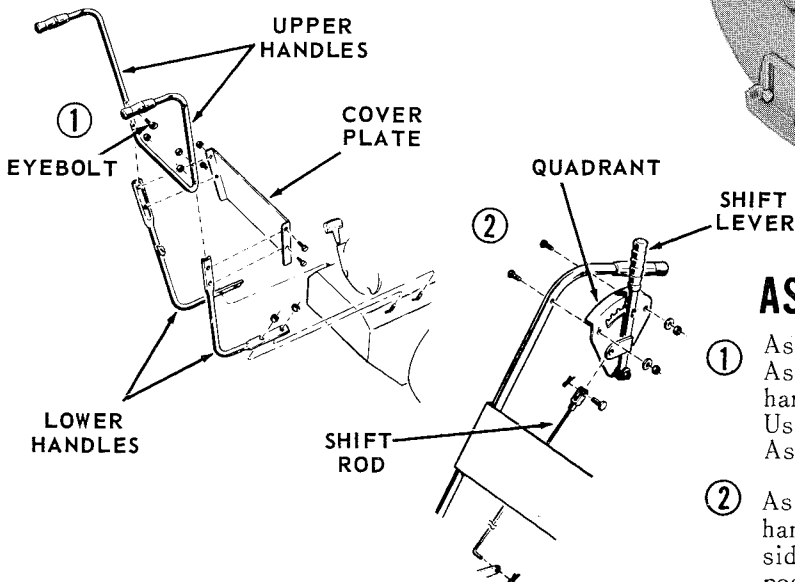
INDEX NUMBER	PART NUMBER	DESCRIPTION	INDEX NUMBER	PART NUMBER	DESCRIPTION	INDEX NUMBER	PART NUMBER	DESCRIPTION
1	GM-122033	Bolt	47	MW-1224	Seat	93	MW-8864	Belt Guide
2	MW-4649	Nut	48	MW-8887	Support	94	MW-8777	Arm (Idler)
3	MW-8831	Handle Bar	49	GM-122045	Bolt	95	MW-8835	Spring
4	MW-8786	Steering Shaft	50	GM-126475	Bolt	96	MW-6831	Washer
5	MW-8866	Collar	51	GM-131101	Washer	97	MW-8764	Rod
6	MW-4251	Set Screw	52	GM-120378	Nut	98	MW-8849	Lever
7	MW-5331	Bushing	53	MW-8799	Fender L.H.	99	MW-8862	Belt
8	MW-8838	Tie Rod	54	MW-8874	Mat	100	MW-8770	Pulley
9	MW-8951-4	Ball Joint	55	MW-8875	Pad	101	MW-8798	Eyebolt
10	GM-120369	Nut	56	MW-8800	Fender R.H.	102	GM-144242	Clevis
11	GM-120381	Washer	57	GM-121900	Screw	103	MW-8771	Pulley
12	MW-8839	Drag Link	58	MW-4647	Nut	104	MW-4351	Washer
13	MW-8820	Spindle Assembly R.H.	59	MW-8878	Chain Guard	105	MW-4352	Washer
14	MW-8819	Spindle Assembly L.H.	60	MW-8832	Hitch	106	GM-181636	Bolt
15	MW-4314	Washer	61	MW-8809	Bearing	107	MW-4263	Set Screw
16	MW-8016	Wheel (Front)	62	GM-120233	Bolt	108	GM-124546	Key
17	MW-4555	Retaining Ring	63	GM-120381	Washer	109	MW-8857	Belt
18	MW-4240	Roll Pin	64	GM-120377	Nut	110	MW-8859	Pulley
19	GM-108635	Cotter Pin	65	MW-8805	Axle	111	MW-4572	Ring
20	GM-120394	Washer	66	MW-8808	Spacer	112	GM-124549	Key
21	GM-121222	Cotter Pin	67	MW-8872	Wheel (Rear)	113	MW-8825	Blade Housing
22	MW-8865	Hub Cap	68	GM-9409684	Pin	114	MW-7536	Bearing
23	MW-8823	Frame Assembly	69	MW-8861	Chain	115	MW-8826	Spacer
24	MW-8779	Shaft	70	MW-8775	Idler Arm	116	MW-8772	Shaft
25	MW-6926	Pedal	71	MW-8821	Pulley	117	MW-4349	Washer
26	GM-124944	Nut	72	GM-122150	Bolt	118	MW-4350	Washer
27	MW-8797	Height Adjusting Detent	73	MW-4657	Nut	119	MW-6938	Blade
28	MW-8863	Spring	74	MW-4338	Washer	120	use 10472	Scissor Assembly L.H.
29	MW-8657	Grip	75	GM-446470	Washer	121	use 10472	Scissor Assembly R.H.
30	GM-120690	Pin	76	MW-8765	Rod	122	use 10472	Torsion Bar
31	GM-120393	Washer	77	GM-120392	Washer	123	MW-6984	Pivot
32	GM-119117	Cotter Pin	78	GM-112726	Cotter Pin	124	MW-6985	Pivot
33	MW-8796	Lever (Height Adjustment)	79	MW-8844	Brake Arm	125	GM-446470	Washer
34	MW-8504	Grip	80	MW-6837	Brake Shoe	126	GM-178571	Washer
35	MW-8847	Bracket	81	GM-160536	Bolt	127	GM-122033	Bolt
36	MW-4193	Screw	82	MW-4647	Nut	128	MW-8605	Decal (Reo)
37	GM-121887	Bolt	83	GM-122065	Bolt	129	MW-8603	Decal (Trimobile)
38	GM-122007	Bolt	84	MW-8781	Spacer	130	MW-8876	Decal (Blade Height)
39	MW-8858	Transmission	85	GM-446470	Washer	131	MW-8877	Decal (Blade Clutch)
40	GM-120228	Bolt	86	MW-8841	Rod (Rear)	132	MW-8622	Decal (Caution)
41	MW-8813	Panel	87	MW-8842	Rod (Front)	133	GM-131016	Washer
42	MW-8854	Handle	88	MW-8726	Yoke	134	GM-120368	Nut
43	MW-8504	Grip	89	GM-120376	Nut	135	GM-8690	Chute Cover Assembly
44	GM-9415236	Roll Pin	90	MW-8834	Spring	136	MW-8565	Decal (Shift)
45	MW-8737	Engine	91	MW-8837	Belt Retainer			
46	MW-4755	Bolt	92	MW-4647	Nut			

# PARTS LIST AND INSTRUCTIONS

# REO

WHEELHORSE PRODUCTS, INC. • SOUTH BEND, IND.

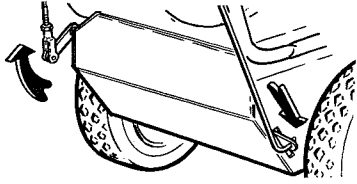
## SNOW THROW MODELS 626 ST 626 STE



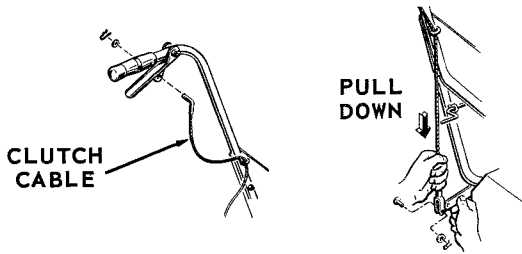
### ASSEMBLING UNIT • • •

- ① Assemble lower handles to unit with nuts provided. Assemble upper handles and cover plate to lower handles, place bolt through plate and both handles. Use eyebolt in upper left hole with eye to inside. Assemble nuts, and tighten securely.
- ② Assemble shift lever and quadrant to upper right handle. Attach shift rod to lever on the lower right side of unit. Place shift lever in the No. 4 forward position.

Grasp lever on lower left side of unit with the left hand and pull up. With the right hand, push down as far as possible on the lever on the lower right side of unit. Now release both levers. Lengthen or shorten shift rod by turning clevis so pin will slide into position easily. Reassemble shift rod to unit. Install and secure with retaining ring.

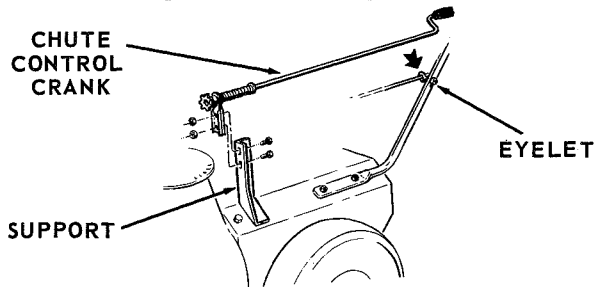


Disconnect lower end of clutch cable from unit if connected. With one hand, pull down on lower end of cable as far as possible.



With the other hand pull up on the clutch lever on lower left side of unit just enough to take up the play. At this point cable should be just long enough, so holes in clevis line up with hole in lever, if cable is too long or too short, adjust to proper length with clevis, leaving a little slack in cable. Pin should now slide in freely.

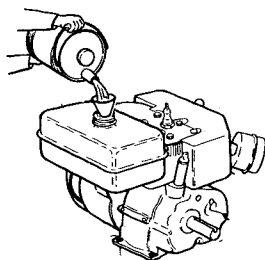
Assemble chute control crank through eyelet on lower left handle and attach the other end, with gear and bracket, to support which is welded to unit near the chute. Teeth of sprocket must engage squarely in holes at base of chute. Slotted holes in bracket are provided for this purpose.



## OIL and GASOLINE • • •

**DO NOT MIX OIL WITH GASOLINE.**

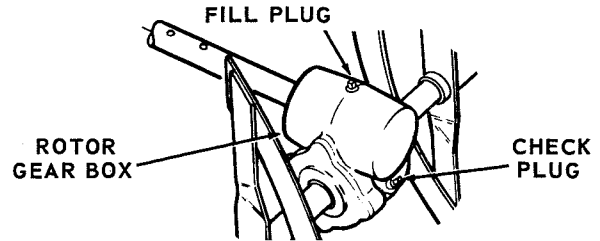
Fill gas tank with clean regular gasoline. Premium grade Ethyl is *not recommended*.



Fill crankcase with oil. #5w20 motor oil is recommended. Detergent oil and 10w30 all-season motor oils **ARE NOT RECOMMENDED**. Be sure unit is level, and fill up to (Full) mark on dip stick.

**CAUTION - DO NOT OVER FILL.**

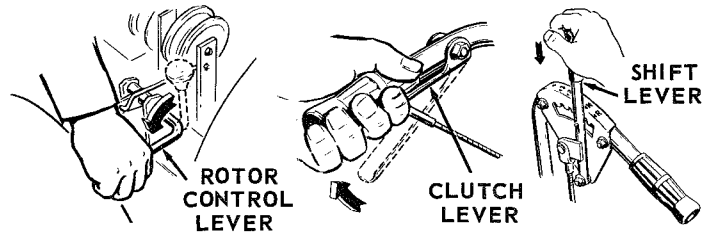
Remove oil check plug and fill plug. Fill rotor gear box with SAE #30 motor oil until oil runs out of check plug hole.



## SAFETY FIRST • • •

**BEFORE STARTING** fill crankcase with oil as outlined under (Oil and Gasoline).

For safe starting, first pull down rotor control lever, to disengage Rotor. Depress clutch lever, push down on handle of shift lever and place it in the neutral position. You are now ready to start the engine as outlined under "Starting".



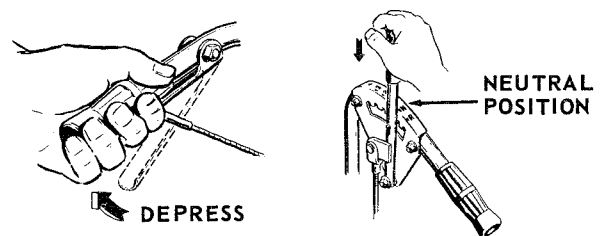
**NOTE:** When neutral position is desired, be sure lever is securely locked in this position.

To avoid accidents, **shut off engine** before adding gas or oil, before making adjustments, or inspections of any kind.

**CAUTION:** Never attempt to remove obstructions from the front of the unit, from the rotor, or the chute, until the engine has stopped and the rotor has stopped turning.

## STARTING • • •

**RECOIL STARTERS**



Grasp clutch lever and depress, with clutch lever depressed place shift lever in neutral position. Push down on rotor control lever to disengage.



## PRE-START:

1. Refuel engine with fresh winter blend regular gasoline from sealed container.
2. Place manual choke in full choke position.
3. Place throttle in run position.
4. Open fuel shut off valve on gas tank. (When equipped with shut off valve.)

## STARTING PROCEDURE:

1. Temperatures 10° F. and below use "M.T. Primer."

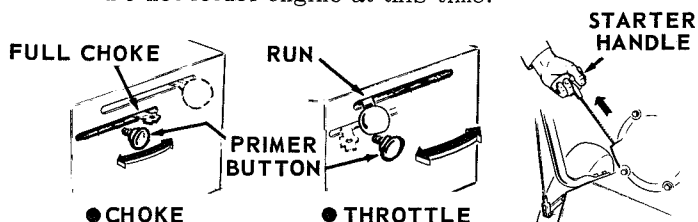
### A. To Prime Engine:

1. With primer button held in, pull engine slowly over compression once.
2. Release primer button.
2. To start, pull engine on compression, then pull starter handle quickly.
3. When engine starts, advance choke immediately to  $\frac{3}{4}$  choke position (first notch).
4. As the engine warms up advance to  $\frac{1}{2}$  choke and no choke position.

If engine falters return to  $\frac{1}{2}$  choke and repeat.

5. For final shut down, stop engine by closing fuel shut off valve on gas tank. (When equipped with shut off valve.)

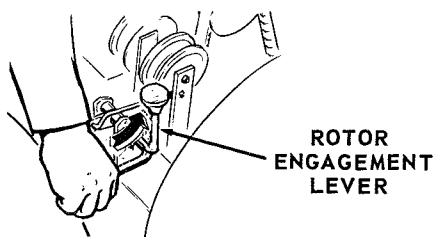
Do not refuel engine at this time.



## TO THROW SNOW ● ● ●

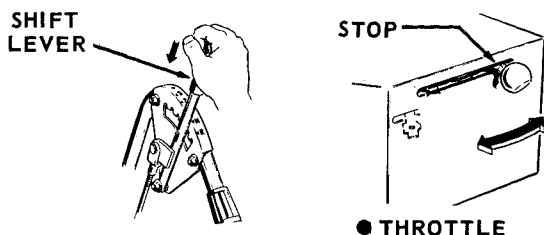
Place throttle lever in run position, pull up on rotor engagement lever to engage rotor, depress clutch lever and place shift lever in desired position. Release clutch lever slowly to avoid jerking.

**NOTE:** Clutch lever has to be depressed before changing speeds.



## TO STOP ENGINE ● ● ●

Place shift lever in the neutral position and slide throttle lever into the stop position, as far as possible.

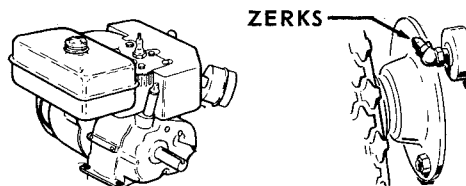


## MAINTENANCE and ADJUSTMENT ● ●

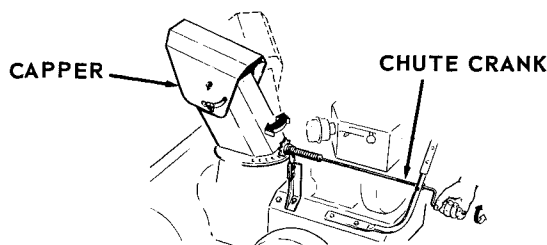
Drain and refill crankcase after the **FIRST** (2) hours of operation. Then drain and refill after each 25 hours of operation.

Check oil in gear box and crankcase each time unit is used.

Grease bearings, (zerks provided) each 10 hours of operation.



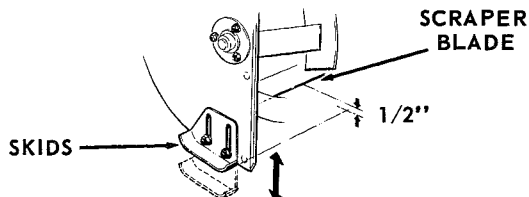
To change direction or distance of throw, turn chute crank accordingly. Move caper up or down, by loosening wing nuts, tighten nuts securely after adjustment.



To adjust clutch see instructions outlined under (Assembling Unit).

## TO ADJUST SKIDS — FIRST SHUT OFF ENGINE

FOR USE ON CONCRETE - adjust skids  $\frac{1}{2}$  inch lower than scraper blade. FOR USE ON GRAVEL - adjust skids one inch lower than scraper blade. NOTE: These adjustments move entire unit up or down.



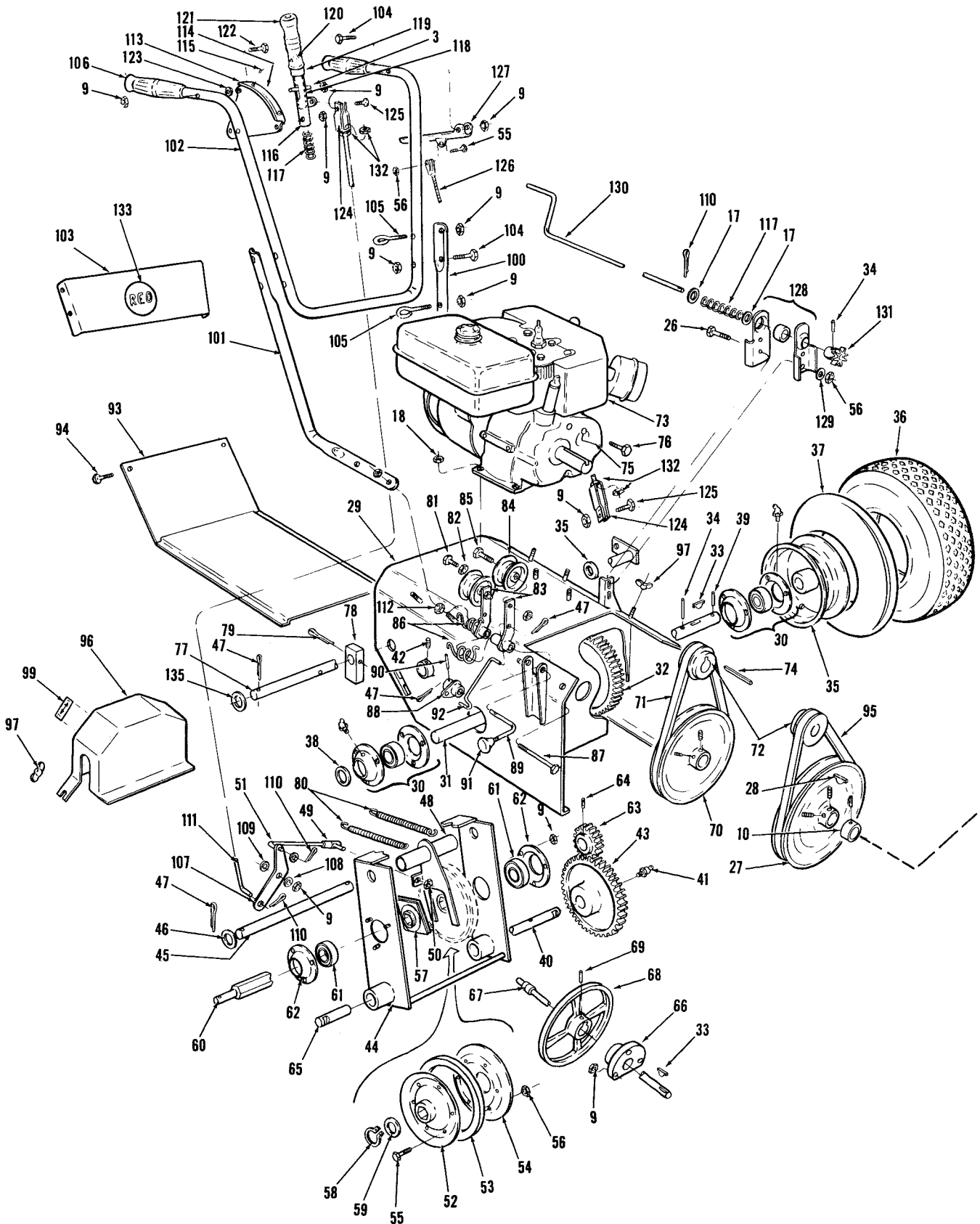
## TO ADJUST SCRAPER — FIRST SHUT OFF ENGINE

The blade is adjusted by 5 bolts which hold blade to chassis. Blade is located behind rotor. FOR USE ON CONCRETE - adjust blade  $\frac{1}{2}$  inch lower than rotor. FOR USE ON GRAVEL - adjust blade to level of rotor.

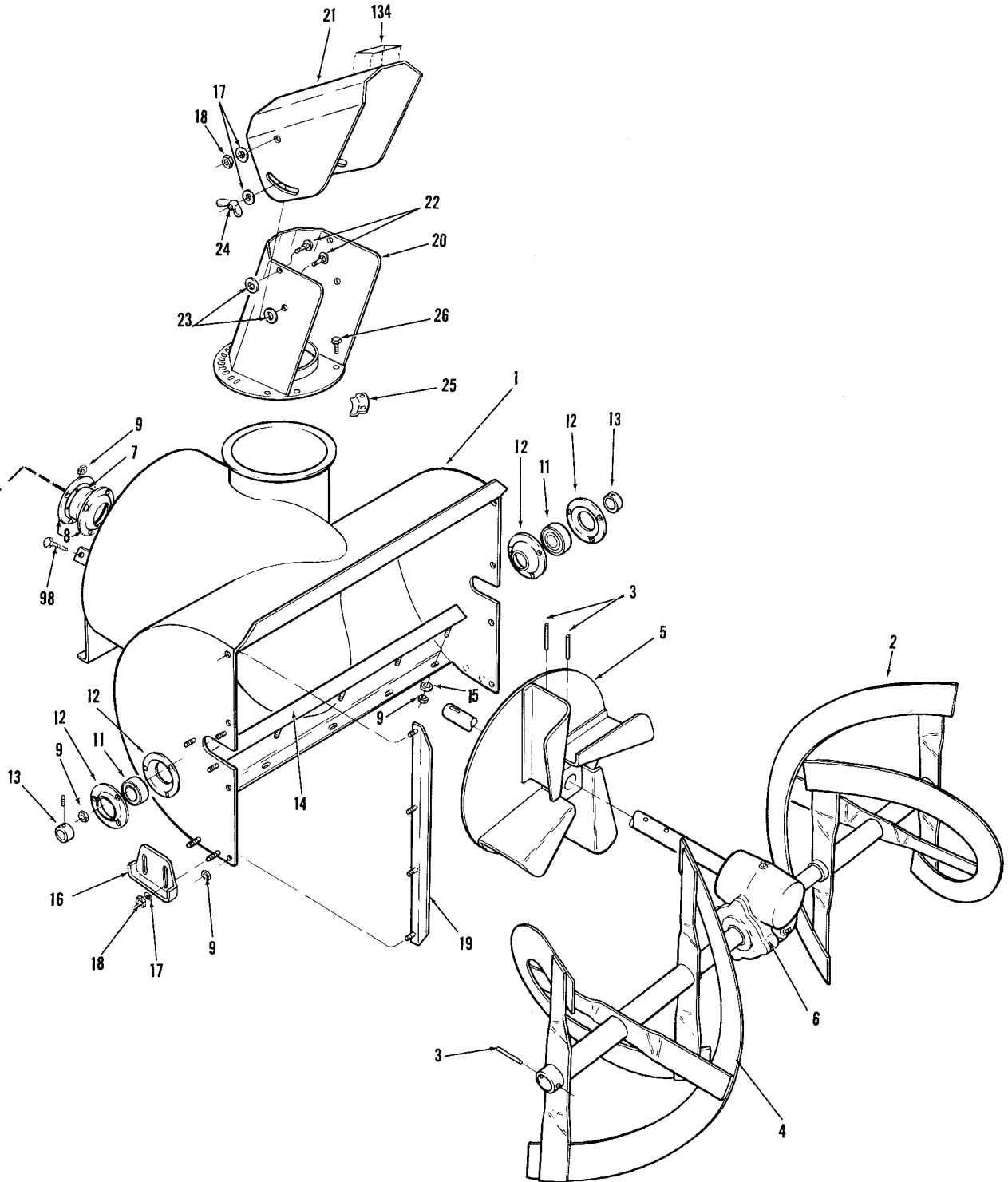
## STORING ● ● ●

Drain gas from tank. If the Snow Throw is stored for long periods, remove spark plug, pour in about two tablespoons of Motor Oil, replace spark plug and crank engine a few turns.

# REO SNOW THROW



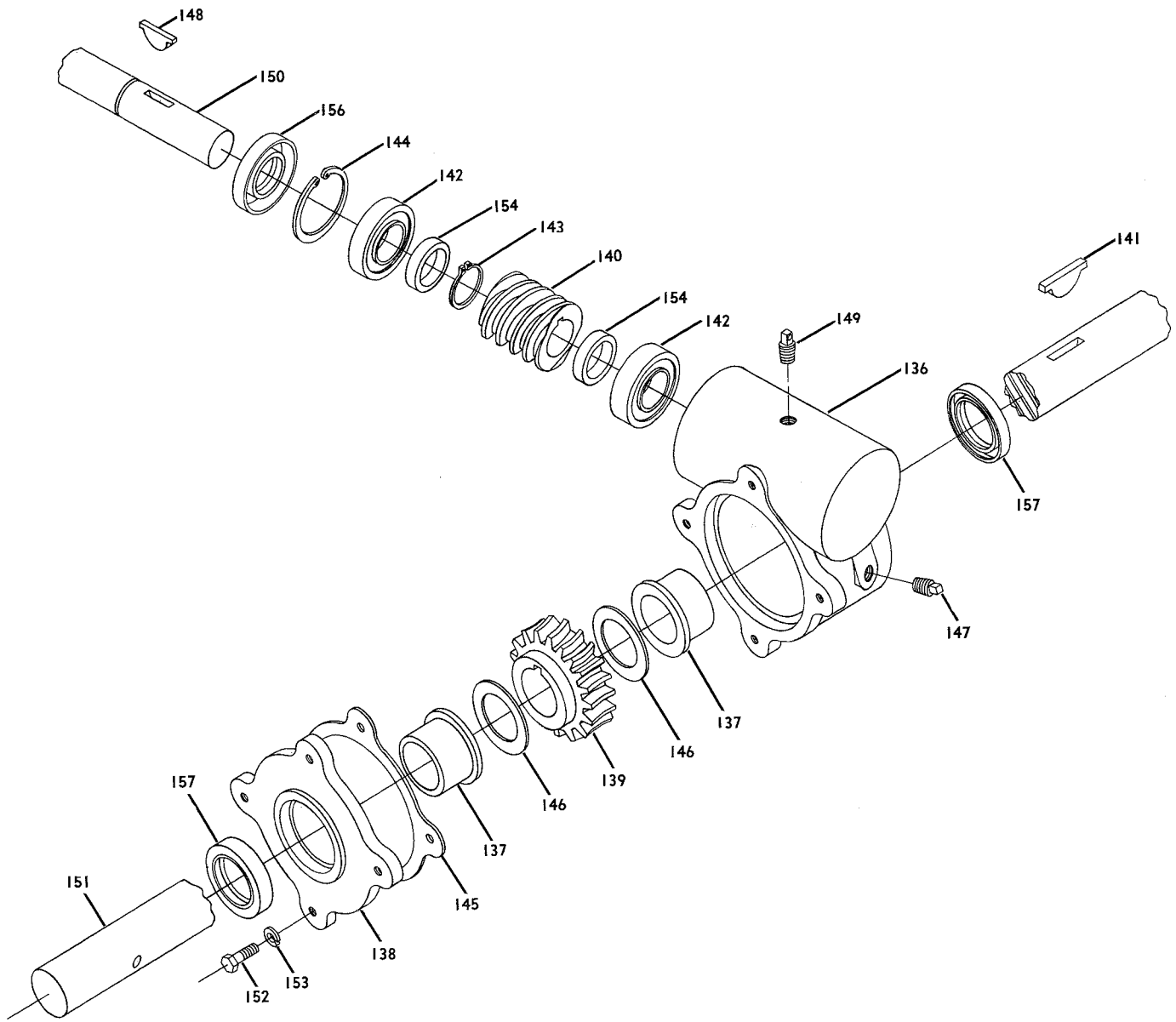
# MODELS 626 ST & 626 STE



## SNOW THROW MODEL 626 PARTS LIST

Index Numbers are for illustration purposes only. Use part numbers when ordering repair parts.

INDEX NUMBER	PART NUMBER	DESCRIPTION	INDEX NUMBER	PART NUMBER	DESCRIPTION		
	1	MW-10312	Housing Assembly	68	MW-8930	Disc	
	2	MW-10433	Rotor L.H.	69	GM-9414525	Roll Pin	
	3	GM-9409684	Pin	70	MW-10377	Pulley	
	4	MW-10434	Rotor R.H.	71	MW-10366	Belt	
	5	MW-10293	Impeller	72	MW-10401	Pulley	
	6	MW-10313	Gear Box Assembly	73	MW-10553	Engine	
	7	MW-10396	Bearing	74	MW-10304	Key	
	8	MW-10302	Flange	75	MW-10385	Belt Retainer	
	9	MW-8952-5	Nut	76	GM-423560	Screw & Lockwasher	
	10	MW-10398	Collar	77	MW-10338	Shaft	
	11	MW-10397	Bearing	78	MW-10337	Lever	
	12	MW-10303	Flange	79	GM-103409	Cotter Pin	
	13	MW-10399	Collar	80	MW-10391	Spring	
	14	MW-10512	Scraper Blade	81	GM-153771	Screw	
	15	GM-120393	Washer	82	GM-273801	Nut	
	16	MW-10507	Skid	83	MW-10280	Arm	
	17	GM-120394	Washer	84	MW-8821	Pulley	
	18	MW-8952-7	Nut	85	MW-10400	Bolt	
	19	MW-10310	Extension	86	MW-10292	Spring	
	20	MW-10340	Chute	87	GM-109443	Bolt	
	21	MW-10276	Deflector	88	MW-10528	Lever	
	22	GM-126227	Bolt	89	MW-10530	Handle	
	23	GM-120396	Washer	90	GM-9409650	Pin	
	24	MW-10449	Wing Nut	91	MW-7989	Knob	
	25	MW-10283	Chute Retainer	92	MW-10291	Link	
	26	MW-120854	Bolt	93	MW-10527	Pan	
	27	MW-10376	Pulley	94	GM-186491	Bolt	
	28	MW-4627	Key	95	MW-10367	Belt	
	29	MW-10275	Transmission Housing	96	MW-10548	Guard	
	30	MW-10490	Bearing	97	MW-8472	Wing Nut	
	31	MW-10301	Axle	98	GM-273773	Bolt	
	32	MW-8940	Gear	99	MW-10545	Decal (Rotor)	
	33	MW-4628	Key	100	MW-10294	Lower Handle L.H.	
	34	MW-4240	Roll Pin	101	MW-10295	Lower Handle R.H.	
35 thru	37	MW-10322	Wheel Assembly	102	MW-10284	Upper Handle	
	35	MW-10492	Rim	103	MW-10371	Panel	
	36	MW-10493	Tire	104	GM-122040	Bolt	
	37	MW-10494	Tube	105	MW-10556	Eyebolt	
	38	MW-4311	Washer	106	MW-10374	Grip	
	39	GM-9409683	Pin	107	MW-8915	Bellcrank	
	40	MW-10557	Shaft Assembly	108	MW-10482	Spacer	
	41	GM-9411025	Fitting	109	GM-120393	Washer	
	42	MW-4263	Set Screw	110	GM-177923	Cotter Pin	
	43	MW-8939	Gear	111	MW-10388	Control Rod	
44 thru	65	MW-10365	Friction Wheel & Support Assy.	112	MW-8953-5	Nut	
	44	MW-10473	Support	113 thru	121	MW-10535	Shift Control Assembly
	45	MW-8900	Shaft	113	MW-10554	Control Bracket	
	46	MW-4327	Washer	114	MW-10521	Selector Plate	
	47	GM-121222	Cotter Pin	115	GM-145379	Drive Screw	
	48	MW-10321	Fork	116	MW-10520	Lever	
	49	MW-8951-3	Ball Joint	117	MW-10523	Spring	
	50	MW-8952-6	Nut	118	MW-10489	Shaft	
	51	MW-8924	Link	119	MW-10488	Handle	
	52	MW-6896	Disc & Hub	120	GM-9409682	Pin	
	53	MW-6899	Tire	121	MW-10522	Grip	
	54	MW-6898	Disc	122	GM-122052	Bolt	
	55	GM-120854	Bolt	123	MW-4345	Washer	
	56	MW-8952-3	Nut	124	MW-10592	Clevis	
	57	MW-6901	Fibre Block	125	GM-122007	Bolt	
	58	MW-4558	Retaining Ring	126	MW-10560	Cable	
	59	MW-4344	Washer	127	MW-10386	Handle	
	60	MW-8899	Shaft	128	MW-10491	Bearing Assembly	
	61	MW-10686	Bearing	129	GM-120392	Washer	
	62	MW-6904	Retainer	130	MW-8936	Rod	
	63	MW-10485	Pinion	131	MW-8935	Sprocket	
	64	MW-4240	Roll Pin	132	GM-120368	Nut	
	65	MW-10418	Shaft	133	MW-10532	Decal (Reo)	
	66	MW-8923	Bearing Support	134	MW-10687	Decal (Caution)	
	67	MW-10282	Bearing & Shaft Assy.	135	MW-4326	Washer	



### PARTS LIST FOR ROTOR GEAR BOX ASS'Y.

When ordering parts always list Part No. and name of part.

Index No.	Part Number	Description
136	MW8869	Housing — Rotor Drive
137	MW5332	Bushing
138	MW8870	Cover — Rotor Drive
139	MW8941	Gear — Worm
140	MW8938	Worm
141	937168	Key — Hi - Pro No. HP-808 ( $\frac{1}{4} \times 1$ )
142	MW10458	Bearing — Ball
143	MW4555	Ring — Retaining External
144	MW4573	Ring — Retaining Internal
145	5326	Gasket
146	MW10327	Washer — Worm Gear Thrust

Index No.	Part Number	Description
147	GM219188	Plug — Oil Level
148	937159	Key — Hi - Pro No. HP-606 ( $\frac{3}{16} \times \frac{3}{4}$ )
149	MW10440	Plug — Vent
150	MW8895	Shaft — Impeller
151	MW8896	Shaft Rotor
152	908002-4	Bolt — Hex $\frac{1}{4}$ -20 x $\frac{5}{8}$
153	920081-4	Lockwasher $\frac{1}{4}$ Dia. SAE
154	MW8894	Spacer — Worm
156	MW10459	Seal — Oil
157	MW10390	Seal — Oil

# 6071 KIT

## Installation Instructions PREMATURE BELT FAILURE

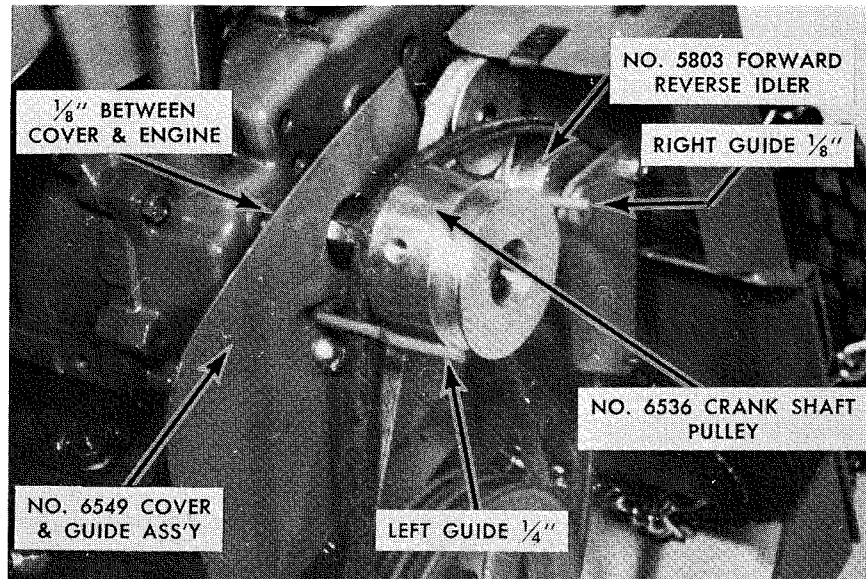


Photo I

### A. FORWARD AND REVERSE BELTS

1. The No. 6549 cover and guide assembly should be spaced approximately  $\frac{1}{8}$  inch from engine. If the guide assembly is mounted flush against the engine, remove and install two (2)  $\frac{5}{16}$  washers, No. 920038 behind the guide assembly on each screw, discard lock washers, tighten securely. (Photo 1)
2. Remove the two (2) No. 91511 nylok nuts and install slotted No. 6532 brackets (some

have slotted brackets) release No. 6533 spring to allow adjustment. (Photo 2)

3. Align No. 5803 forward and reverse idler pulley with No. 6536 crankshaft pulley, by moving clutch arm assembly, either forward or backwards, and secure nylok nuts. (Photo 1)
4. Inspect belt guides, with rotor clutch engaged. Right guide should be approximately  $\frac{1}{8}$  inch from belt, left guide approximately  $\frac{1}{4}$  inch. Adjust by bending guide to proper position.

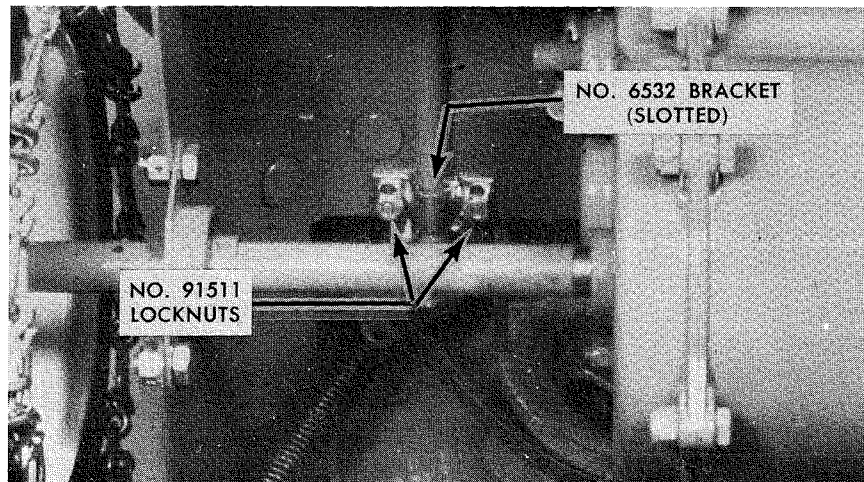


Photo II

### B. ROTOR BELT

1. Be sure large pulley No. MW-10376 is tight against No. 5269 flange mount bearings. (Photo 3)
2. Check alignment of No. MW-8821 idler pulley. (Photo 4)
3. Align as necessary using No. 908036 hex head

cap screw and No. 920009 washers provided. (Photo 3)

4. Remove No. 1486 spring.
5. Insert No. 932024 cotter pin in hole in weld pin with the eye of the cotter pin toward the center of the machine.
6. Install No. 6949 spring in cotter pin and idler bracket.

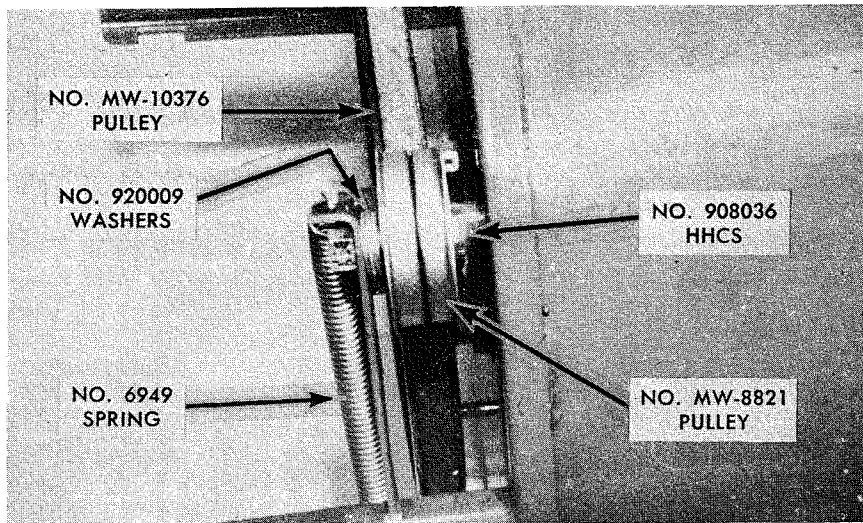


Photo III

**IMPORTANT:**

If belts show sign of wear, are cracked or frayed, it is recommended belts be replaced. If belts are replaced it is mandatory to remove (not bend) No. 6540 belt guide located under double groove pulley.

**C. REVERSE STOP**

During assembly of ST-267 snow thrower, the No. 5791 trunion stud should be adjusted on the No. 6544 clutch rod to allow approximately 3/4" between the handle and the No. 6545 control handle, when the control handle is in the forward position. This will

insure maximum speed and power in both directions. (Photo 4)

1. Remove top No. 908021 hex head cap screw, and No. 915662 elastic stop nut on right hand handle assembly. Discard No. 908021 hex head cap screw.
2. Insert No. MW-10556 eye bolt assembly from the left, and secure with No. 915662 elastic stop nut. (Photo 4)
3. Remove No. 933505 hair pin which secures the No. 6544 clutch rod to No. 6545 control handle.

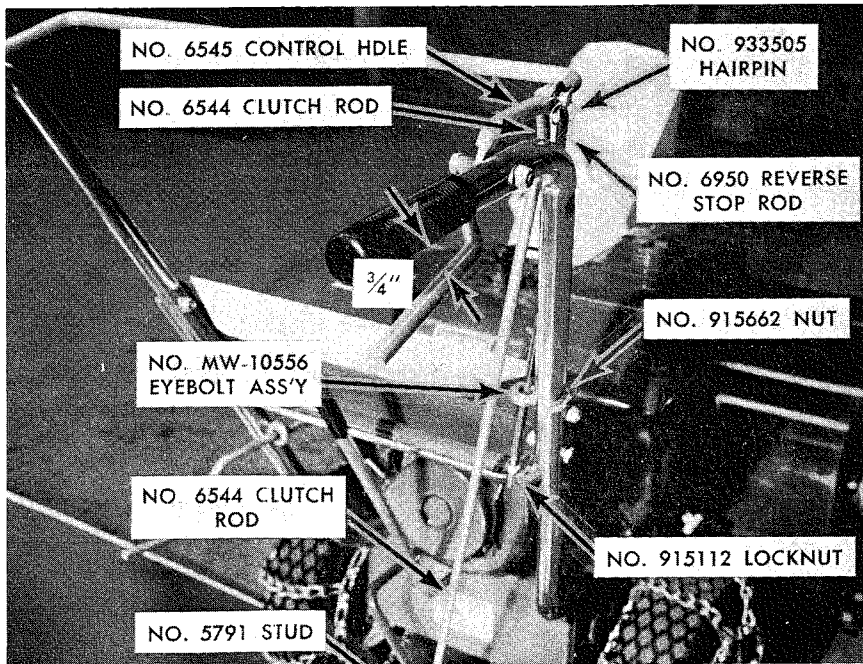


Photo IV

4. Install threaded part of No. 6950 reverse stop rod through eye bolt and slide opposite end on No. 6544 clutch rod. Re-install No. 933505 hair pin. (Photo 4)
5. With No. 6545 control handle pulled into reverse position, run No. 915112 nylok nut up on No. 6950 reverse stop rod until it makes contact with eye bolt. (**NOTE:** Control handle should be pulled only until reverse motion begins.)

**PARTS LIST**

Part No.	Description	Quantity
MW-10556	Eyebolt Assembly	1
6950	Rod - Reverse Stop	1
915112-6	Nut	1
6532	Bracket	1
908036-4	Bolt	1
920009-4	Washer	2
6949	Spring	1
932024-4	Cotter Pin	1

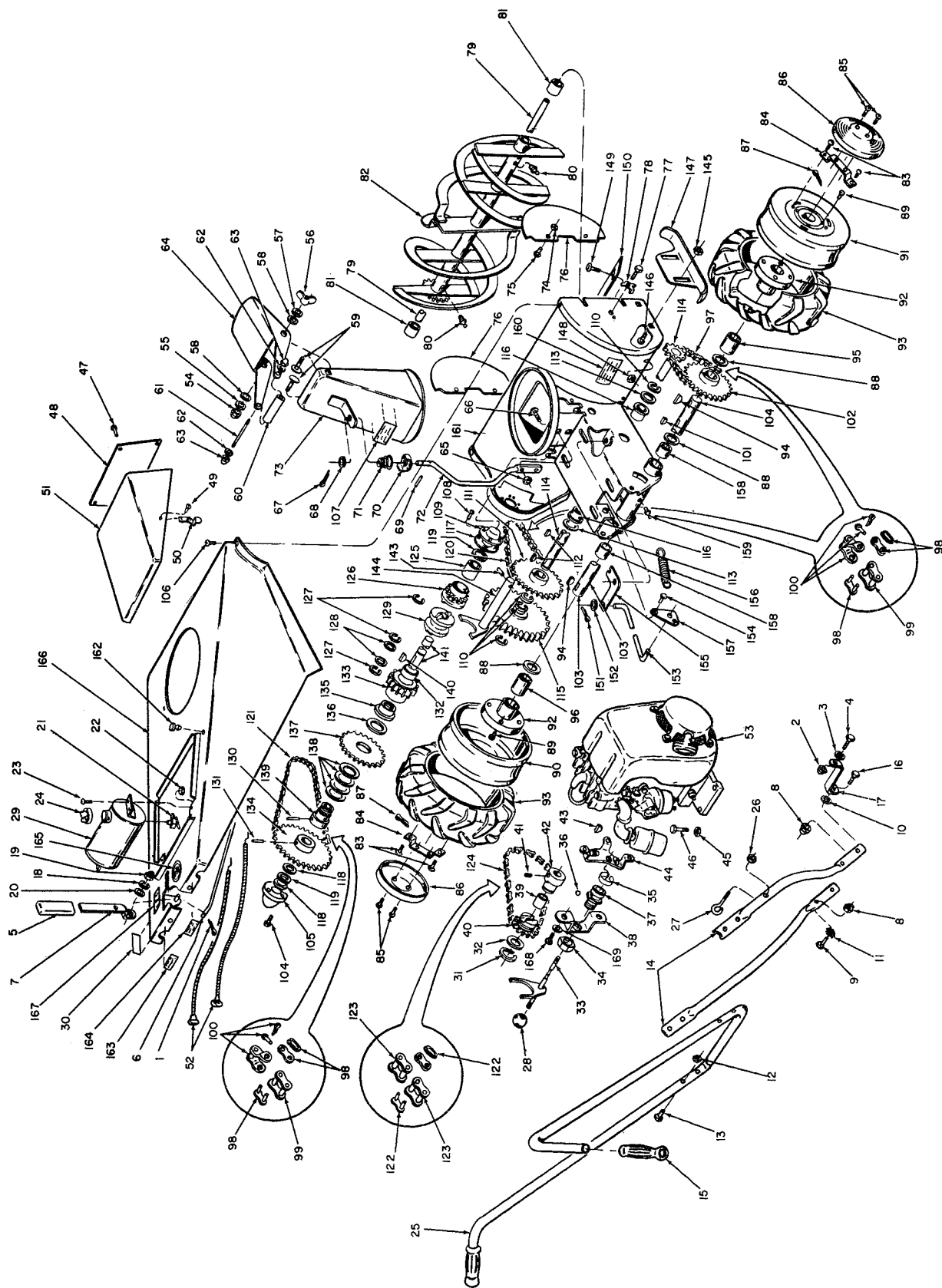
20" SNOWPLOW  
1963 PRODUCTION YEAR  
REO SNOW THROW  
MODEL 420ST-3

20" SNOWPLOW  
1963 PRODUCTION YEAR

# REO SNOW THROW

## MODEL 420ST-3

### SNOW THROW MODEL 420ST-3



ORDER PARTS FROM YOUR REO SERVICE DISTRIBUTOR

ORDER PARTS BY PART NUMBER ONLY...NOT BY INDEX NUMBER  
SEE PARTS LIST ON REVERSE SIDE



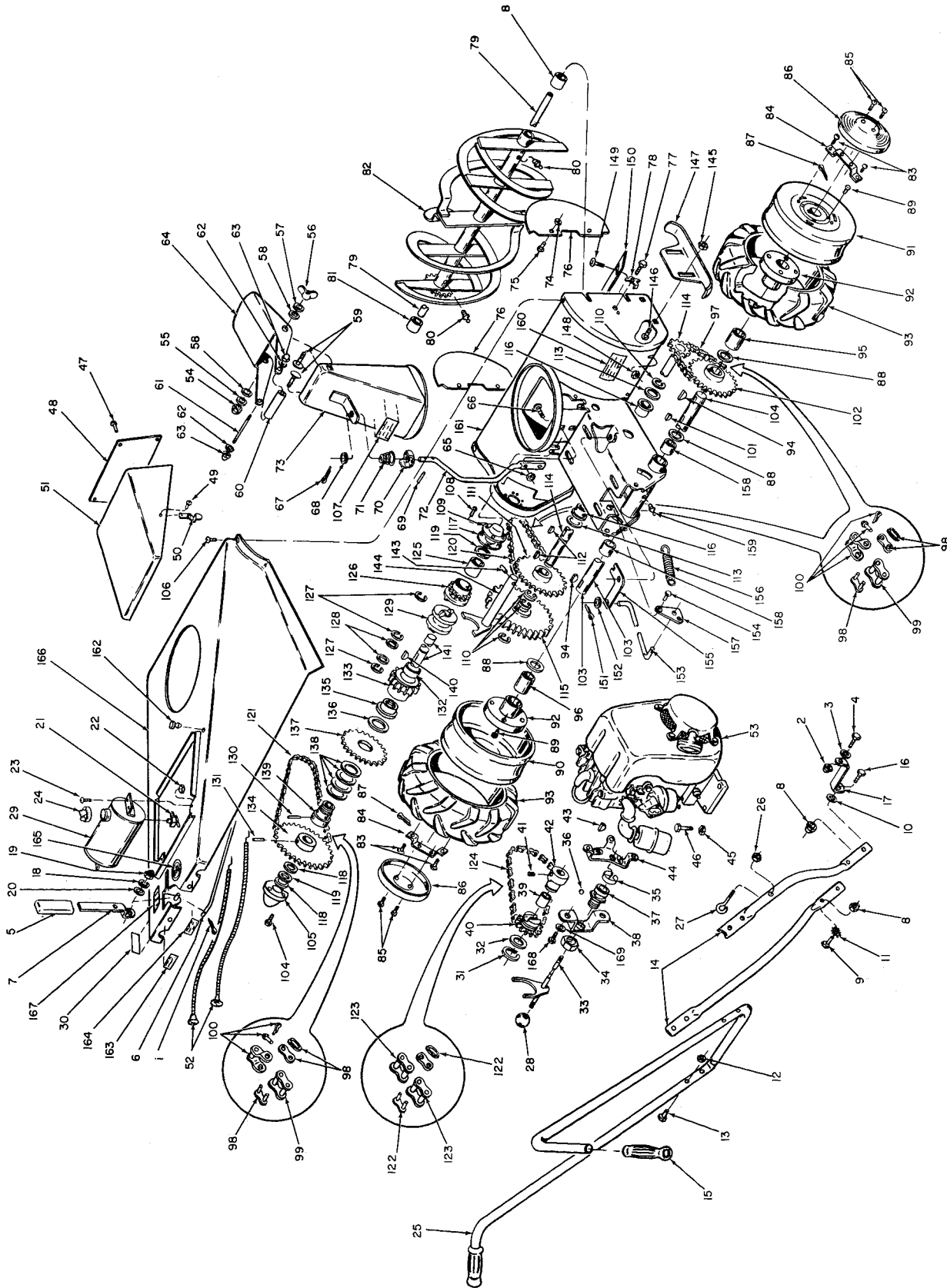
# MODEL 420ST-3 PARTS LIST

Index Numbers are for illustration purposes only. Use part numbers when ordering repair parts.

ITEM NUMBER	PART NUMBER	DESCRIPTION	ITEM NUMBER	PART NUMBER	DESCRIPTION	ITEM NUMBER	PART NUMBER	DESCRIPTION
1	GM-121222	Pin	59	GM-126211	Bolt	116	MW-2364	Bearing
2	MW-4647	Nut	64	MW-8169	Copper Assy.	117	MW-3009	Nut
3	MW-4301	Washer	60	MW-8171	Handle	118	MW-4337	Washer
4	107763	Bolt	61	MW-8206	Rod	119	MW-4451	Washer
5	MW-8504	Grip	62	GM-114603	Lockwasher	120	MW-8522	Jackshaft Chain
6	MW-8460	Rod - Shift	63	GM-131402	Nut	121	MW-8521	Rotor Chain
7	MW-8456	Handle	64 use	MW-8169	Copper	122	MW-562	Connecting Link
8	GM-443333	Nut	65	MW-4649	Nut	123	MW-2016	Engine Chain
9	GM-126216	Bolt	66	GM-126211	Pin	124	MW-6798	Engine Chain
10	GM-120394	Washer	67	GM-456723	Pin	125	MW-8443	Jackshaft Assy.
11	GM-178571	Lockwasher	68	MW-4326	Washer	126	MW-5326	Clutch Assy.
12	MW-4649	Nut	69	MW-4234	Pin	126 use	MW-8443	Bearing
13	GM-122040	Bolt	70	MW-6363	Detent	127	MW-8446	Clutch
14	MW-8164	Lower Handle	71	MW-5228	Spring	128	MW-4554	Ring
15	MW-8503	Grip	72	MW-7737	Support	129	MW-4309	Washer
16	117027	Bolt	73	MW-8167	Chute	129	MW-8444	Clutch Driver
17	MW-8154	Bracket	74	MW-4647	Nut	130	GM-453670	Pin
18	GM-120393	Washer	75	GM-110356	Bolt	131	MW-4238	Pin
19	MW-4662	Nut - Accorn	76	MW-2390	Plate	132	MW-8446	Reverse Drive Gear Assy.
20	MW-4414	Washer	77	GM-425599	Bolt	133	MW-5326	Bearing
21	MW-8203	Shut-off Valve	78	MW-4517	Washer	133 use	MW-8446	Drive Gear
22	MW-4643	Nut	79	MW-2413	Shaft	134	MW-6634	Sprocket
23	107894	Screw	80	MW-2404	Rotor Assy.	135 thru	MW-7790	Sprocket Assy.
24	MW-7309	Tank Cap	80,81,82	MW-1455	Fitting	135	MW-7789	Nut
25	MW-8165	Upper Handle	81	MW-2412	Bearing	136	MW-4402	Washer
26	MW-4649	Lock Nut	82 use	MW-2404	Bracket	137	MW-6788	Sprocket
27	MW-8425	Eye Bolt	83	MW-4198	Screw	138	MW-10173	Hub
28	MW-8502	Fuel Tank	84	MW-7525	Screw	139	MW-7788	Disc
29	MW-8156	Ring	85	GM-449721	Screw	140	MW-4625	Washer
30	MW-8511	Decal	86	MW-8160	Cap	141	MW-8437	Pin
31	MW-4557	Washer	87	GM-187988	Pin	143,144	MW-8455	Yoke Assy.
32	MW-4320	Yoke Assy.	88	MW-4314	Washer	144 use	MW-4232	Pin
33	MW-8513	Yoke	89,90,92,93	MW-8194	Wheel Assy. Left.	145 thru	MW-8453	Yoke
34	MW-4660	Lock Nut	91 use	GM-104083	Wheel Assy. Right	146	MW-8471	Chassis Assy.
35	MW-3669	Spring	90 use	MW-8194	Rivet	145	MW-4647	Nut
36	GM-169108	Ball	91 use	MW-8195	Wheel Left	146	GM-126203	Nut
37	MW-8435	Stud	92	MW-8193	Wheel Right	147	MW-8285	Skid
38	MW-8501	Sup port	93	MW-2419	Hub	148	MW-4647	Nut
39,40	MW-3658	Sprocket Assy.	94	GM-106751	Tire	149	GM-110356	Bolt
40 use	MW-3660	Bearing	95	MW-8183	Spacer Right	150	GM-2388	Scraper
41	MW-4264	Screw	96	MW-8439	Axle Chain	151	GM-121222	Pin
42	MW-8428	Drive	97	MW-8525	Connecting Link	152	GM-120392	Washer
43	MW-10006	Key	98	MW-9676	Roller Link	153	MW-2397	Rod
44	MW-8499	Bracket	99	MW-9677	Offset Link	154	MW-2396	Pin
45	MW-4649	Nut	100	MW-9678	Key	155	MW-6351	Bellcrank
46	GM-122033	Bolt	101	GM-106751	Key	156	MW-8458	Spring
47	MW-8508	Hood Assy.	102	MW-874	Sprocket	157	MW-8457	Link
48	MW-4199	Screw	103	MW-8441	Axle	158	MW-173	Bearing
49	107854	Front Panel	104	MW-4194	Screw	159	MW-1455	Fitting
50	MW-8175	Rivet	105	MW-3497	Bearing & Cup	160	MW-8379	Model No. Decal
51	MW-8505	Hood	106	MW-4193	Screw	161 use	MW-8471	Chassis
52	MW-8469	Choke & Throttle Cable	107	MW-8509	Chute Decal	162 thru	MW-8463	Cover Assy.
53	MW-8396	Engine	108	MW-4753	Bearing & Cup	163	MW-8155	Rubber Bumper
54	MW-4649	Nut	109	MW-3010	Ring	164	MW-8562	Throttle Decal
55	MW-4305	Washer	110	MW-4554	Sprocket	165	MW-8493	Reo Decal
56	GM-142745	Washer	111	MW-8451	Key	166 use	MW-8463	Cover
57	GM-136857	Washer	112	GM-106749	Washer	167	MW-8561	Shift Decal
58	MW-4355	Washer	113	MW-4309	Shaft & Sprocket	168	GM-120706	Bolt
			114	MW-8452	Gear (Reverse)	169	GM-121637	Lockwasher

# SNOW THROW

## model 485-4



ORDER PARTS BY PART NUMBER ONLY...NOT BY INDEX NUMBER  
SEE PARTS LIST ON REVERSE SIDE

# MODEL 485-4 PARTS LIST

Index Numbers are for illustration purposes only. Use part numbers when ordering repair parts.

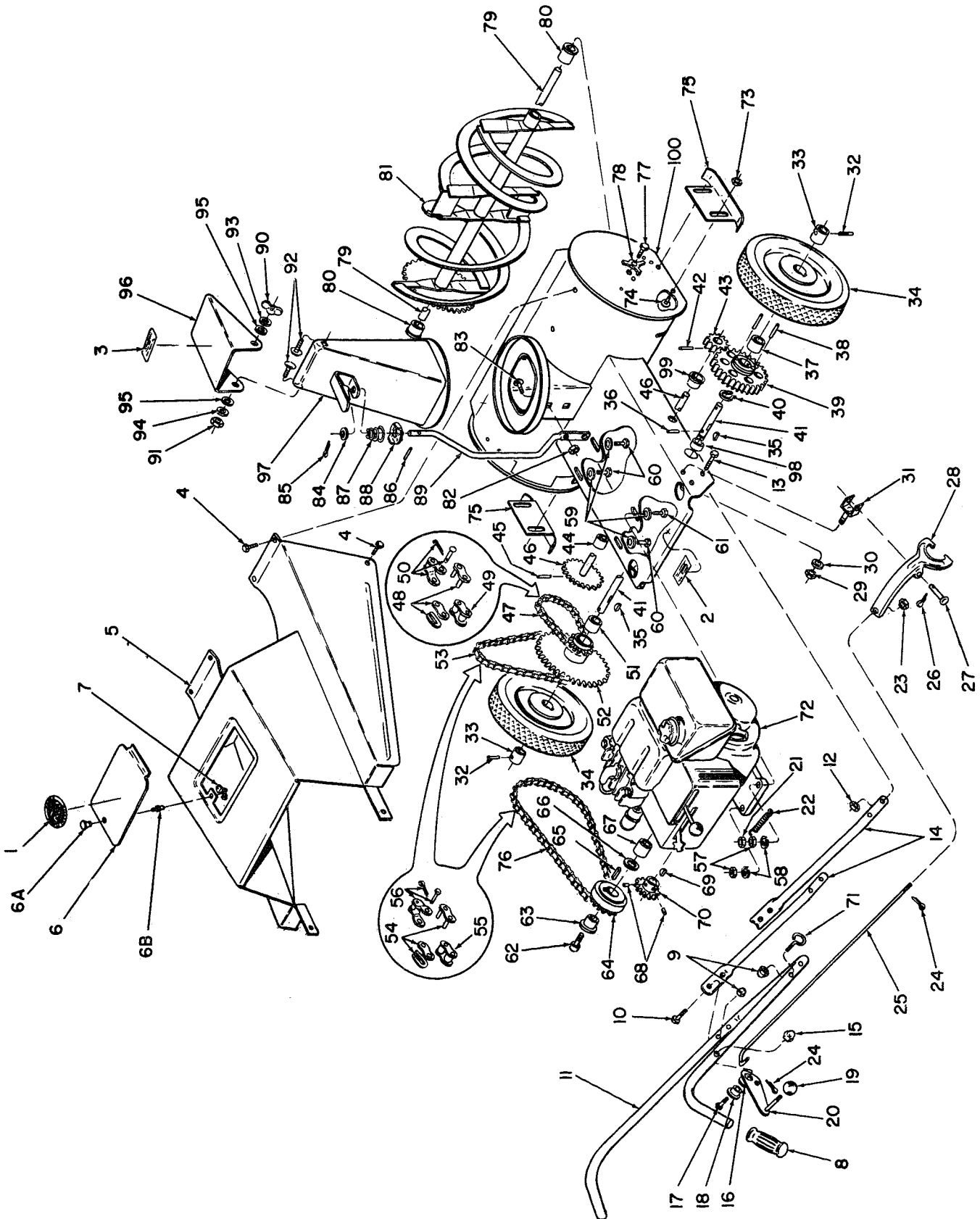
ITEM NUMBER	PART NUMBER	DESCRIPTION	ITEM NUMBER	PART NUMBER	DESCRIPTION	ITEM NUMBER	PART NUMBER	DESCRIPTION
1	GM-121222	Pin	59	GM-126211	Bolt	116	PL-2364	Bearing
2	PL-4647	Nut	64	PL-8169	Copper Assy.	117	PL-3009	Nut
3	PL-4301	Washer	60	PL-8171	Handle	118	PL-4337	Washer
4	107763	Bolt	61	PL-8206	Rod	119	PL-4451	Washer
5	PL-8504	Grip	62	GM-114603	Lockwasher	120	PL-8522	Lockwasher
6	PL-8460	Rod - Shift	63	GM-131402	Nut	121	PL-8521	Pin
7	PL-8456	Handle	64 use	PL-8169	Copper	122	PL-562	Pin
8	GM-443333	Nut	65	PL-4649	Nut	123	PL-2016	Pin
9	GM-126216	Bolt	66	GM-126211	Bolt	124	PL-6798	Pin
10	GM-120394	Washer	67	GM-456723	Pin	125 thru 141	PL-8447	Engine Chain
11	GM-178571	Lockwasher	68	PL-4326	Washer	125	PL-8443	Clutch Assy.
12	PL-4649	Nut	69	PL-4234	Pin	125, 126	PL-5326	Bearing
13	GM-122040	Bolt	70	PL-6363	Pin	125 use	PL-8443	Clutch
14	PL-8164	Lower Handle	71	PL-5228	Detent	126 use	PL-8443	Ring
15	PL-8503	Grip	72	PL-7737	Spring	127	PL-4554	Washer
16	117027	Bolt	73	PL-8167	Support	128	PL-4309	Clutch Driver
17	PL-8154	Bracket	74	PL-4647	Chute	129	PL-8444	Pin
18	GM-120393	Washer	75	GM-110356	Nut	130	GM-453670	Pin
19	PL-4662	Nut - Acorn	76	PL-2990	Bolt	131	PL-4238	Reverse Drive Gear Assy.
20	PL-4414	Washer	77	GM-425599	Plate	132, 133	PL-8446	Bearing
21	PL-8203	Shut-off Valve	78	PL-4517	Washer	132	PL-5326	Drive Gear
22	PL-4643	Nut	79	PL-2413	Shaft	133 use	PL-8446	Sprocket
23	107894	Screw	80, 81, 82	PL-2404	Rotor Assy.	134	PL-6634	Sprocket Assy.
24	PL-7309	Tank Cap	80	PL-1455	Fitting	134	PL-7790	Nut
25	PL-8165	Upper Handle	81	PL-2412	Bearing	135	PL-7789	Washer
26	PL-4649	Lock Nut	82 use	PL-2404	Rotor	135	PL-4402	Disc
27	PL-8425	Eye Bolt	83	PL-4198	Screw	136	PL-6788	Washer
28	PL-8502	Knob	84	PL-7525	Bracket	137	PL-10173	Sprocket
29	PL-8156	Fuel Tank	85	GM-449721	Screw	138	PL-7788	Hub
30	PL-8511	Decal	86	PL-8160	Cap	140	PL-4625	Key
31	PL-4557	Ring	87	GM-187988	Pin	141	PL-8437	Jackshaft
32	PL-4320	Washer	88	PL-4314	Washer	144	PL-8455	Yoke Assy.
33 thru 38	PL-8513	Yoke Assy.	89, 90, 92, 93	PL-8194	Wheel Assy. Left.	144 use	PL-4232	Pin
33	PL-8514	Yoke Assy.	91	PL-8195	Wheel Assy. Right	145 thru 161	PL-8471	Chassis Assy.
34	PL-4660	Lock Nut	90 use	GM-104083	Rivet	145	PL-4647	Nut
35	PL-3669	Spring	95	PL-8183	Spacer Right	146	GM-126203	Bolt
36	GM-169108	Ball	96	PL-8439	Spacer Left	147	PL-8285	Skid
37	PL-8435	Stud	97	PL-9677	Axle Chain	148	PL-4647	Nut
38	PL-8501	Support	98	PL-9676	Connecting Link	149	GM-110356	Bolt
39, 40	PL-3658	Sprocket Assy.	99	PL-8525	Roller Link	150	PL-2388	Scraper
39	PL-3650	Bearing	99 use	GM-106751	Key	151	GM-121222	Pin
40 use	PL-3658	Sprocket	95	PL-8183	Spacer Right	152	GM-120392	Washer
41	PL-4264	Screw	96	PL-9677	Roller Link	153	PL-2397	Rod
42	PL-8428	Drive	97	PL-9676	Connecting Link	154	PL-2396	Pin
43	PL-10006	Key	98	PL-9676	Connecting Link	155	PL-6351	Bellcrank
44	PL-8499	Bracket	99	PL-9677	Roller Link	156	PL-8458	Spring
45	PL-4649	Nut	100	GM-106751	Key	157	PL-8457	Link
46	GM-122033	Head Assy.	101	PL-874	Sprocket	158	PL-173	Bearing
47	PL-4199	Screw	102	PL-8441	Axle	158	PL-173	Fitting
48	PL-8506	Front Panel	103	PL-4194	Bearing & Cup	159	PL-1455	Model No. Decal
49	107854	Rivet	104	PL-3497	Bearing & Cup	160	PL-8379	Model No. Decal
50	PL-8175	Latch	105	PL-4193	Screw	161 use	PL-8471	Chassis
51	PL-8505	Hood	106	PL-8509	Chute Decal	162 thru 167	PL-8463	Cover Assy.
52	PL-8469	Choke & Throttle Cable	107	PL-4753	Screw	162	PL-8155	Rubber Bumper
53	PL-8396	Engage Nut	108	PL-3010	Bearing & Cup	163	PL-8495	Throttle Decal
54	PL-4649	Washer	109	PL-4554	Ring	164	PL-8496	Choke Decal
55	GM-142745	Wingnut	110	GM-106749	Key	165	PL-8552	Decal (Brand Name)
56	GM-136857	Washer	111	PL-4309	Washer	166 use	PL-8463	Cover
57	PL-4352	Washer	112	PL-4309	Washer	167	GM-120706	Shift Decal
58	PL-4355	Washer	113	PL-8448	Shaft & Sprocket Gear (Reverse)	168	GM-121637	Bolt
			114			169		Lockwasher
			115					

17" SNOWPLOW  
1963 PRODUCTION YEAR

# REO SNOW THROW

MODEL 417ST-3

## SNOW THROW MODEL 417ST-3



ORDER PARTS FROM YOUR REO SERVICE DISTRIBUTOR

ORDER PARTS BY PART NUMBER ONLY...NOT BY INDEX NUMBER  
SEE PARTS LIST ON REVERSE SIDE

# MODEL 417 ST-3 PARTS LIST

Index Numbers are for illustration purposes only. Use part numbers when ordering parts.

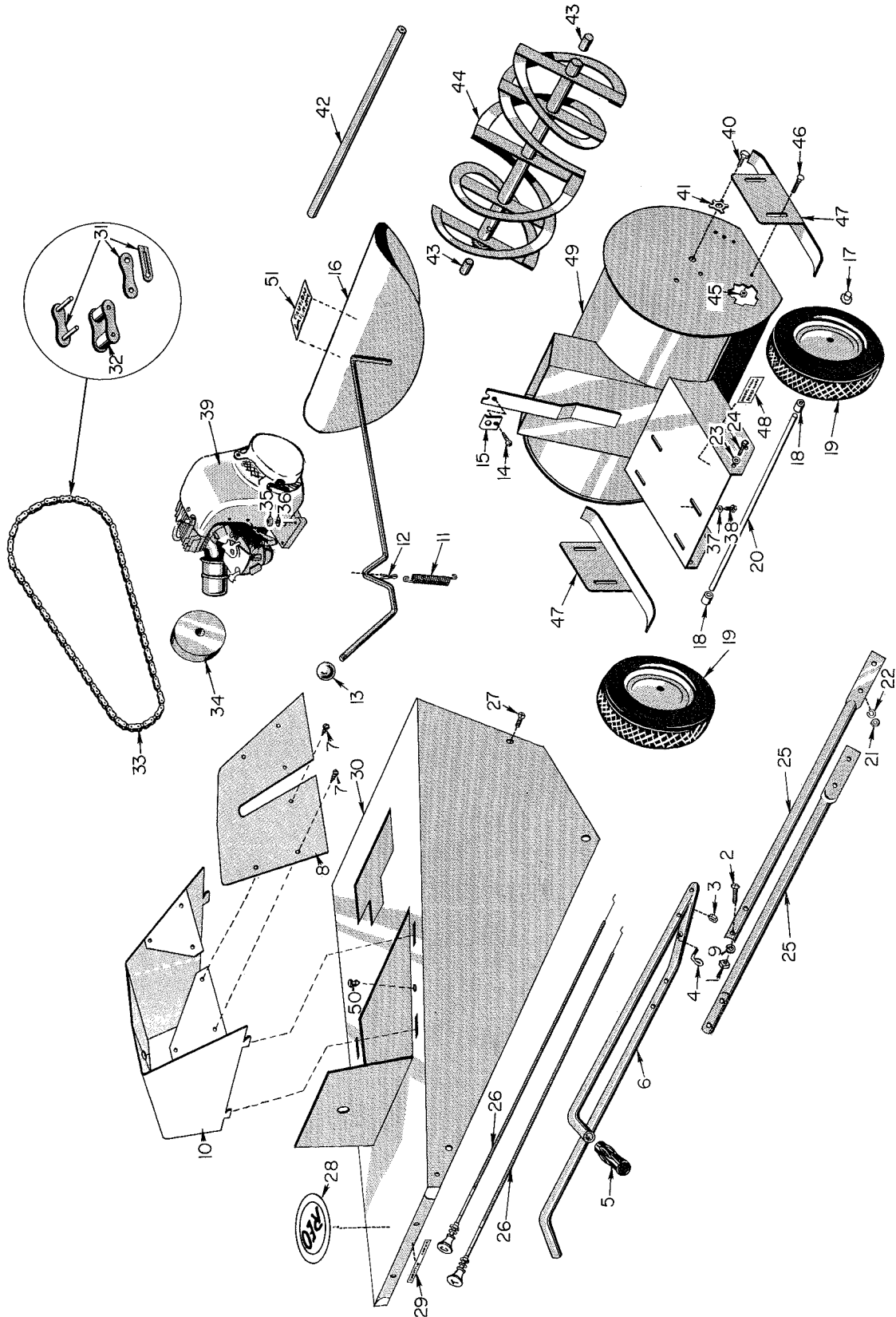
INDEX NUMBER	PART NUMBER	DESCRIPTION	INDEX NUMBER	PART NUMBER	DESCRIPTION
1	MW-8493	Decal (Reo)	50	MW-5832	Offset Link
2	MW-8380	Decal (Serial & Model No.)	51 and 52	MW-8404	Sprocket Assembly
3	MW-8378	Decal (Warning)	51	GM-449	Bushing
4	MW-4202	Screw	52 use	MW-8404	Sprocket
5 thru 7	MW-8477	Shroud Assembly	53	MW-8411	Chain
6	MW-8479	Shroud	54	MW-9676	Connecting Link
6A	MW-8526	Access Panel	55	MW-9677	Roller Link
6B	MW-8527	Knob	56	MW-9678	Offset Link
7	MW-8528	Ball Stud	57	GM-120376	Nut
8	MW-8503	Spring Catch	58	107055	Washer
9	GM-131421	Grip	59	GM-120393	Washer
10	GM-122027	Nut (acorn)	60	GM-122040	Bolt
11	MW-8416	Bolt	61	GM-122045	Bolt
12	MW-4649	Handle (upper)	62	MW-8333	Capcrew
13	MW-4649	Lock Nut	63	MW-8329	Retainer
14	MW-8381	Bolt	64	MW-8332	Clutch
15	GM-131421	Handle (lower)	65	MW-8331	Key
16	GM-120393	Nut (acorn)	66	MW-4409	Washer (spring)
17	GM-122040	Washer	67	MW-8328	Sleeve
18	MW-8374	Bolt	68	MW-4261	Setcrew
19	MW-8502	Spacer	69	GM-103905	Key
20	MW-8418	Knob	70	MW-8403	Sprocket
21	MW-4649	Lever	71	MW-8425	Eyebolt
22	MW-8364	Locknut	72	MW-8335	Engine
23	MW-4647	Spring	73	MW-4647	Lock Nut
24	GM-119117	Locknut	74	GM-110356	Bolt
25	MW-8426	Cotter Pin	75	MW-8285	Skid
26	GM-112726	Clutch Rod	76	MW-8356	Chain (rotor)
27	MW-8415	Clutch Pin	77	GM-425599	Bolt
28	MW-8412	Clevis Pin	78	MW-4517	Washer (tab lock)
29	MW-8412	Yoke	79	MW-8345	Shaft
30	GM-120376	Nut	80 and 81	MW-8343	Rotor Assembly
31	MW-8414	Washer	80	MW-2412	Bushing
32	MW-4240	Bracket	81 use	MW-8343	Rotor
33	MW-8354	Roll Pin	82	MW-4649	Lock Nut
34	MW-8287	Collar	83	GM-126211	Bolt
35	GM-218217	Wheel	84	MW-4326	Washer
36	MW-4233	Key	85	GM-456723	Cotter Pin
37, 38, 39	MW-8475	Roll Pin	86	MW-4234	Roll Pin
37	MW-5328	Gear Assembly	87	MW-5228	Spring
38	MW-4235	Bushing	88	MW-6363	Detent
39	MW-8475	Roll Pin	89	MW-8473	Support
40	MW-4572	Gear	90	MW-8472	Wing Nut
41	MW-8350	Ring	91	MW-4649	Lock Nut
42	MW-4240	Axle	92	GM-126211	Bolt
43	MW-8351	Roll Pin	93	GM-136857	Washer
44	MW-8327	Pinion	94	MW-4305	Washer
45 and 46	MW-8348	Spacer	95	MW-4355	Washer
46 use	MW-8348	Jackshaft Assembly	96	MW-7738	Capper
47	MW-6863	Roll Pin	97	MW-7740	Chute
48	MW-5830	Jackshaft	98, 99, 100	MW-8359	Housing Assembly
49	MW-5831	Chain	99	MW-5327	Bushing (axle)
		Connecting Link	100 use	MW-8323	Bushing (jackshaft)
		Roller Link		MW-8359	Housing

**SNOW THROW MODEL 415ST-3**

15" SNOWPLOW  
1963 PRODUCTION YEAR

**REO SNOW THROW**

**MODEL 415ST-3**



ORDER PARTS FROM YOUR REO SERVICE DISTRIBUTOR

ORDER PARTS BY PART NUMBER ONLY...NOT BY INDEX NUMBER  
SEE PARTS LIST ON REVERSE SIDE

## MODEL 415ST-3 PARTS LIST

Index Numbers are for illustration purposes only. Use part numbers when ordering repair parts.

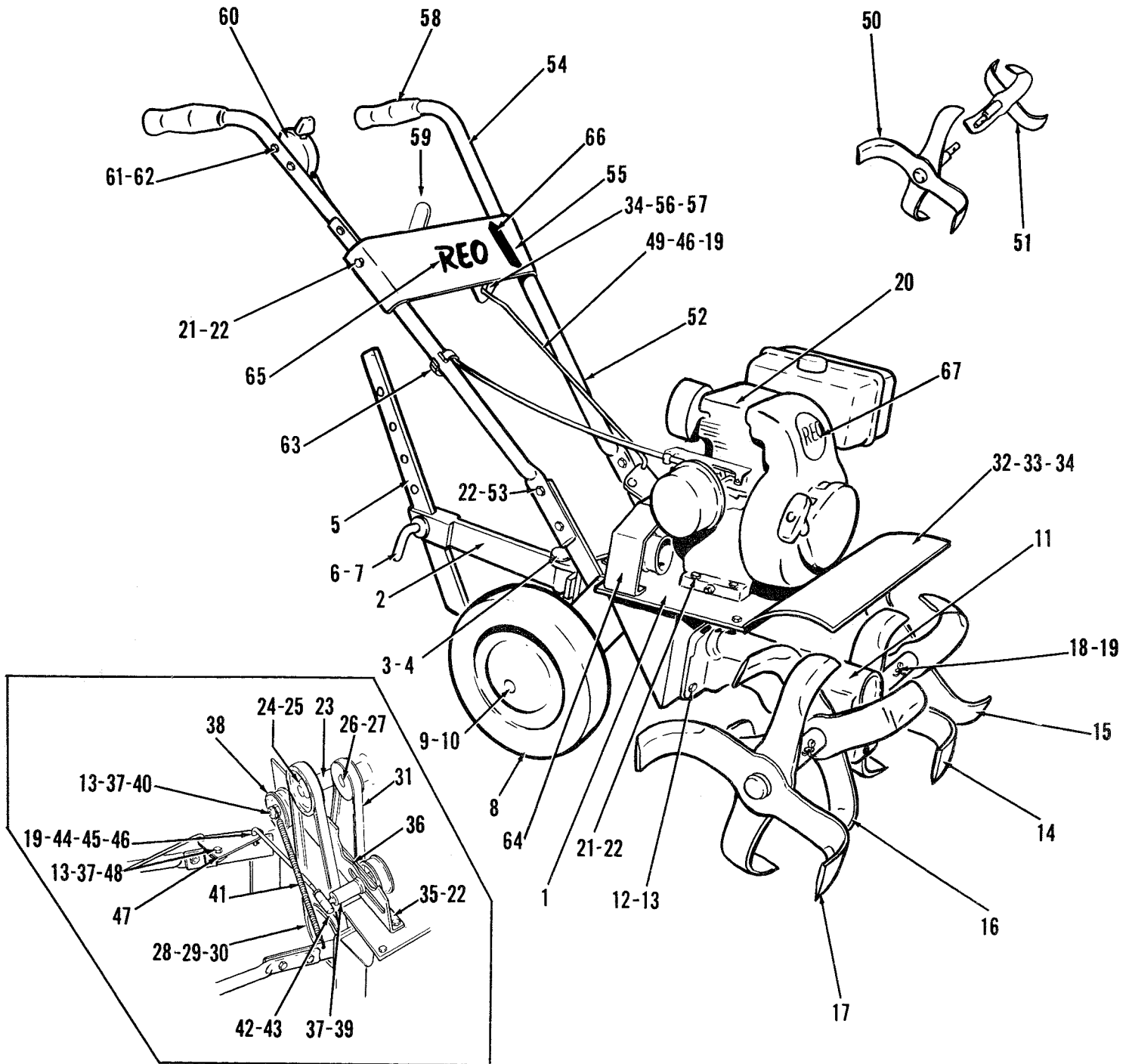
INDEX NUMBER	PART NUMBER	DESCRIPTION	INDEX NUMBER	PART NUMBER	DESCRIPTION
1	GM-120376	Locknut	27	MW-4193	Screw
2	GM-133111	Rd. Hd. Bolt	28	MW-8493	Reo Decal
3	MW-4647	Locknut	29	MW-8512	Control Decal
4	MW-8125	Eyebolt	30	MW-8133	Shroud
5	MW-8503	Grip	31	MW-9676	Connecting Link
6	MW-8099	Upper Handle	32	MW-9677	Roller Link
7	MW-4200	Rd. Hd. Screw	33	MW-8518	Chain
8	MW-8507	Front Panel	34	MW-8519	Drive Clutch
9	GM-120379	Lockwasher	35	GM-120376	Nut
10	MW-8490	Cover	36	107055	Lockwasher
11	MW-8124	Spring	37	H-1618	Washer
12	107362	Cotter Pin	38	122040	Bolt
13	MW-8502	Knob	39	MW-8395	Engine
14	MW-4193	Tapping Screw	40	GM-425599	Hex. Hd. Bolt
15	MW-8113	Bracket	41	MW-4517	Tab Lockwasher
16	MW-8486	Snow Chute Assembly	42	MW-8085	Shaft
17	MW-8132	Axle Cap	43 and 44	MW-8520	Rotor Assembly
18	MW-8095	Wheel Spacer	43	MW-2412	Bearing
19	MW-8264	Wheel	44 use	MW-8520	Rotor
20	MW-8087	Axle	45	MW-4647	Locknut
21	GM-120376	Nut	46	GM-110356	Bolt
22	107055	Lockwasher	47	MW-8285	Skid
23	107175	Washer	48	MW-8483	Model No. Decal
24	GM-120228	Hex Hd. Bolt	49	MW-8103	Chassis
25	MW-8101	Lower Handle	50	MW-8155	Rubber Bumper
26	MW-8469	Choke and Throttle Controls	51	MW-8378	Warning Decal

MODEL H314-L

# REO 4 CYCLE TILLER

TINES

14" DIAMETER- 26" WIDTH



ORDER PARTS BY NUMBER ONLY — NOT BY INDEX NUMBER ORDER PARTS FROM YOUR REO SERVICE DISTRIBUTOR  
SEE PARTS LIST ON REVERSE SIDE



# REO MODEL H314-L ROTO TILLER

Order Parts by Part Number Only - Not Index Number

INDEX NUMBER	PART NUMBER	DESCRIPTION	INDEX NUMBER	PART NUMBER	DESCRIPTION
1	MW-10471	Engine Base	35 thru 40	MW-10393	Idler Assembly
2	MW-10469	Depth Bar Support	35	MW-10378	Bracket Assembly
3	MW-10409	Pin	36	MW-10352	Slide
4	GM-137185	Pin	37	MW-10351	Spacer
5	MW-10349	Depth Bar	38	MW-8821	Pulley
6	GM-138086	Clevis pin	39	MW-10373	Stud
7	MW-4894	Pin	40	GM-122188	Bolt
8	MW-10410	Wheel	41	MW-10375	Spring
9	GM-122491	Bolt	42	MW-8951-3	Ball Joint
10	GM-120238	Nut	43	GM-120379	Washer
11	MW-10381	Gear Box	44	MW-10427	Control Rod
12	GM-122150	Bolt	45	GM-120368	Nut
13	MW-8952-7	Nut	46	GM-120393	Washer
14	MW-10405	Tine Assembly, L.H. Inner	47	MW-10428	Bell Crank
15	MW-10406	Tine Assembly, L.H. Outer	48	GM-120233	Bolt
16	MW-10407	Tine Assembly, R.H. Inner	49	MW-10439	Control Rod
17	MW-10408	Tine Assembly, R.H. Outer	50	MW-10479	L.H. Tine Extension (opt.)
18	MW-10411	Pin	51	MW-10480	R.H. Tine Extension (opt.)
19	GM-121222	Pin	52	MW-10395	Handle Lower
20	MW-8742	Engine	53	GM-120229	Bolt
21	GM-122040	Bolt	54	MW-10394	Handle Upper
22	MW-8952-5	Nut	55	MW-10476	Panel
23	MW-10417	Bushing	56	MW-10435	Plate
24	MW-10419	Pulley	57	GM-121926	Bolt
25	MW-10421	Key	58	MW-10374	Grip
26	MW-10420	Pulley	59	MW-8067	Grip
27	GM-103905	Key	60	MW-10477	Throttle Control
28	MW-10424	Pulley (Reverse Inner)	61	GM-155153	Screw
29	MW-10425	Pulley (Forward Outer)	62	MW-8952-1	Nut
30	MW-10422	Key	63	MW-4846	Clip
31	MW-10423	Belt	64	MW-10429	Belt Cover
32	MW-10426	Shield	65	MW-8605	Decal - (REO)
33	GM-120854	Bolt	66	MW-10478	Decal - (SHIFT)
34	MW-8952-3	Nut	67	MW-8606	Decal - (REO)

REO  
REO  
REO  
REO

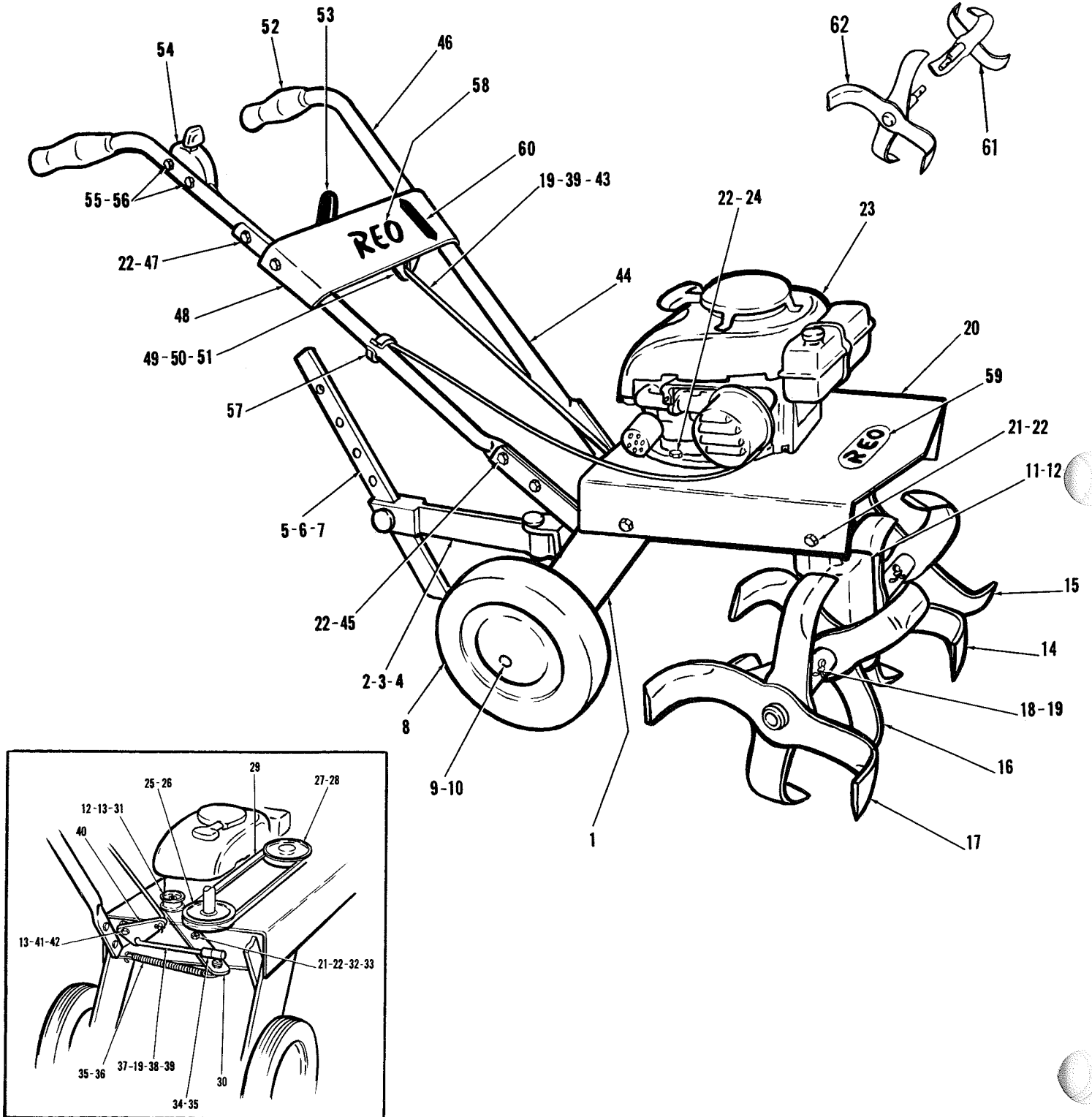
MODEL V 312-L

# REO 4 CYCLE TILLER

REO  
REO  
REO  
REO

TINES

14" DIAMETER - 26" WIDTH



ORDER PARTS BY NUMBER ONLY - NOT BY INDEX NUMBER

SEE PARTS LIST ON REVERSE SIDE

ORDER PARTS FROM YOUR REO SERVICE DISTRIBUTOR

# REO MODEL V312-L ROTO TILLER

Order Parts by Part Number Only - Not Index Number

INDEX NUMBER	PART NUMBER	DESCRIPTION	INDEX NUMBER	PART NUMBER	DESCRIPTION
1	MW-10524	Frame	32	MW-10517	Pivot
2	MW-10469	Depth Bar Support	33	GM-446470	Washer
3	MW-10409	Pin	34	MW-8951-3	Ball Joint
4	GM-137185	Cotter Pin	35	MW-8952-6	Nut
5	MW-10349	Depth Bar	36	MW-8835	Spring
6	GM-138086	Clevis Pin	37	MW-10515	Control Rod
7	MW-4894	Pin	38	GM-120368	Nut
8	MW-10496	Wheel	39	GM-120393	Washer
9	GM-122491	Bolt	40	MW-10428	Bellcrank
10	GM-120238	Nut	41	MW-10351	Spacer
11	MW-10382	Gear Box Assembly	42	GM-120233	Bolt
12	GM-122150	Bolt	43	MW-10439	Control Rod
13	MW-8952-7	Nut	44	MW-10395	Handle (lower)
14	MW-10497	Tine Assy. L.H. Inner	45	GM-120229	Bolt
15	MW-10498	Tine Assy. L.H. Outer	46	MW-10394	Handle (upper)
16	MW-10499	Tine Assy. R.H. Inner	47	GM-122040	Bolt
17	MW-10500	Tine Assy. R.H. Outer	48	MW-10476	Panel
18	MW-10411	Pin	49	MW-10435	Plate
19	GM-121222	Pin	50	GM-121926	Bolt
20	MW-10504	Plate	51	MW-8952-3	Nut
21	GM-122017	Bolt	52	MW-10374	Grip
22	MW-8952-5	Nut	53	MW-8067	Grip
23	MW-8741	Engine	54	MW-10516	Throttle Control
24	GM-122027	Bolt	55	GM-155153	Screw
25	MW-10505	Pulley	56	MW-8952-1	Nut
26	GM-124546	Key	57	MW-4846	Clip
27	MW-10425	Pulley	58	MW-8605	Decal (Reo)
28	MW-10509	Key	59	MW-8606	Decal (Reo)
29	MW-10510	Belt	60	MW-10525	Decal (Shift)
30 and 31	MW-10513	Idler Assembly	61	MW-10501	Tine Extension L.H. (opt.)
30	MW-10511	Idler Arm	62	MW-10502	Tine Extension R.H. (opt.)
31	MW-8821	Pulley			

