



# **PRIOR MODELS**

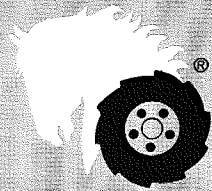
***Wheel Horse®***

## **SECTION IV SNOW ATTACHMENTS**

### **CONTENTS**

- **37" SNOW THROWER ST-375**
- **32" SNOW THROWER ST-325**
- **37" SNOW THROWER ST-374**
- **32" SNOW THROWER ST-324**
- **32" SNOW THROWER ST-323**
- **30" SNOW THROWER ST-3072 & ST-302**
- **DOZER BLADE 6-2111 (Formerly BD-4267)**
- **DOZER BLADE BD-546 & 6-1111 (Formerly BD-426)**
- **DOZER BLADE BD-4264-A**
- **DOZER BLADE 6-1121 (Formerly BD-543)**
- **DOZER BLADE BD-4264**
- **DOZER BLADE BD-4263**
- **DOZER BLADE BD-4262**
- **DOZER BLADE BD-42-71**
- **DOZER BLADE BD-4261**
- **SNOW PLOW SPR-42**

## PARTS LIST AND INSTRUCTIONS



*Wheel Horse*

WHEELHORSE PRODUCTS, INC. • SOUTH BEND, IND.

# SNOW THROWER ST-375



### ASSEMBLY

Remove snow thrower from carton and fasten the mounting arms, part 5497 and shims, part 4774 to wrapper assembly, part 4461 with four  $\frac{3}{8}$ -16 x 1 bolts, part 908034-4 and  $\frac{3}{8}$ -16 elastic stop nuts, part 915663-4.

Install control support, part 5503 to mounting arms and secure with four  $\frac{3}{8}$ -16 x 1 hex bolts, part 908034-4 and  $\frac{3}{8}$ -16 elastic stop nuts, part 915663-4 (**NOTE:** Be sure the drive belt, part 1576 is on the inside of support toward the tractor).

Install the shroud, part 5220 in the grooves of the front and rear rollers, part 1973. Adjust rear rollers by sliding forward. Be sure the rollers turn freely and shroud turns freely, secure with two  $\frac{1}{4}$ -20 x  $1\frac{1}{4}$  hex bolts, part 908006-4 and two  $\frac{1}{4}$ -20 nylock nuts, part 915111-6.

Install crank, part 4764 thru eye bolt, part 5498 in control support and thru hole in wrapper assembly, part 4461 and secure with cotter pin  $\frac{1}{8}$  x 1, part 932017-4. Bend both ends around crank.

Slide tube and bar assembly, part 4787 over pin (located at lower rear center of wrapper assembly) and secure with  $\frac{5}{8}$ " flat washer, part 920013-4 and

cotter pin, part 932034-4. Insert lift rod, assembly, part 4790 in end of assembly tube and bar.

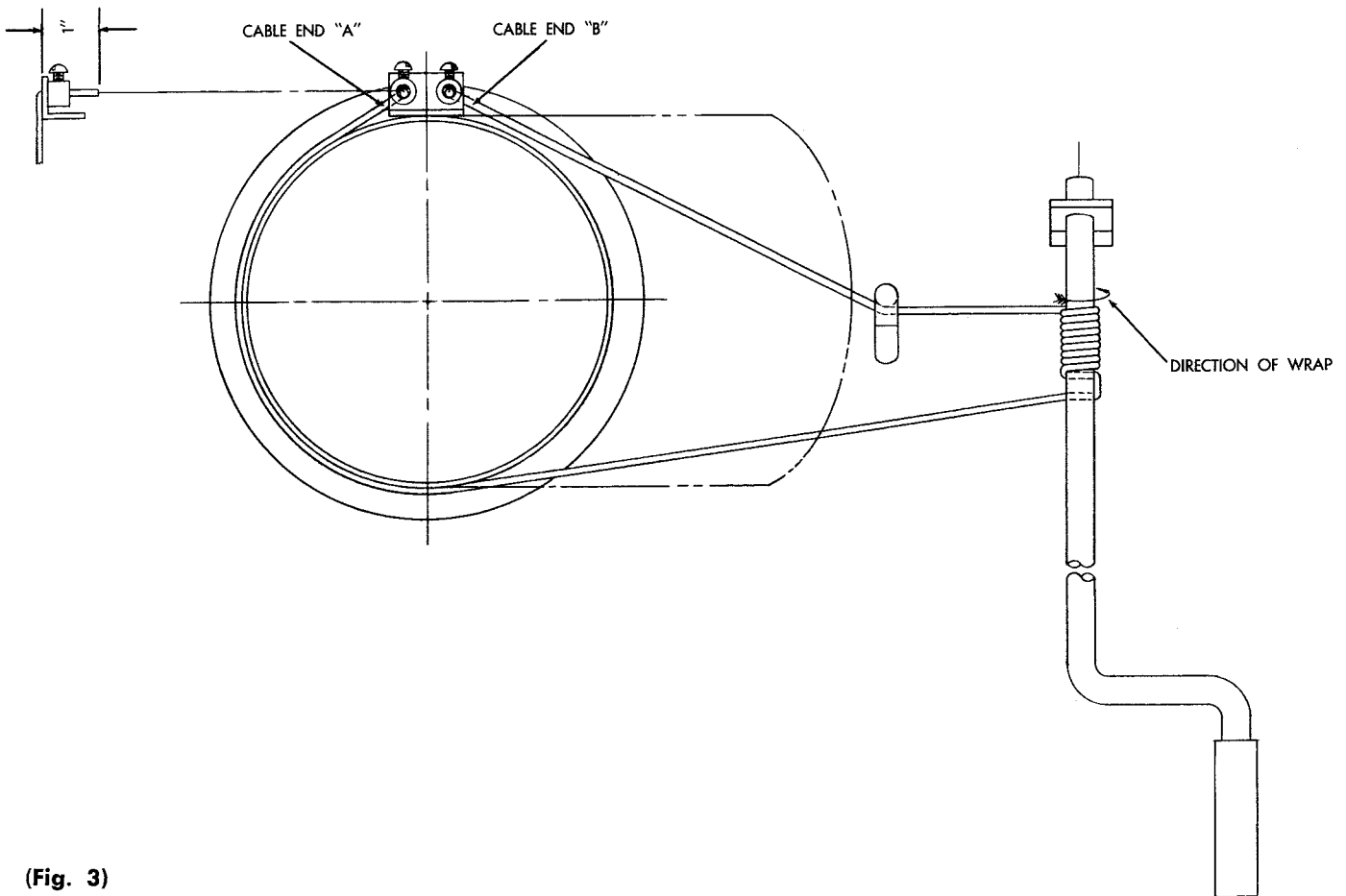
Move wheel adjustment lever all the way forward so the wheels are down. Roll the unit to the tractor and secure with mounting spacer, part 1982 and rod and spacer, part 4776. Secure with  $\frac{3}{8}$ -16 elastic stop nut, part 915663-4.

**Install power take-off as per instructions which were included with the P.T.-5 package.**

**NOTE:** Be sure the belt, part 1576 has been installed in line with the pulley.

Install idler arm assembly, part 5500 thru mounting arms, part 5497 and secure with  $\frac{1}{2}$ " S.A.E. washer, part 920011-4 and cotter pin, part S-52-4. Place belt on idler pulleys, part 1623 and part 4387 making sure that the belt guide bracket, part 3760 is correctly positioned to retain belt in groove of pulley. Install spring, part 5185, between arm on idler arm assembly, part 5500 and hole in wrapper assembly, part 4461.

Install lift rod assembly, part 4790 to the end of the tractor lift cylinder clevis, (see fig. 2) and secure with pin, part 932999-4 and hairpin cotter, part S-52-5.



(Fig. 3)

### CABLE WRAPPING

1. Face shroud, part 5220 to the right.
2. Thread cable, part 4795 end "A" up thru hole in collar on the shroud about 1" and secure with screw, part 908980-4.
3. Pull cable around the shroud and thread end of cable "B" thru the top hole in crank, part 4764 and back thru the bottom hole of crank. Wrap

- 8 complete turns down in direction shown, see Fig. 3, finish last turn on bottom of crank. Pull cable end "B" behind the hook on the wrapper assembly and thread up thru the second hole in shroud and secure with screw, part 908980-4.
4. Face shroud forward and grip cable end "A" with pliers, loosen screw, pull cable tight and secure with screw.

### OPERATION

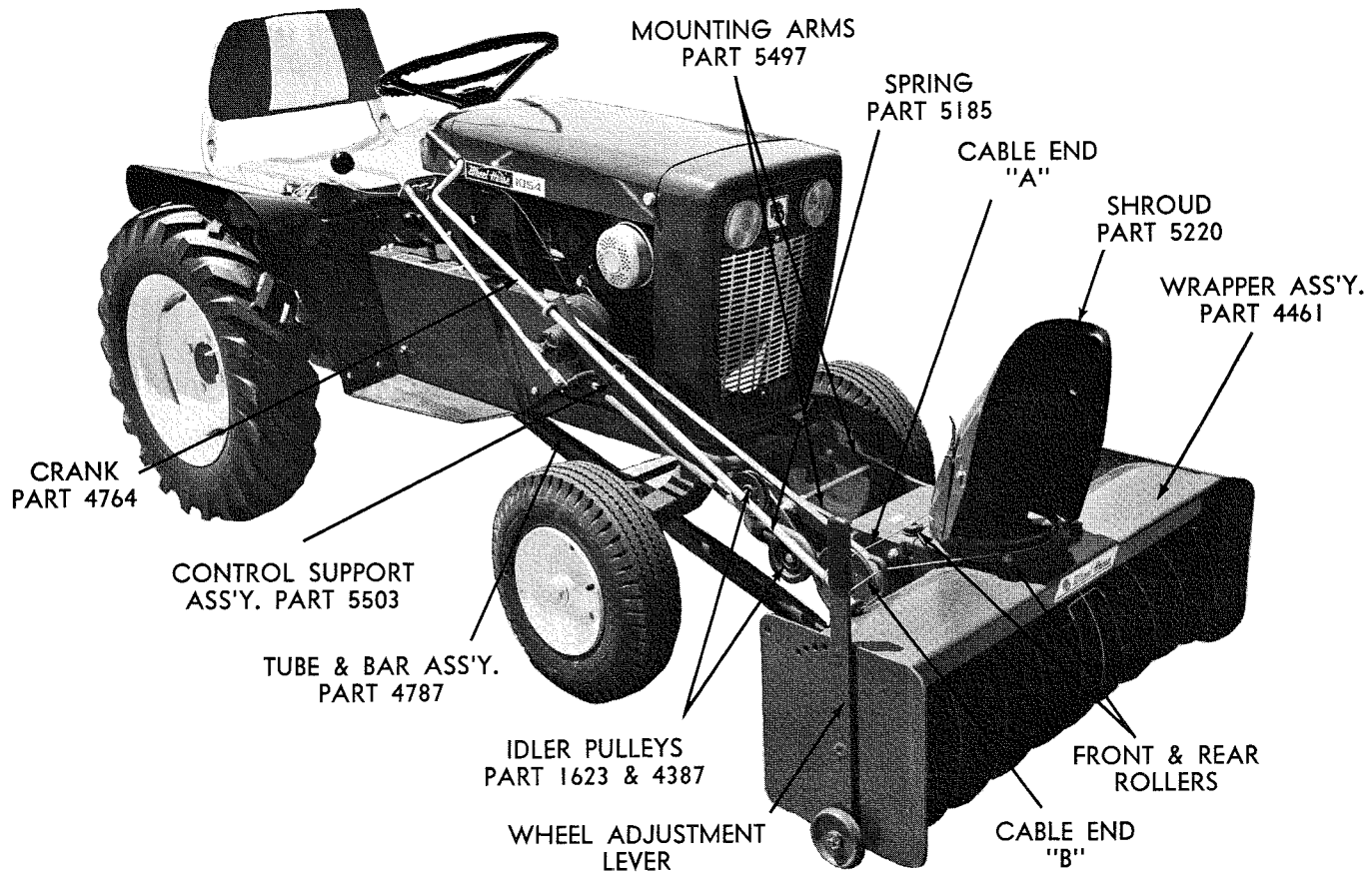
The adjustable shroud allows the operator to control the direction the snow may be thrown by turning the convenient pivot crank. The upper part of the snow shroud is adjustable to deflect the snow in an upward or downward direction depending upon conditions. There are wheels on each side for raising or lowering to prevent the Snow Thrower from catching on uneven surfaces. Under some conditions it will be necessary to coat the auger, shroud and the inside with paraffin or wax to prevent snow and ice from sticking. Best results are obtained with slow forward movement of the tractor and high auger speed, therefore under normal conditions the tractor should be operated in first gear with full throttle.

**CAUTION** — Engage clutch gently, do not snap into engagement. Be especially careful after the blower has set out doors after use. The auger could be frozen to the deck. Always shut off the engine before making any adjustment or lubrication.

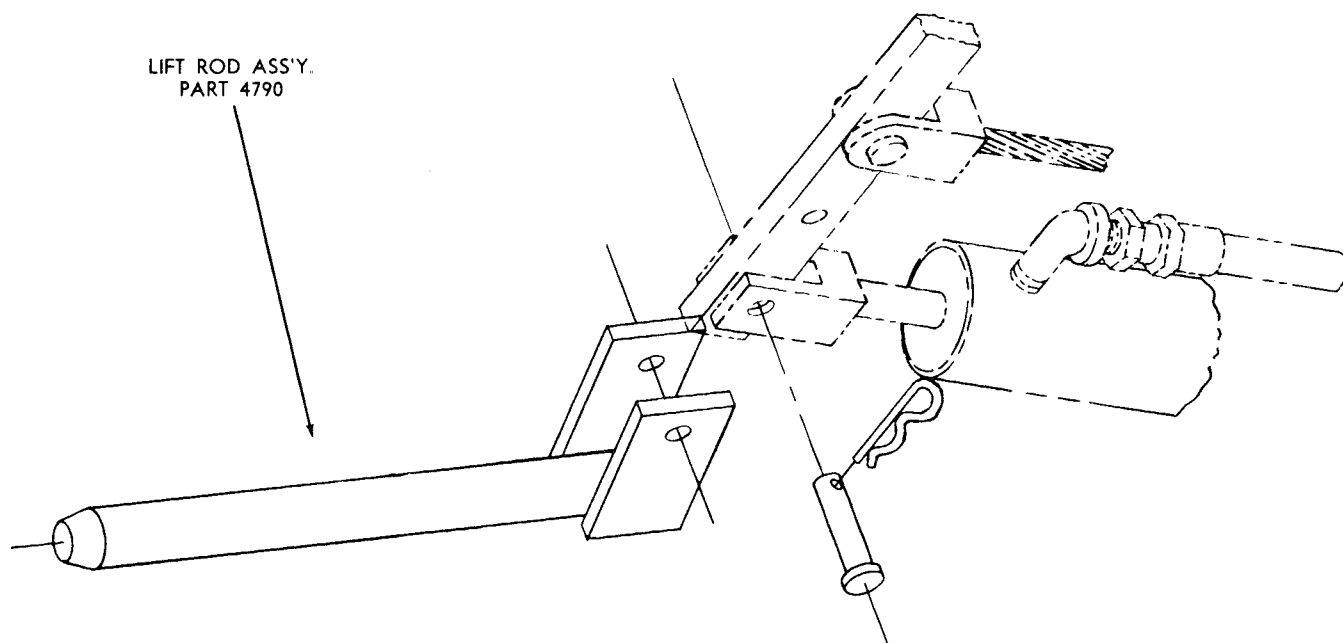
After the first hour of use recheck all bolts, nuts, and set screws — tighten securely. Check chains and belt alignment. Keep children and pets away while operating, there may be rocks or metal in the snow which could be thrown forward or out the chute. Never permit anyone to stand in front of blower when engine is running.

### LUBRICATION

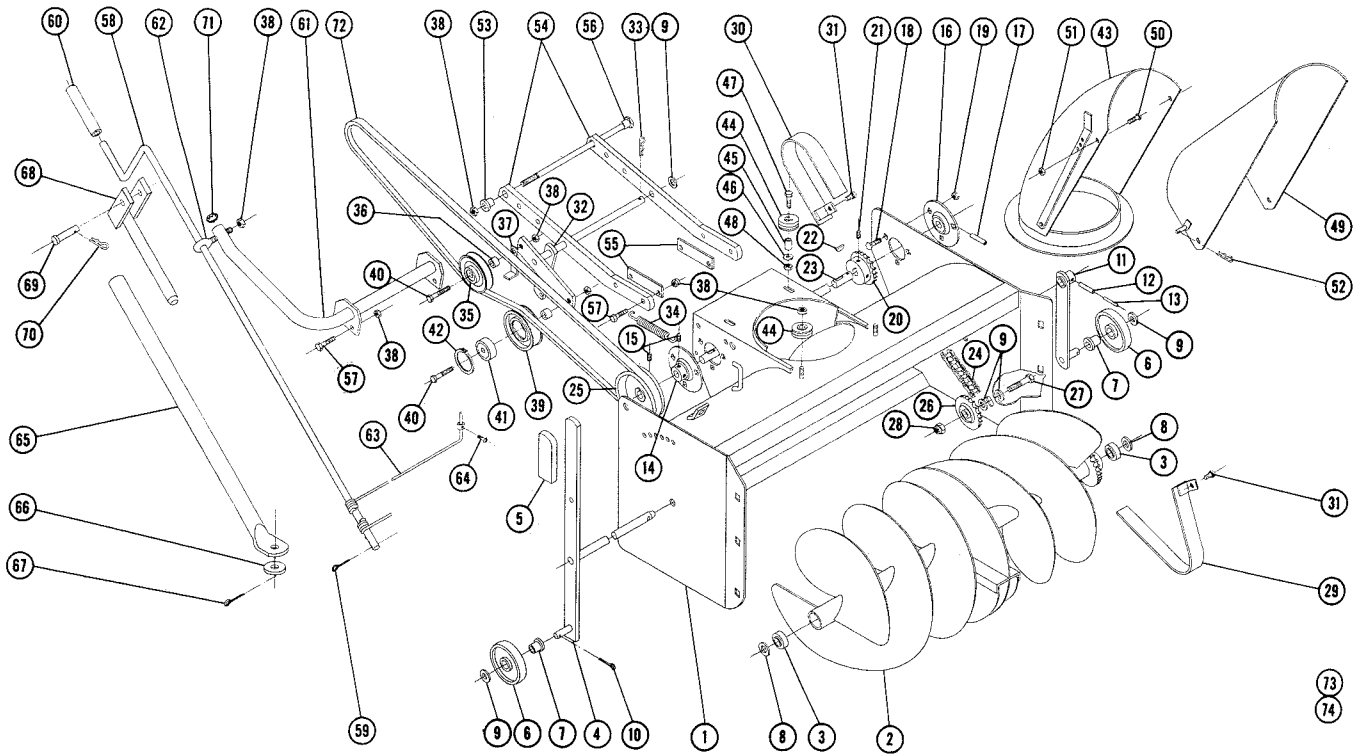
The drive chain should be oiled with a light grade of machine oil. All other bearings and movable parts should be oiled frequently. In storing the Snow Thrower, it is advisable to coat the auger with a heavy machine oil to prevent rust.



(Fig. 1)



(Fig. 2)



## PARTS LIST

When ordering parts always list Part No. and name of part

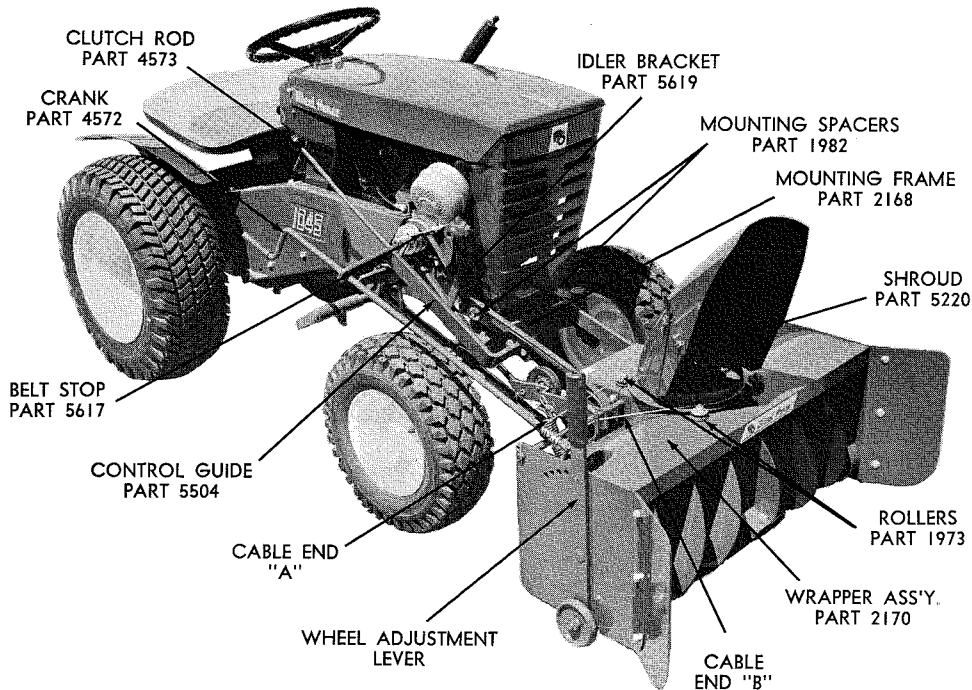
Ref. No.	Part No.	Description	No. Req'd.	Ref. No.	Part No.	Description	No. Req'd.
1	4461	Ass'y. Wrapper	1	38	915663-4	Nut $\frac{3}{8}$ -16 Elastic Stop	14
2	4467	Ass'y. Auger	1	39	4387	Pulley - Idler	1
3	5493	Bearing - Ball	2	40	908037-4	Bolt - Hex. $\frac{3}{8}$ -16 x $1\frac{3}{4}$	2
4	4477	Ass'y. Auger Shaft	1	41	4567	Bearing - Ball	1
5	5359	Grip	1	42	S-51-137	Snap - Ring - $1\frac{3}{8}$ Bore	1
6	1987	Wheel	2	43	5220	Ass'y. Shroud	1
7	1974	Bushing - Nylon	2	44	1973	Roller	4
8	2090	Washer - Auger	2	45	2163	Spacer	2
9	920011-4	Washer - $\frac{1}{2}$ S.A.E.	5	46	920007-4	Washer $\frac{1}{4}$ S.A.E.	2
10	932016-4	Cotter Pin $\frac{1}{8}$ x $\frac{3}{4}$	2	47	908006-4	Bolt - Hex. $\frac{1}{4}$ -20 x $1\frac{1}{4}$	2
11	5157	Ass'y. Wheel Support	1	48	915111-6	Nut - Nylok $\frac{1}{4}$ -20	2
12	933215	Roll Pin $\frac{1}{4}$ x $1\frac{1}{4}$	1	49	2165	Ass'y. Deflector	1
13	933173	Roll Pin $\frac{3}{32}$ x $1\frac{1}{4}$	1	50	909052-4	Bolt - Round Hd. $\frac{1}{4}$ -20 x $\frac{1}{2}$	2
14	5269	Bearing - Flanged Ball	1	51	915661-4	Nut $\frac{1}{4}$ -20 Elastic Stop	2
15	909862-6	Set Screw $\frac{5}{16}$ -18 x $\frac{3}{16}$ Nylok	4	52	S-52-3	Hairpin Cotter	1
16	4571	Bearing - Flanged Ball	1	53	1982	Spacer	1
17	933216	Roll Pin $\frac{1}{4}$ x $1\frac{3}{8}$	1	54	5497	Arm Mounting	2
18	900037-4	Bolt - Carriage $\frac{5}{16}$ -18 x $\frac{3}{4}$	6	55	4774	Shim	2
19	915112-6	Nut - Nylok $\frac{5}{16}$ -18	6	56	4776	Ass'y. Rod & Spacer - Mt'g.	1
20	2176	Sprocket	1	57	908034-4	Bolt - Hex. $\frac{3}{8}$ -16 x 1	8
21	909848-6	Set Screw $\frac{1}{4}$ -20 x $\frac{1}{4}$ Hex. Soc. Nylok	2	58	4764	Crank	1
22	937014	Key #9 Woodruff	2	59	932017-4	Cotter Pin $\frac{1}{8}$ x 1	1
23	4757	Shaft - Drive	1	60	4569	Tube (Rubber)	1
24	2175	Chain	1	61	5503	Ass'y. Control Support	1
25	4793	Pulley - Drive Shaft	1	62	5498	Eye Bolt	1
26	2174	Sprocket - Idler	1	63	4795	Cable	1
27	908060-4	Bolt - Hex. $\frac{1}{2}$ -13 x $1\frac{3}{4}$	1	64	908980-4	Screw - Round Hd. Mach. #6-32 x $\frac{1}{4}$	2
28	915665-4	Nut $\frac{1}{2}$ -13 Elastic Stop	1	65	4787	Ass'y. Tube & Bar	1
29	2089	Ass'y. Guard - Inner	1	66	920013-4	Washer $\frac{5}{8}$ S.A.E.	1
30	2162	Ass'y. Guard - Outer	1	67	932034-4	Cotter Pin $\frac{3}{16}$ x 1	1
31	1391	Screw - Sems $\frac{1}{4}$ -20 x $\frac{3}{8}$	4	68	4790	Ass'y. Lift Rod	1
32	5500	Ass'y. Idler Arm	1	69	932999-4	Pin .500 Dia. x $1\frac{3}{4}$ (Clevis)	1
33	S-52-4	Hairpin Cotter	1	70	S-52-5	Hairpin Cotter	1
34	5185	Spring	1	71	935105-1	Plug - Button $\frac{13}{16}$ Hole	1
35	1623	Pulley - Idler	1	72	1576	Belt - Drive 70"	1
36	2233	Spacer $\frac{1}{2}$ Long	2	73	4498	Decal - General Caution	1
37	3760	Bracket - Belt Guide	1	74	4411	Decal - Attachment	1

# PARTS LIST AND INSTRUCTIONS



WHEELHORSE PRODUCTS, INC. • SOUTH BEND, IND.

## SNOW THROWER ST-325



### ASSEMBLY

Remove Snow Thrower from carton and fasten control guide, part 5504 to mounting frame, part 2168. Secure with two  $\frac{3}{8}$ -16 x  $1\frac{1}{4}$  bolts, part 908035-4 and  $\frac{3}{8}$ -16 elastic nuts, part 915663-4. (NOTE: Be sure the drive belt, part 1589 is on the inside of bracket toward the tractor).

Install mounting frame to wrapper assembly, part 2170 and secure with four  $\frac{3}{8}$ -16 x  $\frac{7}{8}$  bolts, part 908033-4 and elastic nuts, part 915663-4.

Install the shroud, part 5220 in the grooves of the front and rear rollers, part 1973. Adjust rear rollers by sliding forward. Be sure rollers and shroud turn freely. Secure with two  $\frac{1}{4}$ -20 x  $1\frac{1}{4}$  bolts, part 908006-4 and hex nylock nuts, part 915111-6.

Move wheel adjustment lever all the way forward so wheels are down. Roll the unit to the tractor and secure with two mounting spacers, part 1982 and one  $\frac{3}{8}$ -16 x  $8\frac{1}{2}$  bolt part 900854-4 and nylock nut, part 915113-6.

Install crank, part 4572 thru the hole in the control guide, and thru the hole in the bracket on the wrapper assembly, part 2170. Secure with cotter pin,  $\frac{1}{8}$  x 1, part 932017-4. Bend both ends around the crank.

Install drive belt, part 1589 on inside groove on the tractor engine pulley.

Install the idler bracket, part 5619 with the  $\frac{3}{8}$ -16 x  $1\frac{1}{4}$  bolt, part 908035-4 in the second hole from the end of the tractor frame. The belt should ride on the bottom of idler pulley, part MW8821. The spacer, part

4937, fits between bracket and pulley (as shown on parts drawing), for the 1045 tractor. All other tractors it will fit between the pulley and the  $\frac{3}{8}$  jam nut, part 915236-4.

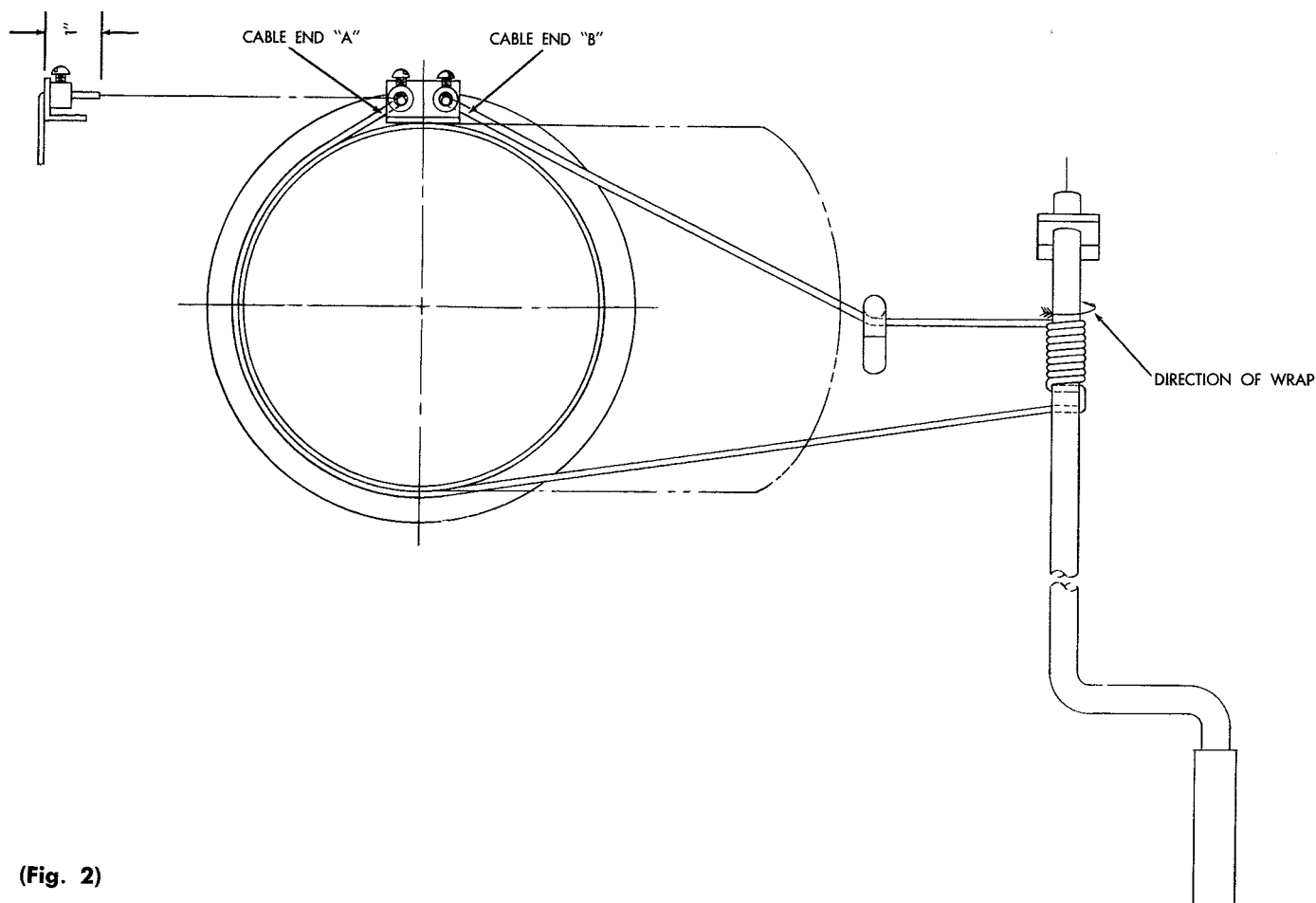
Install clutch rod, part 4573 thru slot in control guide and secure to idler bracket, with hairpin cotter, part S-52-4. Install lift rod, part 1986 to top hole in bottom arm of tractor lift lever and secure with hairpin cotter, part S-52-4.

The top hole in the tractor lift lever must be enlarged to  $\frac{13}{32}$  in diameter on all 701, 552, 502, and 702 tractors.

Slide tube and bar assembly, part 3093 over lift rod, part 1986 and over pin located at lower rear center of Snow Thrower, secure with  $\frac{1}{2}$ " flat washer, part 920011-4 and cotter pin, part 932034-4.

Fasten the belt stop, part 5617 to the engine with  $\frac{5}{16}$ -24 x  $\frac{3}{4}$  screw, part 3385 and  $\frac{5}{16}$  lock washer, part 920082-4 on all tractors with Lauson engines, tractors with 6, 7 and 8 H.P. Kohler engines use  $\frac{3}{8}$ -16 x  $\frac{3}{4}$  screw, part 909084-4 and  $\frac{3}{8}$  lock washer, part 920083-4. Tractors with 10 H.P. Kohler engines use  $\frac{5}{16}$ -18 x  $\frac{3}{4}$  screw, part 909070-4 and  $\frac{5}{16}$  lockwasher, part 920083-4.

To increase snow removal width mount side extension plates, part 5502 to the sides of the wrapper assembly, part 2170. Secure extension plates, part 5502 with the three  $\frac{3}{8}$ -16 x 1 carriage bolts, part 90063-4, and  $\frac{3}{8}$  diameter washers, part 920009-4 and  $\frac{3}{8}$ -16 elastic nuts, part 915663-4.



(Fig. 2)

### CABLE WRAPPING

1. Face shroud, part 5220 to the right.
2. Thread cable, part 4795 end "A" up thru hole in collar on the shroud about 1" and secure with screw, part 908980-4.
3. Pull cable around the shroud and thread end of cable "B" thru the top hole in crank, part 4572 and back thru the bottom hole of crank. Wrap

8 complete turns down in direction shown, see Fig. 2. Finish last turn on bottom of crank. Pull cable end "B" behind the hook on the wrapper assembly and thread up thru the second hole in shroud. Secure with screw, part 908980-4.

4. Face shroud forward and grip cable end "A" with pliers. Loosen screw, pull cable tight and secure with screw.

### OPERATION

The adjustable shroud allows the operator to control the direction the snow may be thrown by turning the convenient crank. The upper part of the snow shroud is adjustable to deflect the snow in an upward or downward direction depending upon conditions. There are wheels on each side for raising or lowering to prevent the Snow Thrower from catching on uneven surfaces. Under some conditions it will be necessary to coat the auger, shroud and the inside with paraffin or wax to prevent snow and ice from sticking. Best results are obtained with slow forward movement of the tractor and high auger speed, therefore under normal conditions the tractor should be operated in first gear with full throttle.

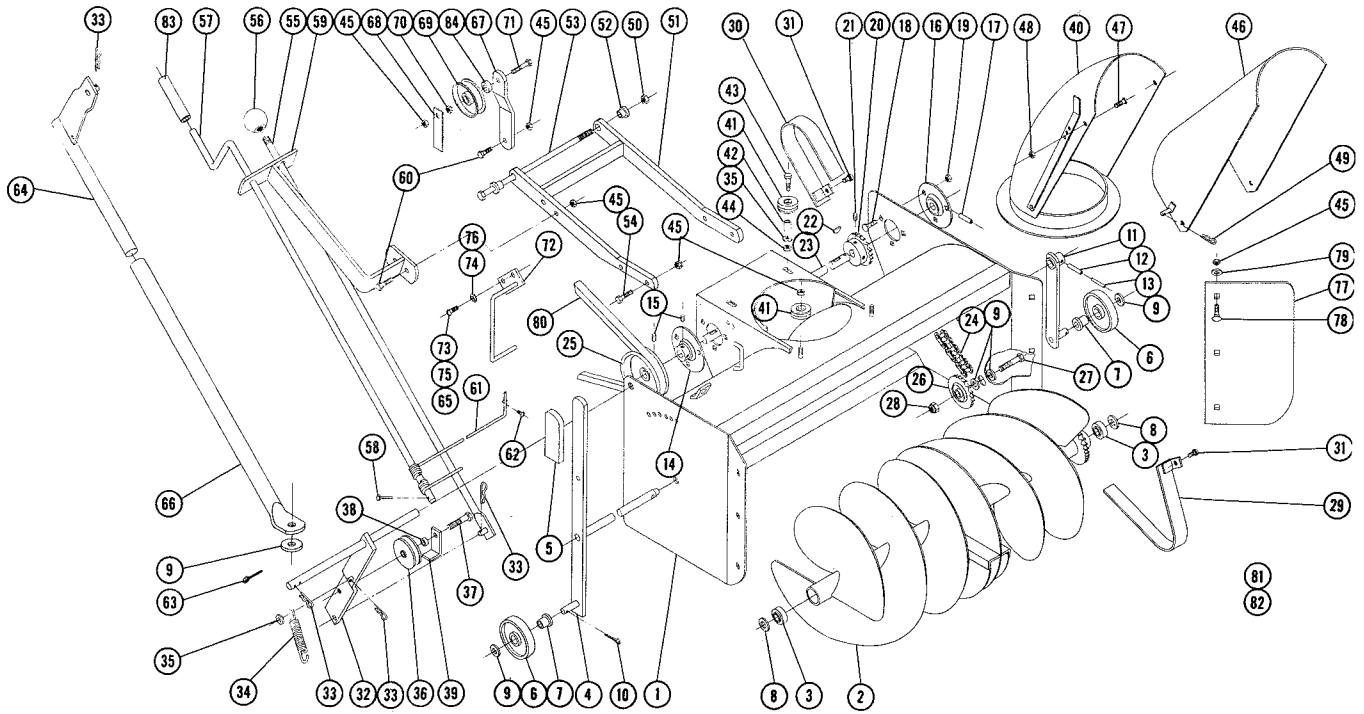
**CAUTION** — Engage clutch gently. Do not snap into engagement. Be especially careful after the

blower has set outdoors after use. The auger could be frozen to the deck. Always shut off the engine before making any adjustment or lubrication.

After the first hour of use recheck all bolts, nuts, and set screws — tighten securely. Check chains and belt alignment. Keep children and pets away while operating, there may be rocks or metal in the snow which could be thrown forward or out the chute. Never permit anyone to stand in front of blower when engine is running.

### LUBRICATION

The drive chain should be oiled with a light grade of machine oil. All other bearing and movable parts should be oiled frequently. In storing the Snow Thrower, it is advisable to coat the auger with a heavy machine oil to prevent rust.



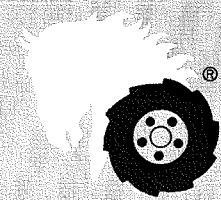
## PARTS LIST

When ordering parts always list Part No. and name of part.

Ref. No.	Part No.	Description	No. Req'd.	Ref. No.	Part No.	Description	No. Req'd.
1	2170	Ass'y. Wrapper	1	44	915111-6	Nut Nylok 1/4-20	2
2	2172	Ass'y. Auger	1	45	915663-4	Nut 3/8-16 Elastic Stop	16
3	5493	Bearing	2	46	2165	Ass'y. Deflector	1
4	5155	Ass'y. Auger Shaft	1	47	909052-4	Bolt - Rd. Hd. 1/4-20 x 1/2	2
5	5359	Grip	1	48	915661-4	Nut 1/4-20 Elastic Stop	2
6	1987	Wheel	2	49	S-52-3	Hairpin Cotter	1
7	1974	Bushing - Nylon	2	50	915113-6	Nut 3/8-16 Nylok	1
8	2090	Washer - Auger	2	51	2168	Ass'y. Mounting Frame (ST-325)	1
9	920011-4	Washer 1/2 S. A. E.	5	52	1982	Spacer	2
10	932016-4	Cotter Pin 1/8 x 3/4	2	53	900854-4	Bolt - Square Hd. 3/8-16 x 8 1/2	1
11	5157	Ass'y. Wheel Support	1	54	908033-4	Bolt - Hex. 3/8-16 x 3/8	4
12	933215	Roll Pin 1/4 x 1 1/4	1	55	4573	Ass'y. Rod - Clutch	1
13	933173	Roll Pin 3/32 x 1 1/4	1	56	1001	Knob	1
14	5269	Bearing - Flanged Ball	1	57	4572	Crank	1
15	909862-6	Set Screw 5/16-18 x 5/16 Nylok	4	58	932017-4	Cotter Pin 1/8 x 1	1
16	4571	Bearing - Flanged Ball	1	59	5504	Ass'y. Bracket - Control Guide	1
17	933216	Roll Pin 1/4 x 1 3/8	1	60	908035-4	Bolt - Hex. 3/8-16 x 1 1/4	3
18	900037-4	Bolt - Carriage 5/16-18 x 3/4	6	61	4795	Cable	1
19	915112-6	Nut - Nylok 5/16-18	6	62	908980-4	Screw - Round Hd. Mach #6-32 x 1/4	2
20	2176	Sprocket	1	63	932034-4	Cotter Pin 3/16 x 1	1
21	909848-6	Set Screw 1/4-20 x 1/4 Hex. Soc. Nylok	2	64	1986	Ass'y. Lift Rod	1
22	937014	Key #9 Woodruff	2	65	909070-4	Screw Round Hd. 5/16-18 x 3/4 (Kohler 10 H.P.)	1
23	2083	Shaft - Drive	1	66	3093	Ass'y. Tube & Bar	1
24	2175	Chain	1	67	5619	Bracket - Idler	1
25	5499	Pulley - Drive Shaft	1	68	5368	Bar - Belt Guide	1
26	2174	Sprocket - Idler	1	69	MW8821	Pulley - Idler	1
27	908060-4	Bolt Hex. 1/2-13 x 1 3/4	1	70	915236-4	Nut - Hex. 3/8-16 Jam	1
28	915665-4	Nut 1/2-13 Elastic Stop	1	71	908039-4	Bolt - Hex. 3/8-16 x 2 1/4	1
29	2089	Ass'y. Guard - Inner	1	72	5617	Ass'y. Belt Stop	1
30	2162	Ass'y. Guard - Outer	1	73	3385	Screw Round Hd. 5/16-24 x 3/4 (Lauson)	1
31	1391	Screw - Sems 1/4-20 x 3/8	4	74	920082-4	Lockwasher 3/16 Dia. (Lauson)	1
32	4576	Ass'y. Idler Bracket	1	75	909084-4	Screw Round Hd. 3/8-16 x 3/4 (Kohler 7 H.P.)	1
33	S-52-4	Hairpin Cotter	6	76	920083-4	Lockwasher 3/8 Dia. (Kohler)	1
34	5185	Spring	1	77	5502	Plate - Side Extension	2
35	920007-4	Washer 1/4 S.A.E.	3	78	900063-4	Bolt - Carriage 3/8-16 x 1	6
36	1623	Pulley - Idler	1	79	920009-4	Washer 3/8 Dia. S.A.E.	6
37	908035-6	Bolt 3/8-16 x 1 1/4 Hex. Nylok	1	80	1589	Belt - Drive	1
38	1536	Spacer 3/8 Long	1	81	4498	Decal - General Caution	1
39	3760	Bracket - Belt Guide	1	82	4411	Decal - Attachment	1
40	5220	Ass'y. Shroud	1	83	4569	Tube (Rubber)	1
41	1973	Roller	4	84	4937	Spacer	1
42	2163	Spacer	2				
43	908006-4	Bolt - Hex. 1/4-20 x 1 1/4	2				



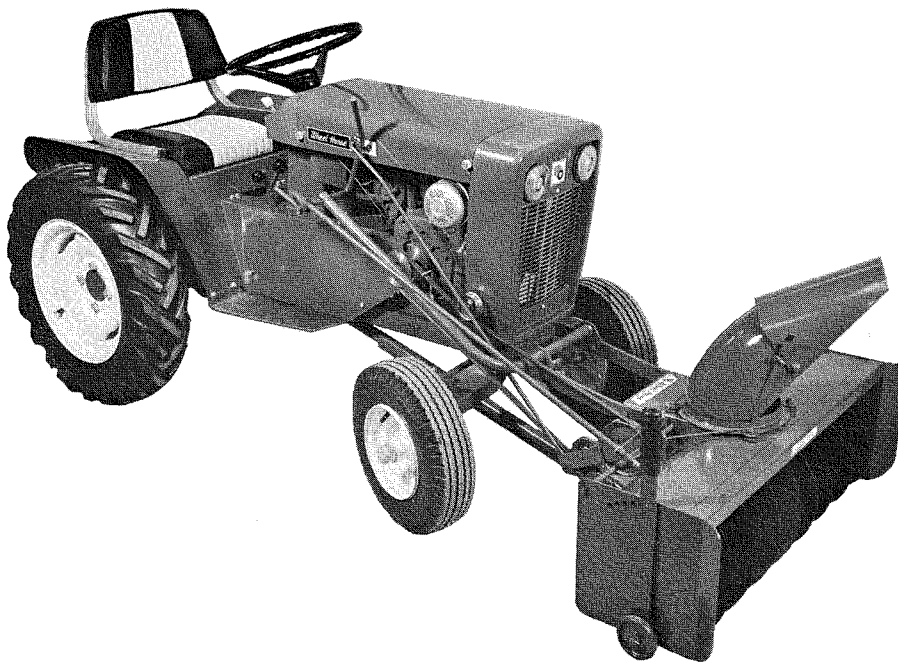
## PARTS LIST AND INSTRUCTIONS



*Wheel Horse*

WHEELHORSE PRODUCTS, INC. • SOUTH BEND, IND.

# SNOW THROWER ST-374



### ASSEMBLY

Remove snow thrower from carton and fasten the mounting arms, part 4773 and shims, part 4774 to wrapper assembly, part 4461 with four  $\frac{3}{8}$ -16 x 1 bolts, part 908034-4 and  $\frac{3}{8}$ -16 Nylock nuts, part 915113-6.

Install control support, part 4779 to mounting arms and secure with four  $\frac{3}{8}$ -16 x 1 hex bolts, part 908035-4 and  $\frac{3}{8}$ -16 nylock nuts, part 915113-6 (**NOTE:** Be sure the drive belt, part 1576 is on the inside of support toward the tractor). Slip clutch handle, part 4783 thru the hole in control support. Secure with two hair pin cotters, part S-52-4 in third and fourth holes from the end.

Install clutch rod, part 4758 thru clutch handle and secure with hair pin cotter, part S-52-3.

Install pivot end of clutch rod thru hole in idler bracket, part 4760 and secure with hair pin cotter, part S-52-3.

Install the shroud, part 5220 in the grooves of the front and rear rollers, part 1973. Adjust rear rollers by sliding forward. Be sure the rollers turn freely and the shroud turns freely, secure with two  $\frac{1}{4}$ -20 x  $1\frac{1}{4}$  hex bolts, part 908006-4 and two  $\frac{1}{4}$ -20 nylock nuts, part 915111-6.

Install crank, part 4764 thru the hole in wrapper assembly, part 4461 and secure with cotter pin  $\frac{1}{8}$  x 1, part 932017-4. Bend both ends around the crank.

Install bracket, part 4772 over crank then slide bracket over clutch handle and secure with two hair-pin cotters, part S-52-4.

Slide tube and bar ass'y., part 4787 over pin on snow thrower wear plate and secure with  $\frac{5}{8}$ " flat washer, part 920013-4 and cotter pin, part 932034-4. Insert lift rod, ass'y. part 4790 in end of assembly tube and bar.

Move wheel adjustment lever all the way forward so wheels are down. Roll the unit to the tractor and secure with mounting spacer, part 1982 and rod and spacer, part 4776. Secure with  $\frac{3}{8}$ -16 nylock nut, part 915113-6.

Install square key,  $\frac{1}{4}$  x  $\frac{1}{4}$  x  $1\frac{1}{2}$  part 1349 in the engine shaft and slide pulley, part 4786 on engine shaft. Secure with two set screws, part 909852-4.

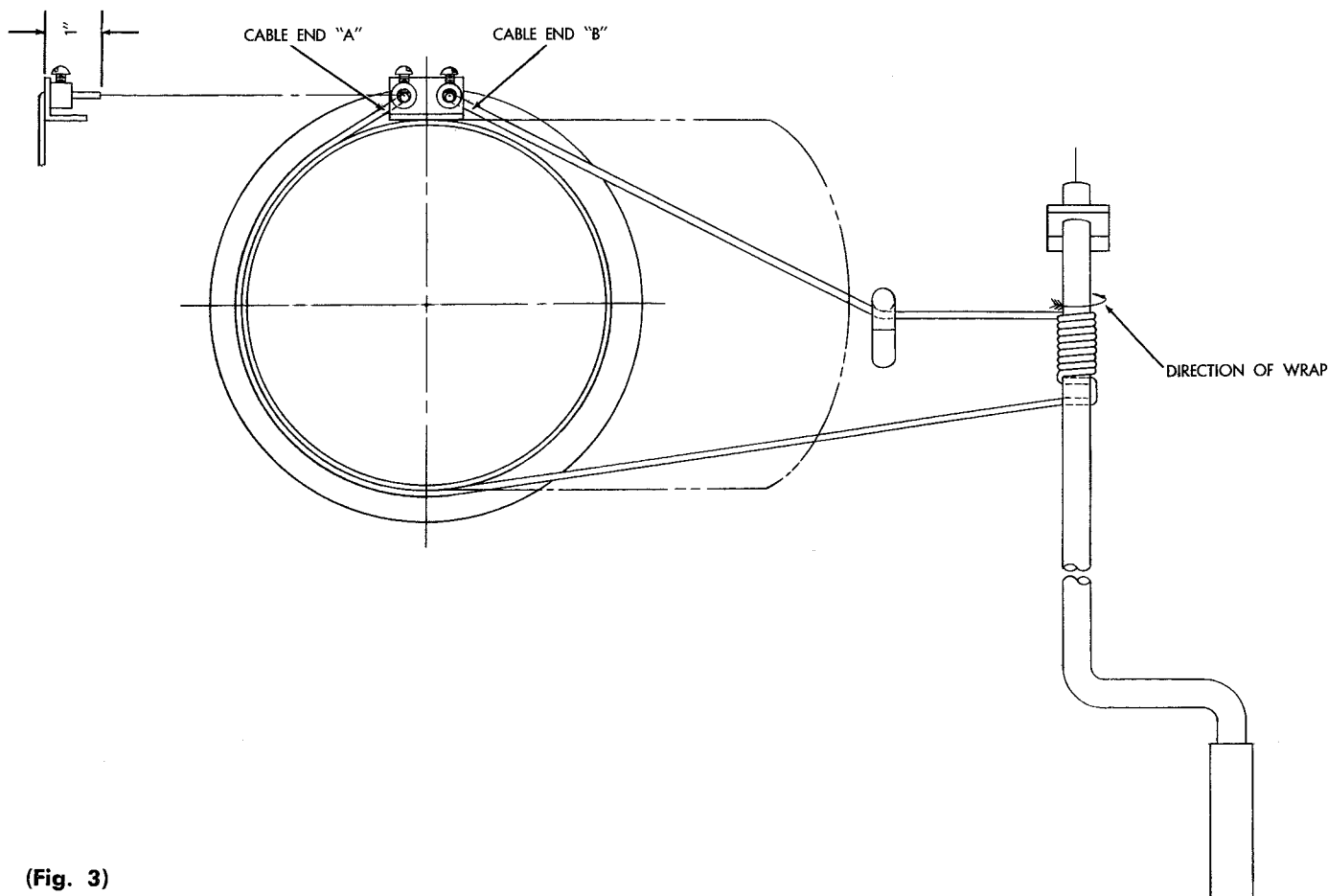
**NOTE:** Be sure the belt, part 1576 has been installed in line with the pulley.

Install upper idler pulley, part 4794 with spacer part 4763 between pulley and grille to the grille housing of the tractor and secure with  $\frac{7}{16}$  rod, use  $\frac{7}{16}$  S.A.E. washer part 920010-4 under each nut part 5286 and  $\frac{7}{16}$ -14 nylock nut, part 915114-6 on each end.

Install lift rod assembly, part 4790 to the end of the tractor lift cylinder (clevis, see Fig. 2) and secure with pin, part 932999-4 and hairpin cotter, part S-52-5.

Install belt stop, part 4769 to engine mounting face and secure with  $\frac{7}{16}$ -14 x 3 bolt, part 908053-4. Adjust so that it holds the belt when the attachment clutch rod is declutched.

**NOTE:** Belt stop should not touch the belt when running in raised or lowered position.



(Fig. 3)

### CABLE WRAPPING

1. Face shroud, part 5220 to the right.
2. Thread cable, part 4795 end "A" up thru hole in collar on the shroud about 1" and secure with screw, part 908980-4.
3. Pull cable around the shroud and thread end of cable "B" thru the top hole in crank, part 4764 and back thru the bottom hole of crank. Wrap

- 8 complete turns down in direction shown, see Fig. 3, finish last turn on bottom of crank. Pull cable end "B" behind the hook on the wrapper assembly and thread up thru the second hole in shroud and secure with screw, part 908980-4.
4. Face shroud forward and grip cable end "A" with pliers, loosen screw, pull cable tight and secure with screw.

### OPERATION

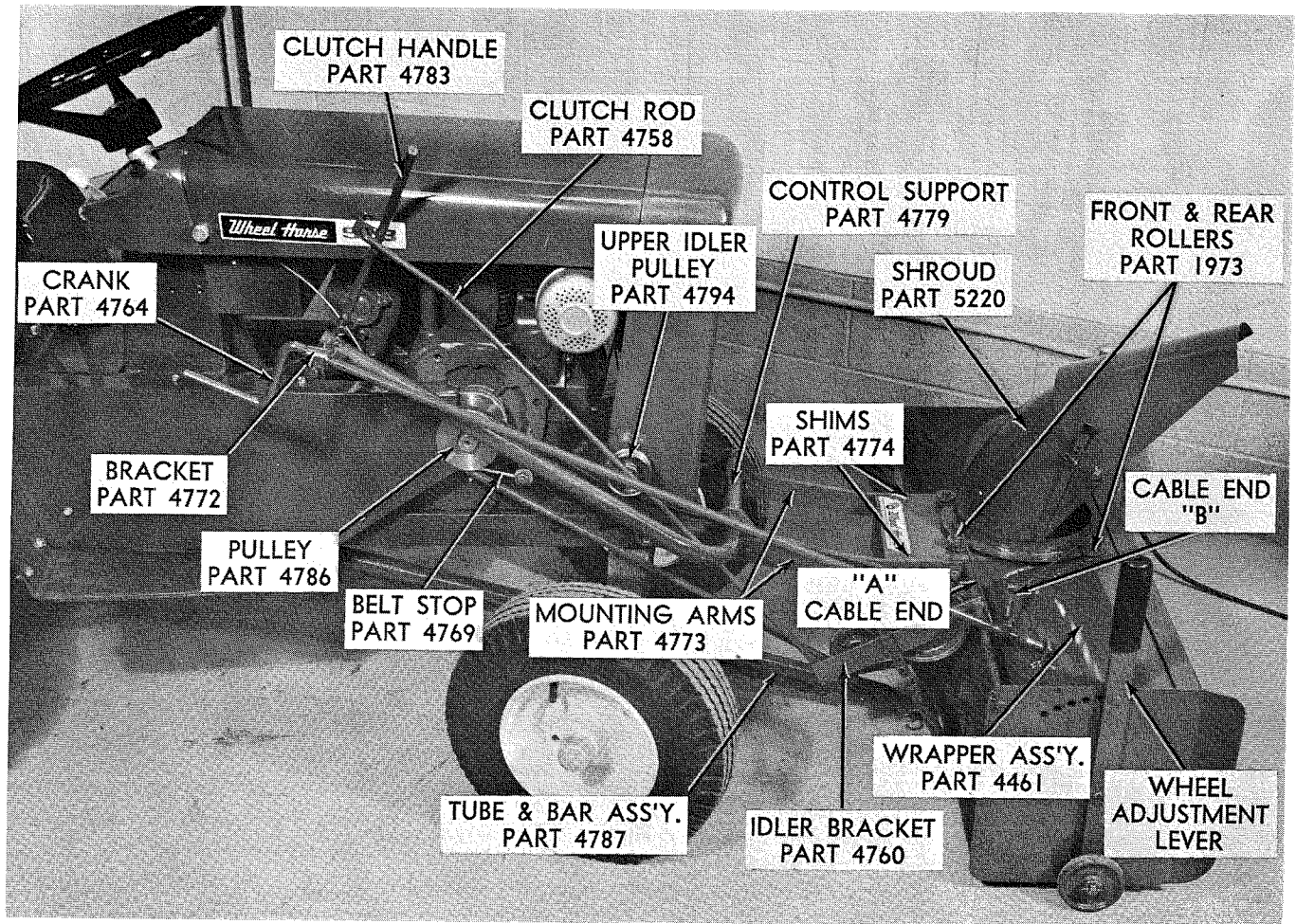
The adjustable shroud allows the operator to control the direction the snow may be thrown by turning the convenient pivot crank. The upper part of the snow shroud is adjustable to deflect the snow in an upward or downward direction depending upon conditions. There are wheels on each side for raising or lowering to prevent the Snow Thrower from catching on uneven surfaces. Under some conditions it will be necessary to coat the auger, shroud and the inside with paraffin or wax to prevent snow and ice from sticking. Best results are obtained with slow forward movement of the tractor and high auger speed, therefore under normal conditions the tractor should be operated in first gear with full throttle.

**CAUTION** — Engage clutch gently, do not snap into engagement. Be especially careful after the blower has set out doors after use. The auger could be frozen to the deck. Always shut off the engine before making any adjustment or lubrication.

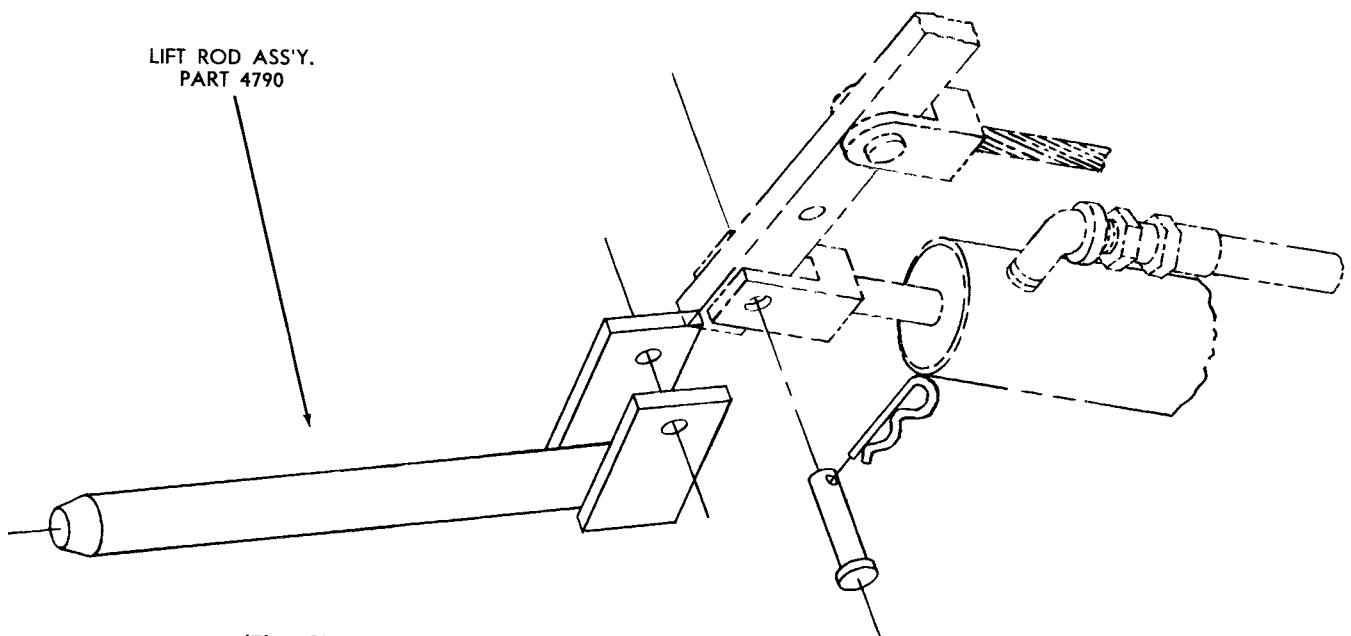
After the first hour of use recheck all bolts, nuts, and set screws — tighten securely. Check chains and belt alignment. Keep children and pets away while operating, there may be rocks or metal in the snow which could be thrown forward or out the chute. Never permit anyone to stand in front of blower when engine is running.

### LUBRICATION

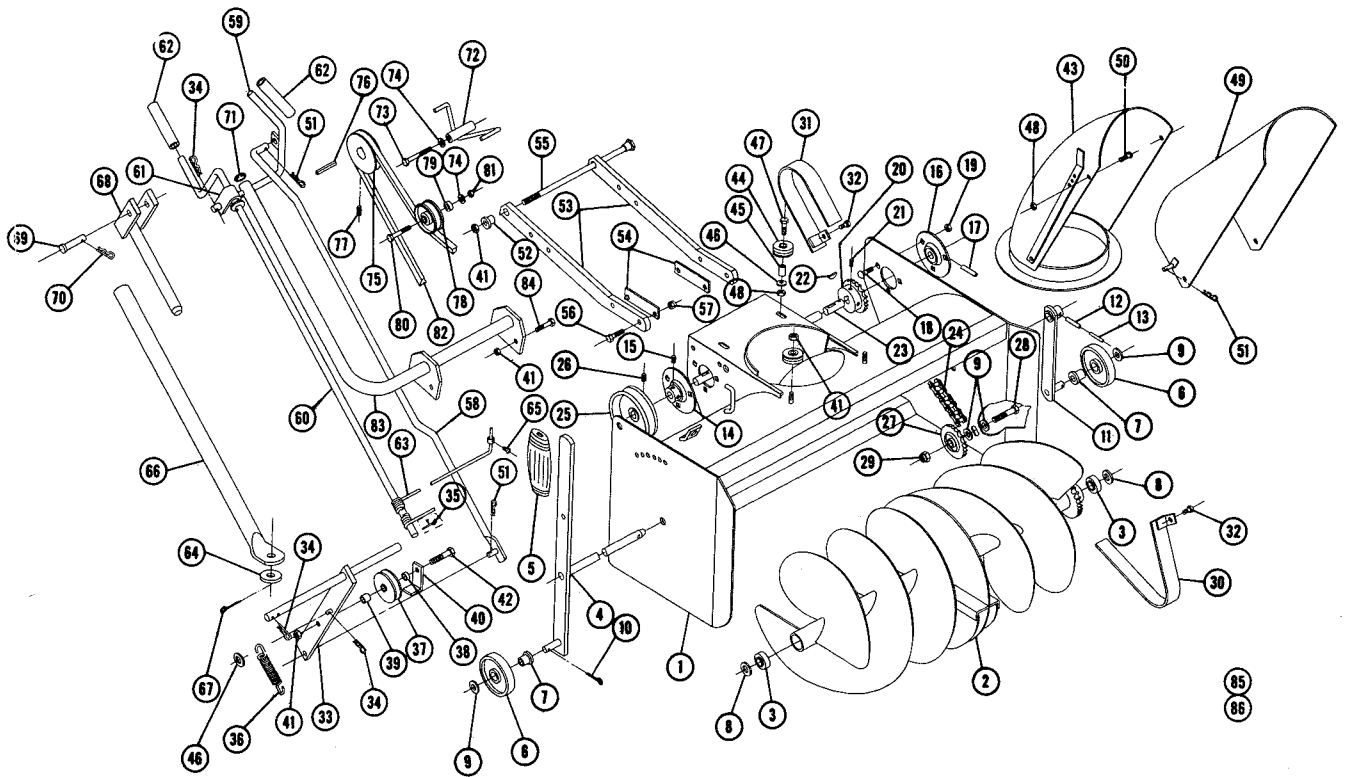
The drive chain should be oiled with a light grade of machine oil. All other bearings and movable parts should be oiled frequently. In storing the Snow Thrower, it is advisable to coat the auger with a heavy machine oil to prevent rust.



(Fig. 1)



(Fig. 2)



## PARTS LIST

When ordering parts always list Part No. and name of part.

Ref. No.	Part No.	Description	No. Req'd.	Ref. No.	Part No.	Description	No. Req'd.
1	4461	Ass'y. Wrapper	1	44	1973	Roller	4
2	4467	Ass'y. Auger	1	45	2163	Spacer	2
3	1515	Bearing - Ball	2	46	920007-4	Washer 1/4 SAE	3
4	4477	Ass'y. Auger Shaft	1	47	908006-4	Bolt - Hex 1/4-20 x 1 1/4	2
5	1000	Grip	1	48	915111-6	Nut - Nylock 1/4-20	4
6	1987	Wheel	2	49	2165	Ass'y. Deflector	1
7	1974	Bushing - Nylon	2	50	909052-4	Bolt - Rd. Hd. 1/4-20 x 1/2	2
8	2090	Washer - Auger	2	51	S-52-3	Hairpin .058 x 1 1/8	3
9	920011-4	Washer - 1/2 SAE	4	52	1982	Spacer	1
10	932016-4	Cotter Pin 1/8 x 3/4	2	53	4773	Arm - Mounting	2
11	5157	Ass'y. Wheel Support	1	54	4774	Shim	2
12	933215	Roll Pin 1/4 x 1 1/4	1	55	4776	Ass'y. Rod & Spacer	1
13	933173	Roll Pin 3/32 x 1 1/4	1	56	908034-4	Bolt - Hex 3/8-16 x 1	4
14	5269	Bearing - Flanged Ball	1	57	915113-6	Nut 3/8-16 Nylock	4
15	909849-6	Set Screw 1/4-20 x 3/16 Nylock	2	58	4758	Ass'y. Clutch Rod	1
16	4571	Bearing - Flanged Ball	1	59	4783	Ass'y. Handle - Clutch	1
17	933216	Roll Pin 1/4 x 1 3/8	1	60	4764	Crank	1
18	900037-4	Bolt - Carriage 3/16-18 x 3/4	6	61	4772	Bracket	2
19	915112-6	Nut - Nylock 3/16-18	6	62	4569	Tube (Rubber)	1
20	2176	Sprocket	1	63	4795	Cable	1
21	909848-6	Set Screw 1/4-20 Hex - Soc. Nylock	2	64	920013-4	Washer 3/8 SAE	1
22	937014	Key #9 Woodruff	2	65	908980-4	Screw - Rd. Hd. Mach. #6-32 x 1/4	2
23	4757	Shaft - Drive	1	66	4787	Ass'y. Tube & Bar	1
24	2175	Chain	1	67	932034-4	Cotter Pin 3/16 x 1	1
25	4793	Pulley - Drive Shaft 5" O.D.	1	68	4790	Ass'y. Lift Rod	1
26	909862-6	Set Screw 3/16-18 x 3/16 Nylock	2	69	932999-4	Pin	1
27	2174	Sprocket - Idler	1	70	S-52-5	Hairpin Cotter .091 x 1 1/8	1
28	908060-4	Bolt - 1/2-13-1 3/4	1	71	935105-1	Plug - Button	1
29	915607-4	Nut - Type TU 1/2-13 Elastic Stop	1	72	4769	Ass'y. Belt Stop	1
30	2089	Ass'y. Guard - Inner	1	73	908053-4	Bolt - Hex 3/16-14 x 3	1
31	2162	Ass'y. Guard - Outer	1	74	920010-4	Washer 3/16 SAE	3
32	1391	Screw - Sems 1/4-20 x 3/8	4	75	4786	Pulley - Engine	1
33	4760	Ass'y. Idler Bracket	1	76	1349	Key 1/4 x 1/4 x 1 1/2	1
34	S-52-4	Hairpin .072 x 1 1/16	8	77	909852-4	Set Screw 1/4-20 x 1/2	2
35	932017-4	Cotter Pin 1/8 x 1	1	78	4794	Pulley - Upper Idler	1
36	5185	Spring	1	79	4763	Spacer	1
37	1623	Pulley - Idler	1	80	5286	Rod	1
38	1536	Spacer 3/16 Long	1	81	915114-6	Nut - Nylock 3/16-14	2
39	2233	Spacer 1/2 Long	1	82	1576	Belt - Drive 70"	1
40	3760	Bracket - Belt Guide	1	83	4779	Ass'y. Control Support	1
41	915113-6	Nut Nylock 3/8-16	8	84	908034-4	Bolt Hex 3/8-16 x 1	4
42	908038-4	Bolt - 3/8-16 x 2 Hex	1	85	4498	Decal - Gen. Caution	1
43	5220	Ass'y. Shroud	1	86	4411	Decal - Attachment	1

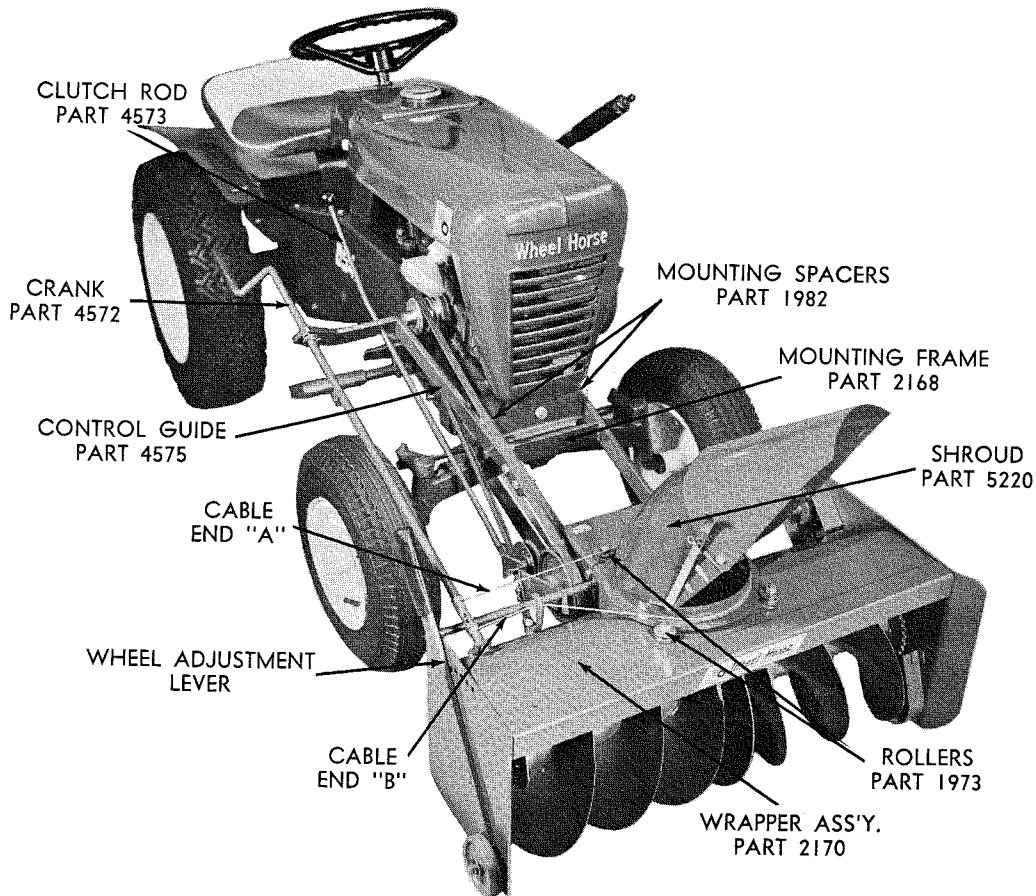
# PARTS LIST AND INSTRUCTIONS



*Wheel Horse*

WHEELHORSE PRODUCTS, INC. • SOUTH BEND, IND.

## SNOW THROWER ST-324



(Fig. 1)

### ASSEMBLY

Remove Snow Thrower from carton and fasten control guide part 4575 to mounting frame, part 2168. Secure with two  $\frac{3}{8}$ -16 x  $1\frac{1}{4}$  bolts, part 908035-4 and  $\frac{3}{8}$ -16 nylock nuts, part 915113-6. (NOTE: Be sure the drive belt, part 1589 is on the inside of bracket toward the tractor).

Install mounting frame to wrapper assembly, part 2170 and secure with four  $\frac{3}{8}$ -16 x  $\frac{7}{8}$  bolts, part 908033-4 and nylock nuts, part 915113-6.

Install the shroud, part 5220 in the grooves of the front and rear rollers, part 1973. Adjust rear rollers by sliding forward. Be sure rollers turn freely and shroud turns freely. Secure with two  $\frac{1}{4}$ -20 x  $1\frac{1}{4}$  bolts, part 908006-4 and hex nylock nuts, part 915111-6.

Move wheel adjustment lever all the way forward so wheels are down. Roll the unit to the tractor and secure with two mounting spacers, part 1982 and one  $\frac{3}{8}$ -16 x  $8\frac{1}{2}$  bolt, part 900854-4 and nylock nut, part 915113-6.

Install crank, part 4572 thru the hole in the control guide, and thru the hole in the bracket on the

wrapper assembly, part 2170. Secure with cotter pin,  $\frac{1}{8}$  x 1, part 932017-4. Bend both ends around the crank.

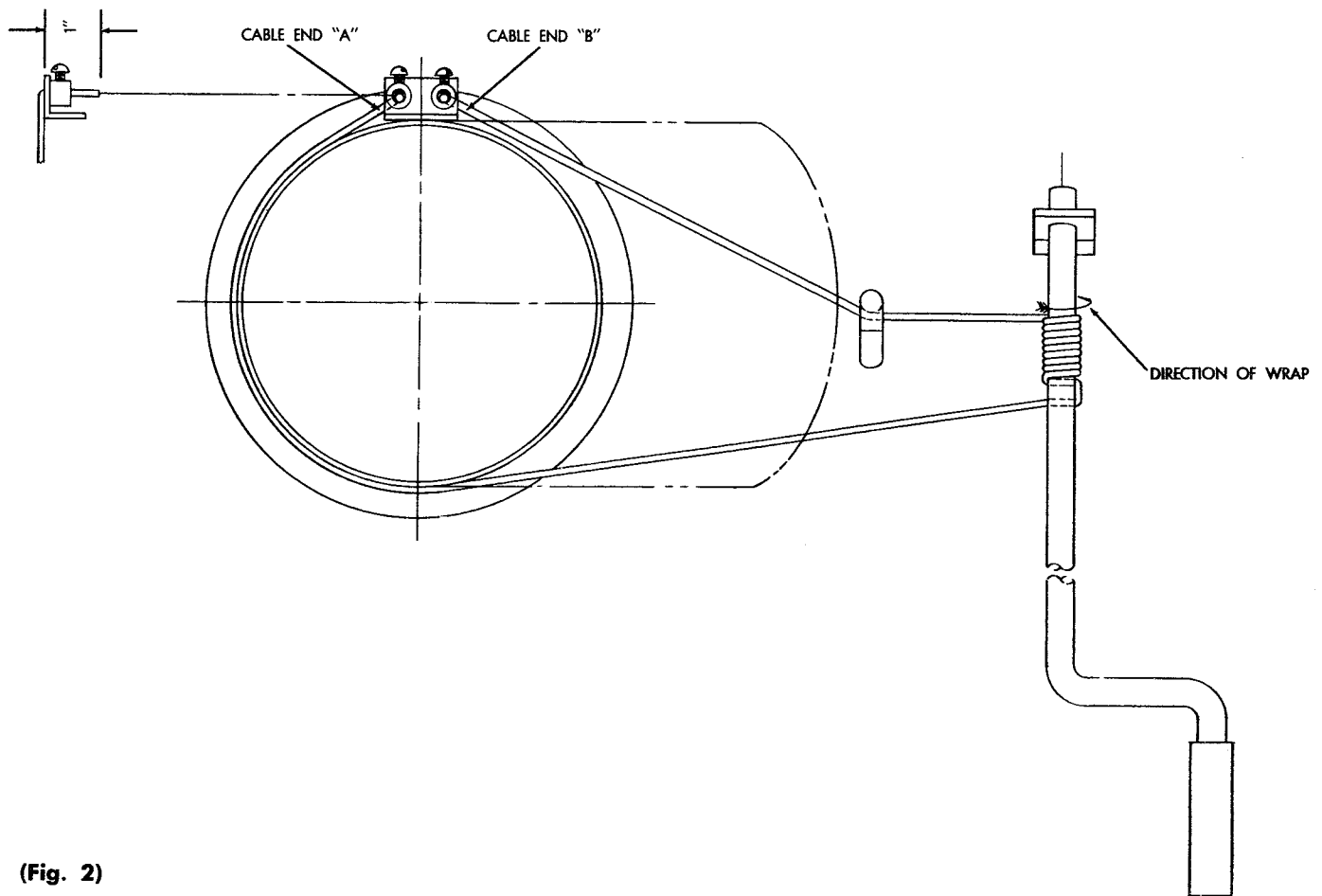
Install drive belt, part 1589 in outside groove on the tractor engine pulley.

Install clutch rod, part 4573 thru slot in control guide and secure to idler bracket, with hair pin cotter, part S-52-4. Install lift rod, part 1986 to top hole in bottom arm of tractor lift and secure with hairpin cotter, part S-52-4.

Top hole in the tractor lift must be enlarged to  $\frac{13}{32}$  in diameter on all 701, 552, 502, and 702 tractors.

Slide lift tube, part 3093 over lift rod, and over pin on snow thrower wear plate. Secure with  $\frac{1}{2}$ " flat washer, part 920011-4 and cotter pin, part 932034-4.

Fasten the belt stop, part 4441 to the engine with  $\frac{5}{16}$ -24 x  $\frac{3}{4}$  screw, part 3385 and  $\frac{5}{16}$  lock washer, part 920082-4 on all tractors with Lauson engines. Tractors with Kohler engines use  $\frac{3}{8}$ -16 x  $\frac{3}{4}$  screw, part 909084-4 and  $\frac{3}{8}$  lock washer, part 920083-4. Adjust belt stop so that it holds the belt when the attachment clutch rod is declutched. (NOTE: Belt stop bracket should not touch the belt when running.)



(Fig. 2)

### CABLE WRAPPING

1. Face shroud, part 5220 to the right.
2. Thread cable, part 4795 end "A" up thru hole in collar on the shroud about 1" and secure with screw, part 908980-4.
3. Pull cable around the shroud and thread end of cable "B" thru the top hole in crank, part 4572 and back thru the bottom hole of crank. Wrap

8 complete turns down in direction shown, see Fig. 2. Finish last turn on bottom of crank. Pull cable end "B" behind the hook on the wrapper assembly and thread up thru the second hole in shroud. Secure with screw, part 908980-4.

4. Face shroud forward and grip cable end "A" with pliers. Loosen screw, pull cable tight and secure with screw.

### OPERATION

The adjustable shroud allows the operator to control the direction the snow may be thrown by turning the convenient crank. The upper part of the snow shroud is adjustable to deflect the snow in an upward or downward direction depending upon conditions. There are wheels on each side for raising or lowering to prevent the Snow Thrower from catching on uneven surfaces. Under some conditions it will be necessary to coat the auger, shroud and the inside with paraffin or wax to prevent snow and ice from sticking. Best results are obtained with slow forward movement of the tractor and high auger speed, therefore under normal conditions the tractor should be operated in first gear with full throttle.

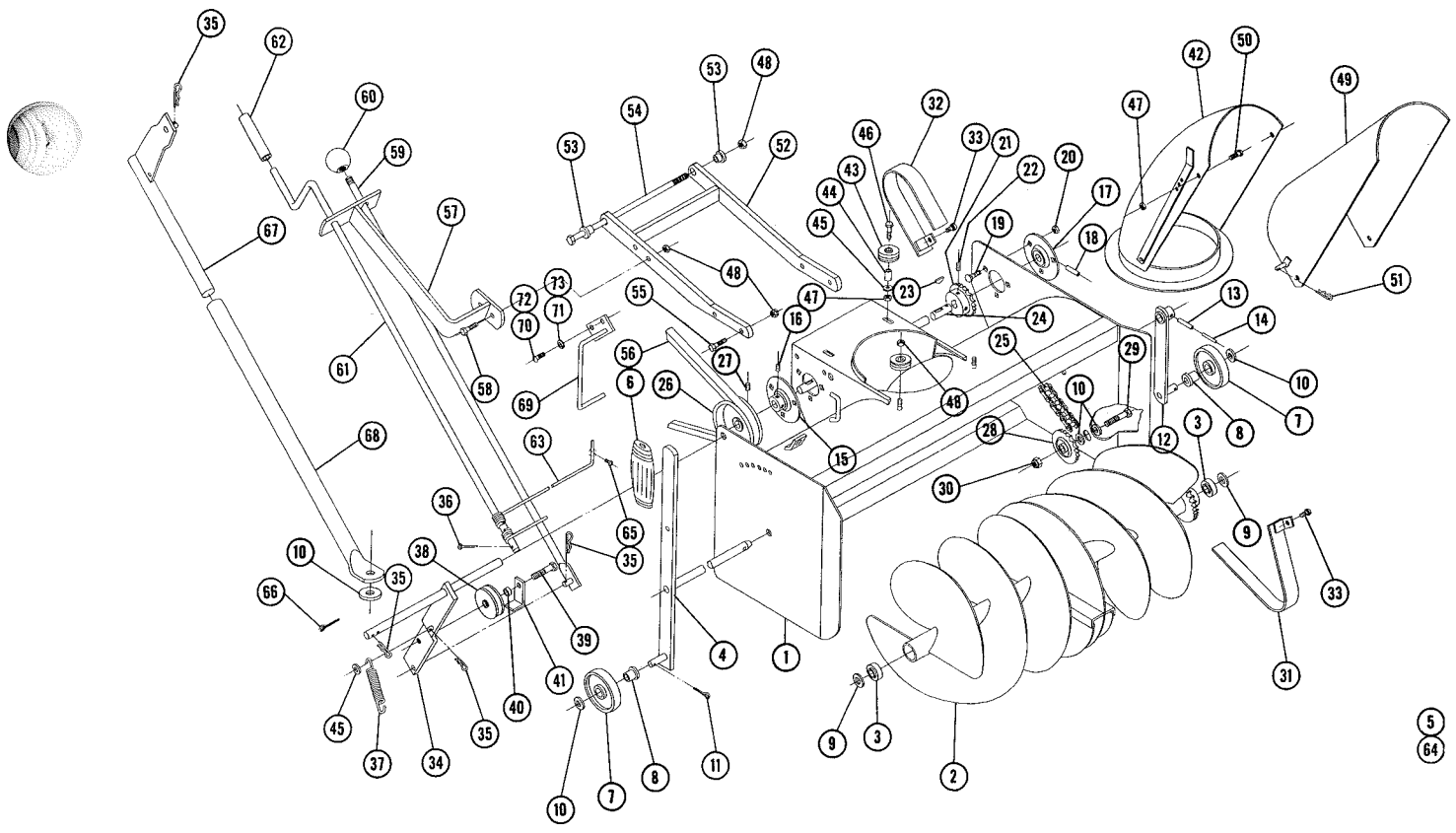
**CAUTION** — Engage clutch gently. Do not snap into engagement. Be especially careful after the

blower has set outdoors after use. The auger could be frozen to the deck. Always shut off the engine before making any adjustment or lubrication.

After the first hour of use recheck all bolts, nuts, and set screws — tighten securely. Check chains and belt alignment. Keep children and pets away while operating, there may be rocks or metal in the snow which could be thrown forward or out the chute. Never permit anyone to stand in front of blower when engine is running.

### LUBRICATION

The drive chain should be oiled with a light grade of machine oil. All other bearing and movable parts should be oiled frequently. In storing the Snow Thrower, it is advisable to coat the auger with a heavy machine oil to prevent rust.



## PARTS LIST

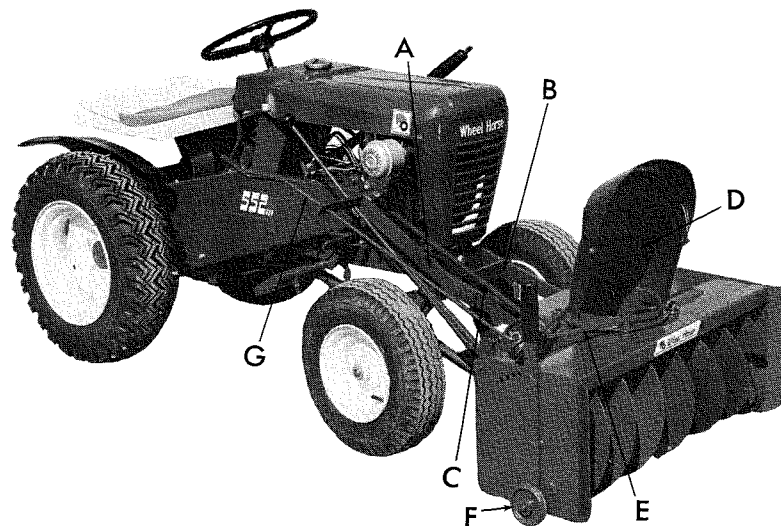
When ordering parts always list Part No. and name of part.

Ref. No.	Part No.	Description	No. Req'd.	Ref. No.	Part No.	Description	No. Req'd.
1	2170	Ass'y. Wrapper	1	38	1623	Pulley — Idler	1
2	2172	Ass'y. Auger	1	39	908038-6	Bolt 3/8-16 x 1 1/4 Hex Nylock	1
3	1515	Bearing	2	40	1536	Spacer 3/16 Long	1
4	5155	Ass'y. Auger Shaft	1	41	3760	Bracket — Belt Guide	1
5	4411	Decal — Attachment	1	42	5220	Ass'y. Shroud	1
6	1000	Grip	1	43	1973	Roller	4
7	1987	Wheel	2	44	2163	Spacer	2
8	1974	Bushing — Nylon	2	45	920007-4	Washer 1/4 SAE	2
9	2090	Washer Auger	1	46	908006-4	Bolt — Hex 1/4-20 x 1 1/4	2
10	920011-4	Washer	6	47	915111-6	Nut — Nylock 1/4-20	4
11	932016-4	Cotter Pin 1/8 x 3/4	2	48	915113-6	Nut Nylock 3/8-16	9
12	5157	Ass'y. Wheel Support	1	49	2165	Ass'y. Deflector	1
13	933215	Roll Pin 1/4 x 1 1/4	1	50	909052-4	Bolt — R.D. H.D. 1/4-20 x 1/2	2
14	933173	Roll Pin 5/32 x 1 1/4	1	51	S-52-3	Hairpin — .058 x 1 1/8	1
15	5269	Bearing — Flanged Ball	1	52	2168	Ass'y. Mounting Frame	1
16	909862-6	Set Screw 5/16-20 x 5/16 Nylock	2	53	1982	Spacer	2
17	4571	Bearing — Flanged Ball	1	54	900854-4	Bolt — Sq. Hd. 3/8-16 x 8 1/2	1
18	933216	Roll Pin 1/4 x 1 5/8	1	55	908033-4	Bolt Hex 3/8-16 x 7/8	4
19	900037-4	Bolt Carriage 5/16-18 x 3/4	6	56	1589	Belt — Drive	1
20	915112-6	Nut Nylock 5/16-18	6	57	4575	Bracket — Control Guide & Support	1
21	2176	Sprocket	1	58	908035-4	Bolt — Hex 3/8-16 x 1 1/4	2
22	909848-6	Set Screw 1/4-20 Hex-Soc. Nylock	2	59	4573	Ass'y. Rod — Clutch	1
23	937014	Key #9 Woodruff	2	60	1001	Knob	1
24	2083	Shaft — Drive	1	61	4572	Crank	1
25	2175	Chain	1	62	4569	Tube — Rubber	1
26	1969	Pulley — Drive Shaft — 4 3/4 O.D.	1	63	4795	Cable	1
27	909862-6	Set Screw 5/16-18 x 5/16 Nylock	2	64	4498	Decal — Gen. Caution	1
28	2174	Sprocket — Idler	1	65	908980-4	Screw — Rd. Hd. Mach. #6-32 x 1/4	2
29	908060-4	Bolt — Hex 1/2-13 x 1 3/4	1	66	932034-4	Cotter Pin 3/16 x 1	1
30	915607-4	Nut-Type TU 1/2-13 Elastic Stop	1	67	1986	Ass'y. Lift Rod	1
31	2089	Ass'y. Guard — Inner	1	68	3093	Lift Tube	1
32	2162	Ass'y. Guard — Outer	1	69	4441	Ass'y. Belt Stop	1
33	1391	Screw — Sems 1/4-20 x 3/8	4	70	3385	Screw — R.D. H.D. 5/16-24 x 3/4 (Lauson)	1
34	4576	Ass'y. Idler Bracket	1	71	920082-4	Lock Washer 5/16 Dia. (Lauson)	1
35	S-52-4	Hairpin Cotter — .072 x 1 1/16	4	72	909084-4	Screw — Rd. Hd. 3/8-16 x 3/4 (Kohler)	1
36	932017-4	Cotter Pin 1/8 x 1	1	73	920083-4	Lock Washer 3/8 Dia. (Kohler)	1
37	5185	Spring	1				



WHEELHORSE PRODUCTS, INC. • SOUTH BEND, IND.

## SNOW THROWER ST-323



### ASSEMBLY

Remove the Snow Thrower from carton and fasten bracket control support, part number 1989 "A", to mounting frame, part number 2168 "B", and secure with two  $\frac{3}{8}$  - 16 x  $1\frac{1}{4}$  bolts, part number 908035-4, and  $\frac{3}{8}$  - 16 Nylock nuts, part number 915113-6, (be sure the drive belt, part number 1589 "C", is on the inside of bracket toward the tractor).

Install the shroud, part number 2167 "D", in the grooves of the front and rear rollers, part number 1973. Adjust rear rollers by sliding forward. Be sure rollers turn freely and shroud turns freely. Secure with two  $\frac{1}{4}$  - 20 x  $1\frac{1}{4}$  bolts, part number 900589-4, and  $\frac{1}{4}$  - 20 Nylock nuts, part number 915111-4.

Install 43" V belt, part number 1590 "E", around shroud and secure with belt clip, part number 2079, and keps nut, part number S-55-10.

Adjust auger wheel assembly, part number 2169 "F", so the wheels are on the floor. Roll the unit to the tractor and secure with two mounting spacers, part number 1982, and one  $\frac{3}{8}$  - 16 x  $8\frac{1}{2}$  bolt, part number 900854-4, and  $\frac{3}{8}$  - 16 Nylock nut, part number 915113-6.

Install pivot crank, part number 2095 "G", through hole in the end of the bracket support, part number 1989 "A".

Install the 43" V belt, part number 1590 "E", around the eye bolt sheave, part number 1980, and secure with one  $\frac{3}{8}$  - 16 Nylock nut, part number 915113-6, (be sure eye bolt sheave turns freely).

Install hair pin, part number 1386, after compressing spring, part number 2588, for shroud belt tension.

Install drive belt, part number 1589, in second groove on the tractor engine pulley.

Install clutch rod, part number 2182, and secure with hair pin, part number 1386.

Install lift rod, part number 1986, to tractor lift and secure with hair pin, part number 1386, this top hole in the tractor lift plate must be opened up to  $\frac{1}{32}$  in diameter on all 701, 552, 502, and 702 tractors.

Slide lift tube, part number 1997, over lift rod, part number 1986, and over hook pin on Snow Thrower wear plate. Secure with one  $\frac{1}{2}$ " flat washer, part number 920011-4, and one cotter pin, part number 932034-4.

Fasten the belt guard bracket, part number 4441, to the engine with  $\frac{5}{16}$  - 24 x  $\frac{1}{2}$  lock washer, part number 920082, on all 502 and 552 tractors. For 701 and 702 tractors use  $\frac{3}{8}$  - 16 x  $\frac{1}{2}$  screw, part number 920083-4, and  $\frac{3}{8}$  lock washer. Adjust so that it holds the belt when the attachment clutch rod is released. (Note: Belt idler bracket should not touch the belt when running).

### OPERATION

The adjustable shroud allows the operator to control the direction the snow may be thrown by turning the convenient pivot crank. The upper part of the snow shroud is adjustable to deflect the snow in an upward or downward direction depending upon conditions. There are wheels on each side for raising or lowering to prevent the Snow Thrower from catching on uneven surfaces. Under some conditions it will be necessary to coat the auger, shroud and the inside with paraffin or wax to prevent snow and ice from sticking. Best results are obtained with slow forward movement of the tractor and high auger speed, therefore under normal conditions the tractor should be operated in first gear with full throttle.

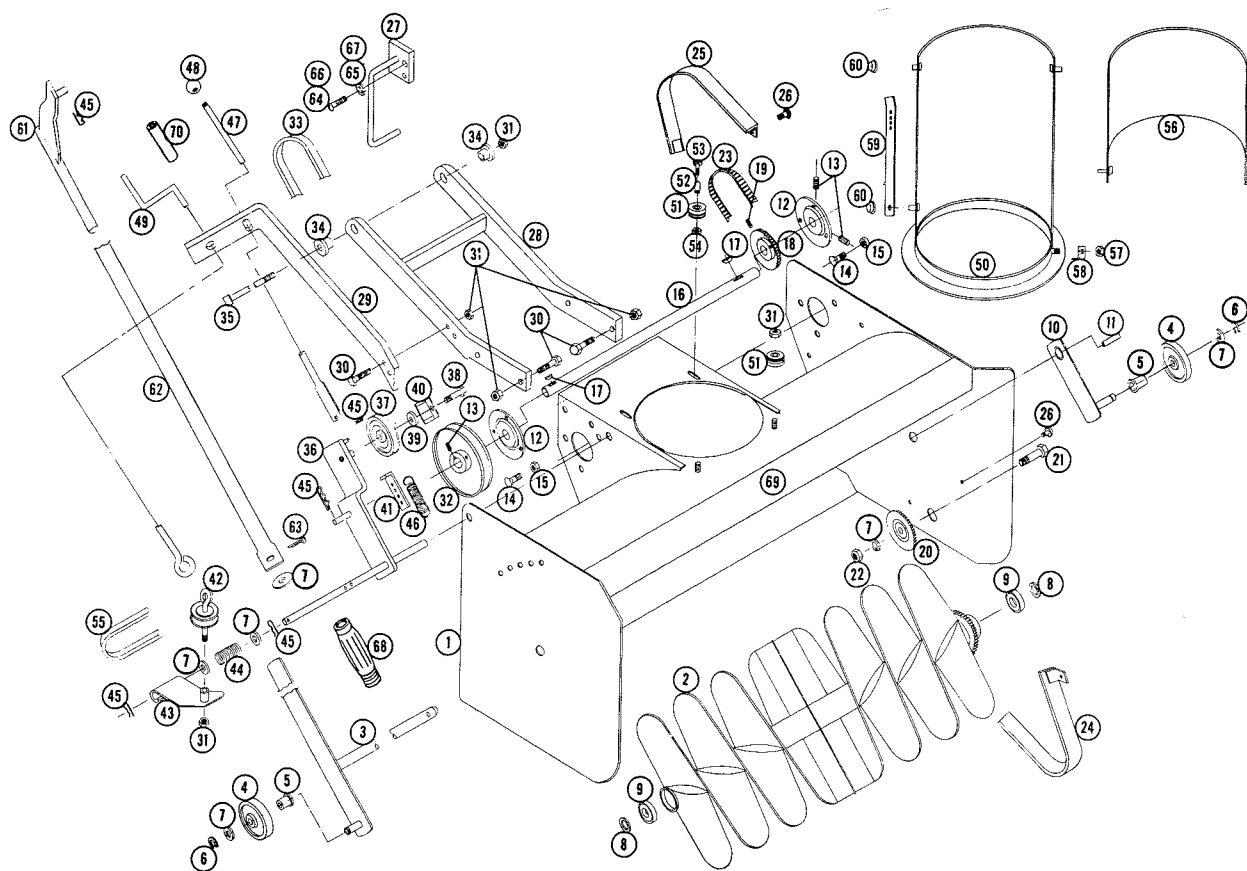
The shroud belt tension can be adjusted by compressing the spring more and moving hair pin to the next hole.

The drive belt tension can be increased by moving link, part number 2808, up one or two holes.

### LUBRICATION

The drive chain should be oiled with a light grade of machine oil. All other bearing and movable parts should be oiled frequently. In storing the Snow Thrower, it is advisable to coat the auger with a heavy machine oil to prevent rust.





## PARTS LIST

Ref. No.	Part No.	Description	Req'd. No.	Ref. No.	Part No.	Description	Req'd. No.
1	2170	Ass'y Wrapper (weld)	1	37	1623	Pulley - Idler	1
2	2172	Assy Auger (weld)	1	38	908035-6	Bolt — Nylock $\frac{3}{8}$ - 16 x $\frac{1}{4}$	1
3	2169	Ass'y - Auger Shaft (weld)	1	39	1536	Spacer	1
4	1987	Wheel	2	40	3760	Bracket - Belt Guard	1
5	1974	Bushing	2	41	2808	Link - Spring Tension	1
6	S-50-50	Snap Ring .500 Dia. External	2	42	1980	Ass'y Eye Bolt sheave (weld)	1
7	920011-4	Washer $\frac{1}{2}$ Dia.	6	43	2085	Ass'y Bracket & Tube (weld)	1
8	2090	Washer .781 Dia.	2	44	2588	Spring - Compression	1
9	1515	Bearing - Ball	2	45	S-52-1	Hair Pin	5
10	1972	Ass'y Wheel Support (weld)	1	46	1129	Spring - Ext.	1
11	933213	Roll Pin $\frac{1}{4}$ x 1	1	47	2182	Ass'y - Rod - Clutch (weld)	1
12	1968	Bearing - Flanged Ball	2	48	1001	Knob	1
13	909862-4	Set Screw $\frac{3}{16}$ - 18 x $\frac{5}{16}$	6	49	2095	Crank	1
14	900037-4	Bolt - Carriage $\frac{3}{16}$ - 18 x $\frac{3}{4}$	6	50	2167	Ass'y Shroud (weld)	1
15	915112-6	Nut - Nylock $\frac{3}{16}$ - 18	6	51	1973	Roller - Shroud	4
16	2083	Shaft - Drive	1	52	2163	Spacer - Tube	2
17	937014	Key #9 Woodruff	2	53	908006-4	Bolt $\frac{1}{4}$ - 20 x $\frac{1}{4}$ Hex	2
18	2176	Sprocket - Drive	1	54	915111-4	Nut $\frac{1}{4}$ - 20 Hex	2
19	909848-4	Set Screw $\frac{1}{4}$ - 20	2	55	1590	Belt - Shroud Drive	1
20	2174	Sprocket - Idler	1	56	2165	Ass'y Deflector (weld)	1
21	908059-4	Bolt - Hex $\frac{1}{2}$ - 13 x $1\frac{1}{2}$	1	57	S-55-10	Nut - Keps #10-32	1
22	915115-4	Nut $\frac{1}{2}$ - 13 Hex	1	58	2079	Clip - Belt	1
23	2175	Chain	1	59	2078	Arm - Deflector Spring	1
24	2089	Ass'y Guard (weld) Inner	1	60	2185	Speed Nut (.187)	3
25	2162	Ass'y Guard (weld) Outer	1	61	1986	Ass'y Lift Rod - (weld)	1
26	1391	Screw - Sems $\frac{1}{4}$ - 20 x $\frac{3}{8}$	4	62	1997	Tube Lift	1
27	4441	Ass'y Guard - Belt (weld)	1	63	932034-4	Pin Cotter $\frac{3}{16}$ x 1	1
28	2168	Ass'y Mounting Frame (weld)	1	64	1432	Screw Rd. Hd. Mach. $\frac{5}{16}$ - 24 x $\frac{1}{2}$	1
29	1989	Bracket - Control Support	1	65	920082-4	Lock Washer $\frac{5}{16}$ (Used with Lawson) (used with 4441 Ass'y.)	1
30	908035-4	Bolt $\frac{3}{8}$ - 16 x $1\frac{1}{4}$ Hex	6	66	909082-4	Screw Rd. Hd. Mach $\frac{3}{8}$ - 16 x $\frac{1}{2}$	1
31	915113-6	Nut - Nylock $\frac{3}{8}$ - 16	10	67	920083-4	Lock Washer $\frac{3}{8}$ (Used with Kohler) (used with 4441 Ass'y.)	1
32	2177	Pulley - Drive	1	68	1000	Grip	1
33	1589	Belt - Drive	1	69	4411	Decal	1
34	1982	Spacer - Tractor Mt'g.	2	70	2594	Tube - Handle Grip	1
35	900854-4	Bolt - Sq. Hd. $\frac{3}{8}$ - 16 x $8\frac{1}{2}$	1				
36	2092	Ass'y Bracket (weld) Idler	1				

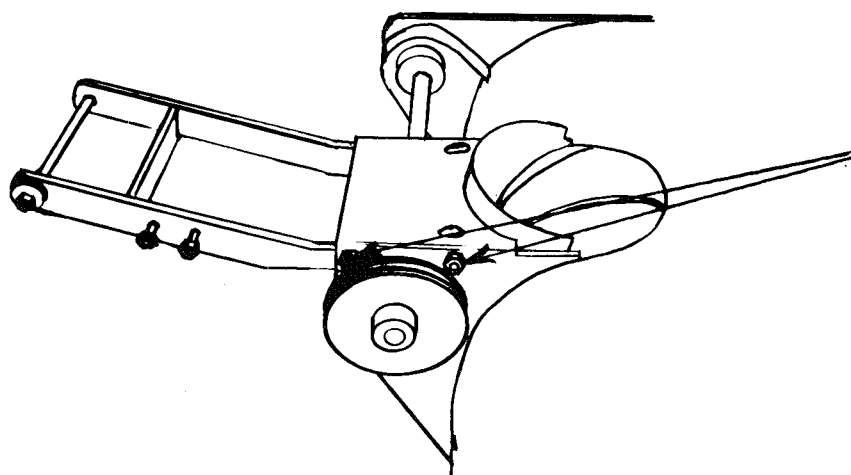
# ST-323 SNOW THROWER



## ADDITIONAL ASSEMBLY INSTRUCTIONS AND SERVICE HINTS

AFTER REMOVING THE SNOW THROWER FROM ITS CARTON, BEFORE BEGINNING ASSEMBLY AS DESCRIBED IN YOUR INSTRUCTIONS, COMPLETE THE FOLLOWING. SECURE MOUNTING FRAME "B" PART NUMBER 1268, TO THE SNOW THROWER WITH FOUR 3/8-16 BOLTS, AND FOUR 3/8-16 NUTS.

NOTE: A few of the first snow throwers had bolt 908035-4 3/8-16 x 1 $\frac{1}{4}$ . This bolt has since been changed to Bolt 908033-4 3/8-16 x 7/8 to ease assembly and to prevent interference of the bolt with the pulley.



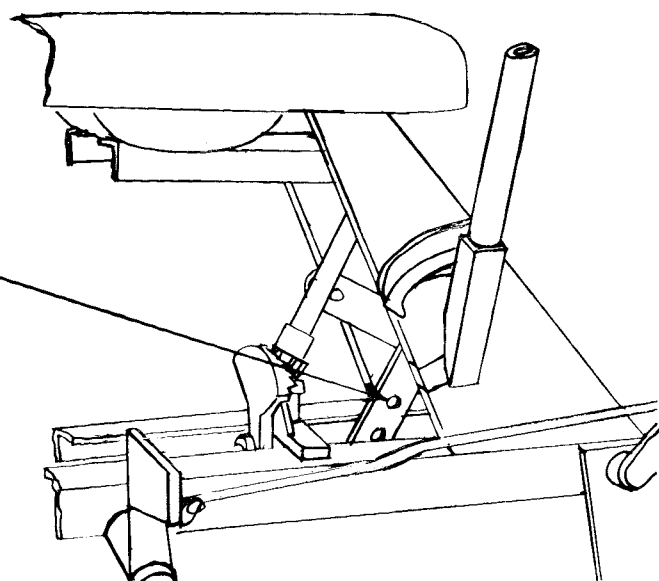
Replace with 3/8-16 x 7/8 bolts or place washers behind bolt to space away from pulley.

FIG. I

On 1961-62 tractor models, the lower lift arm is provided with three holes for 1/4 inch pins. On 1963 tractors, the two top holes have been enlarged to 13/32 to permit lifting heavy implements such as the Snow Thrower and Reel Mower without shearing of the pin or bolt. On the 502, 552, 701 and 702 tractors, enlarge the upper most hole as shown in (Figure II) to 13/32. The Snow Thrower lift is secured by pin and quick attach cotter pin in this upper hole as illustrated. Any other holes result in excess lift effort.

1961-62 tractors, drill 13/32 diameter; mount Snow Thrower lift assembly into this hole.

FIG. II

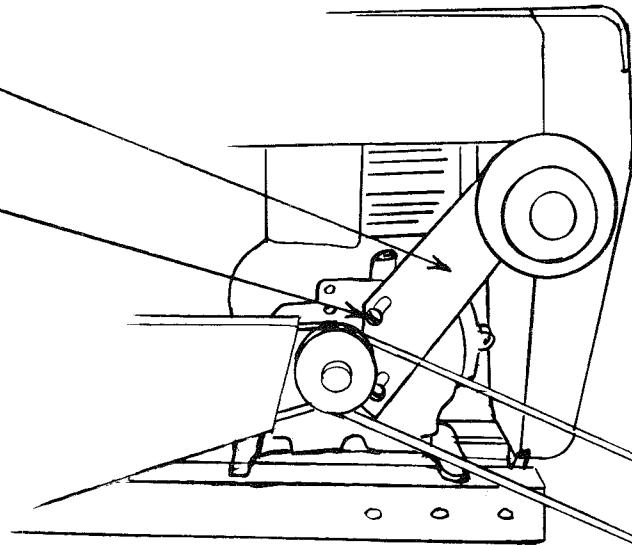


Tecumseh Engines on 502, 552, 603 and 653 tractors have been provided with an improved muffler support bracket. When Snow Throwers are secured to these tractors, it is necessary to replace screw #1432, 5/16-2 x 1/2 with a longer screw #3385, 5/16-24 x 3/4 when securing belt retainer clip, #4441, to the engine. These screws may be obtained from Wheel Horse or any 5/16-24 x 3/4 screw or cap screw may be used.

New muffler support bracket

Replace with 5/16-24 x 3/4  
screw or cap screw

FIG. III



Your ST-323 Snow Thrower is provided with a belt of minimum length to provide maximum life under severe operating conditions.

Clutching will not be effective when the machine is in the lowered position until the machine is operated under load for about an hour. Loading the unit results in the belt seating in the V-Belt pulleys and quickly wears off the excess sticky rubber on the sides of the belt. After the belt is seated in the pulleys and this rubber is worn off, it should clutch in any position.

**NOTE:** The ST-323 Snow Thrower is provided with adjustable gauge rollers. In the lowest position, the auger will actually engage the ground. This position is NOT for general operation. It is provided for use in heavy compacted snows. In these snows, the auger can be set low to penetrate and remove the packed snow where other machines could not.

**CAUTION:** NEVER ATTEMPT TO ADJUST OR LUBRICATE YOUR SNOW THROWER WHILE THE TRACTOR ENGINE IS RUNNING. ALWAYS SHUT OFF MOTOR AND LOCK PARKING BRAKE BEFORE SERVICING. KEEP CHILDREN AWAY WHEN OPERATING.

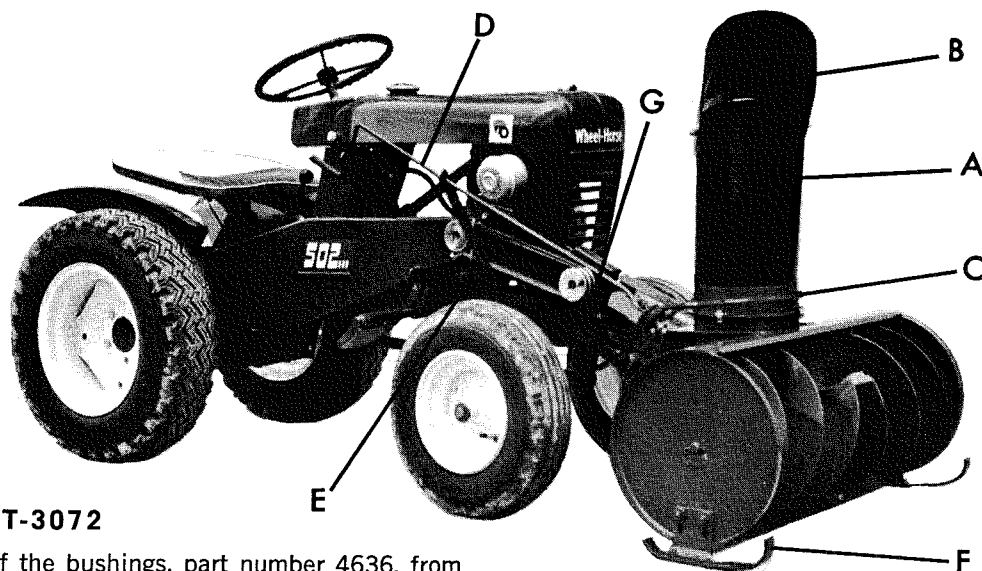
## PARTS LIST AND INSTRUCTIONS



*Wheel Horse*®

WHEELHORSE PRODUCTS, INC. • SOUTH BEND, IND.

# SNOW THROWER ST-3072 & ST-302



### ASSEMBLY ST-3072

Remove one of the bushings, part number 4636, from the top of the shroud, install chute, part number 4605 "A", and replace bushing. (Be sure bushing turns freely before securing with lock nut.) Fasten the chute deflector, part number 4609 "B", to chute with the two  $\frac{1}{4}$ " x  $\frac{1}{2}$ " machine screws, part number 1437, and wing nuts, part number 1327. Place the 45" V-belt, part number 1581 "C", around the chute and the eye bolt sheave and install spring, part number 1014.

Insert pivot crank, part number 4637 "D", through hole in the end of the pivot crank support, part number 4644, then hook pivot crank to the eye bolt sheave. Fasten the front mounting supports, part number 2519, to the tractor frame using the four  $\frac{3}{8}$ " x  $1\frac{1}{4}$ " bolts, part number 1426, and secure the pivot crank support to the right side with the same bolts.

Install the two 31" V-belts, part number 1580, and adjust the clutch rod, part number 4096 "E", so that the belts have the proper tension when the attachment clutch pedal is pushed forward to the locked position. Fasten the belt idler bracket, part number 4617, to the engine with the  $\frac{5}{16}$ " x  $\frac{1}{2}$ " bolt, part number 1195 and adjust so that it holds the belt when the attachment clutch pedal is released. (Note: Belt idler bracket should not touch the belts when running.)

Fasten the lift arm, part number 1949, to the lift assembly, part number 4638, with the  $\frac{3}{8}$ " x 1" bolt, part number 1425. (Be sure lift arm is installed with the  $\frac{3}{8}$ " hole toward the front.) Remove the lift cable from the bottom hole in the tractor lift and install the other end of the lift arm, in the bottom hole with the  $\frac{1}{4}$ " x 1" bolt, part number 1439.

### ASSEMBLY ST-302

When mounting the ST-302 snow thrower, install the mounting bracket, part number 4630, first and then fol-

low the assembly instruction for the ST-3072. It is necessary to install the clutch pedal, part number 4656, and the belt guard, part number 3819. (Note: The ST-302 uses a single 74" V-belt, part number 1582, instead of the double belt drive necessary on the ST-3072.) The ST-302 also uses a different lift rod, part number 4651, one end of which is fastened to the bottom of the lift lever and the other end to the lift assembly, part number 4638.

### OPERATION

The adjustable chute allows the operator to control the direction the snow may be thrown by turning the convenient pivot crank. The upper part of the snow chute is adjustable to deflect the snow in an upward or downward direction depending upon conditions. There are also skids "F" on each side which may be raised or lowered to prevent the snow thrower from catching on uneven surfaces.

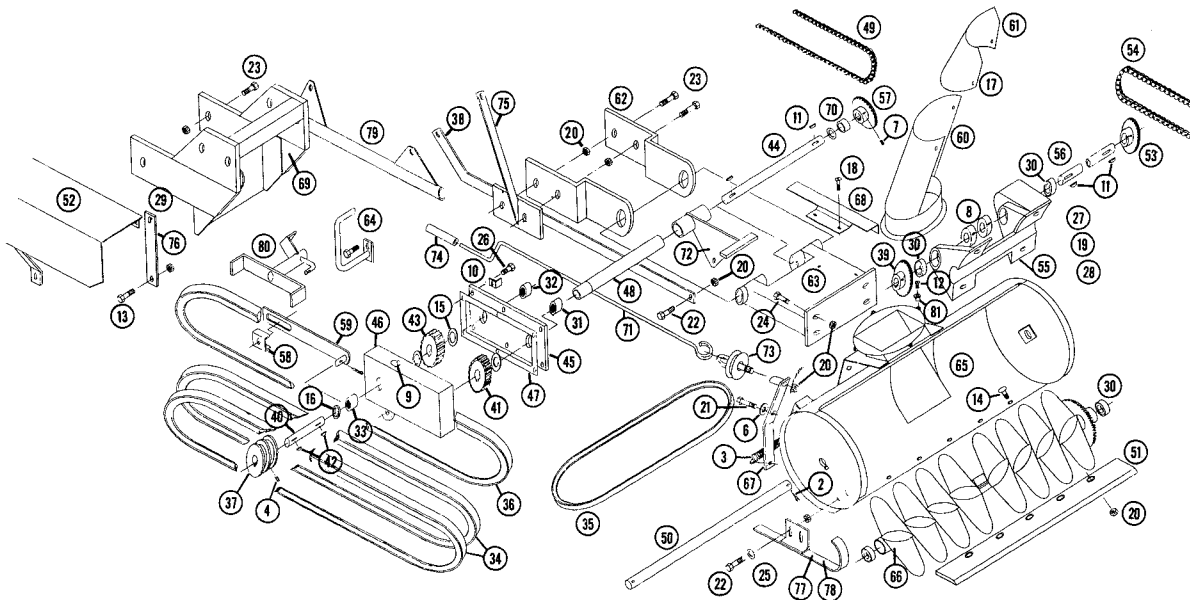
Under some conditions, it will be necessary to coat the auger, chute, and the inside of the shroud with paraffin or wax to prevent snow and ice from sticking. Best results are obtained with slow forward movement of the tractor and high auger speed. Therefore, under normal conditions, the tractor should be operated in first gear with full throttle.

### LUBRICATION

Before operating, fill gear box "G" to the level of filler plug with No. 90 oil. The oil level should be checked occasionally. The drive chains should be oiled with a light grade of machine oil, all other bearings and moveable parts should be oiled frequently. In storing the snow thrower, it is advisable to coat the auger with a heavy machine oil to prevent rust.

**ST-3072 & ST-302 SNOW THROWER**

Ref. No.	Part No.	Description	Req'd. No.	Ref. No.	Part No.	Description	Req'd. No.
1	1002	1/8 x 1 Cotter Key	2	42	2525	Woodruff Key No. 9 Spec.	2
2	1012	3/4 x 1 Cotter Key	2	43	2526	Drive Gear	1
3	1014	Spring	1	44	2527	Lower Drive Shaft	1
4	1042	3/8-18 x 3/8 Socket Head Set Screw	1	45	2538	Cover	1
5	1045	3/8 Lock Washer	1	46	2536	Gear Box	1
6	1052	3/8 Wrought Washer	1	47	2537	Gasket	1
7	1066	1/4-20 x 1/4 Socket Head Set Screw	5	48	2548	Pivot Tube	1
8	1085	3/4 Shaft Collar	2	49	3800	Chain	1
9	1108	1/8 Std. Pipe Plug	1	50	3808	Reel Shaft	1
10	1113	1/4 Lock Washer	6	51	3809	Wear Plate	1
11	1122	No. 9 Woodruff Key	4	52	3819	Belt Guard used on ST-302	1
12	1166	1/4-20 x 3/4 H.H.C.S.	6	53	3860	Sprocket	1
13	1195	3/8-24 x 1/2 H.H.C.S.	1	54	3861	Chain	1
14	1222	3/8-16 x 3/4 Flat Hd. Mach. Screw	5	55	3866	Mounting Bracket	1
15	1278	Shim Washer	3	56	3872	Jack Shaft	1
16	1303	Seal	2	57	3873	Sprocket	1
17	1327	1/4-20 Wing Nut	2	58	4090	Brace	1
18	1385	1/4-20 x 1/2 Keps. Screw	2	59	4096	Clutch Rod	1
19	1406	1/4-20 Lock Nut	11	60	4605	Chute	1
20	1408	3/8-16 Lock Nut	20	61	4609	Chute Deflector	1
21	1423	3/8-16 x 3/4 H.H.C.S.	2	62	2519	Front Mounting Support	2
22	1425	3/8-16 x 1 H.H.C.S.	2	63	4613	Mounting Channel	1
23	1426	3/8-16 x 1 1/4 H.H.C.S.	6	64	4617	Belt Idler Bracket	1
24	1433	3/8-16 x 7/8 H.H.C.S.	9	65	4600	Shroud	1
25	1434	3/8 Washer	5	66	4620	Reel Ass'y.	1
26	1435	1/4-20 x 3/4 H.H.C.S.	9	67	4624	Pivot Bar	1
27	1436	1/4 Washer	4	68	4628	Shield	1
28	1437	1/4-20 x 1/2 Round Hd. Mach. Screw	2	69	4630	Mounting Bracket for ST-302	1
29	1439	1/4-20 x 1 H.H.C.S.	1	70	4635	Spacer	1
30	1515	3/4 Bearing	4	71	4637	Pivot Crank	1
31	1523	Needle Bearing	2	72	4638	Lift Ass'y.	1
32	1529	Needle Bearing	1	73	4640	Eye Bolt Sheave	1
33	1538	Needle Bearing	1	74	4643	Handle	1
34	1580	"V" Belt (A) 31" Lg. for ST-3072 order in sets of (2)	2	75	4644	Pivot Crank Support Bracket used on ST-302	1
35	1581	"V" Belt Chute 45"	1	76	4648	Skid R. H.	1
36	1582	"V" Belt (A) 74" Lg. for ST-302	1	78	4650	Skid L. H.	1
37	1628	Sheave	1	79	4651	Lift Rod <b>ST-302</b>	1
38	1949	Lift Arm <b>ST-3072</b>	1	80	4656	Clutch Pedal for ST-302	1
39	2489	Sprocket	1	81	4636	Bushing	1
40	2522	Drive Shaft	1	82	4627	Spacer	1
41	2524	Jack Shaft Gear	1				



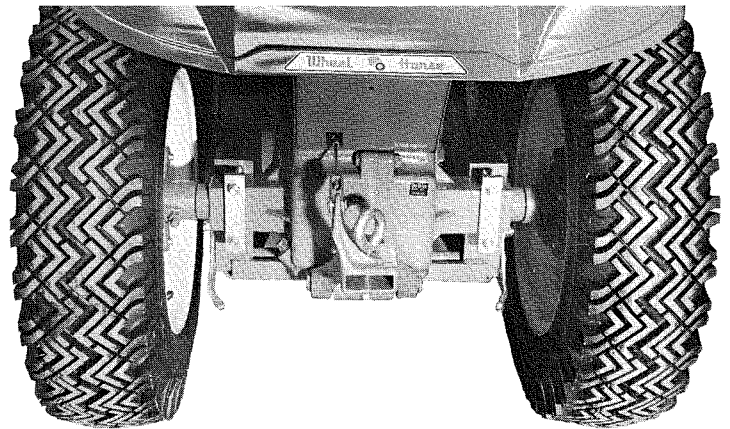
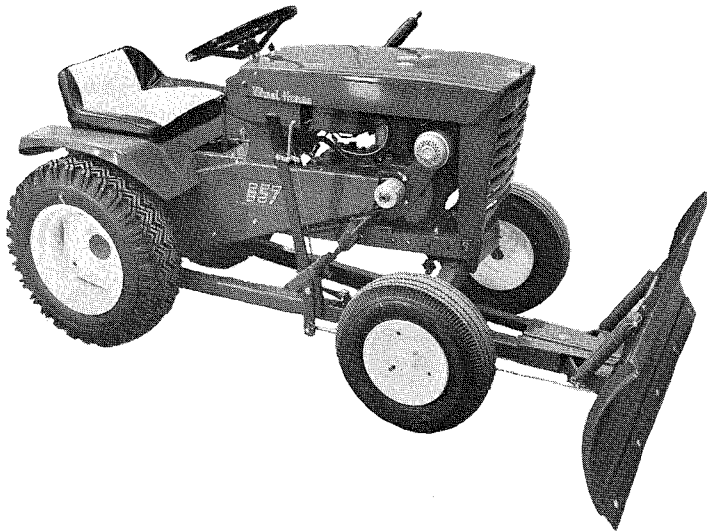
# PARTS LIST AND INSTRUCTIONS



*Wheel Horse*

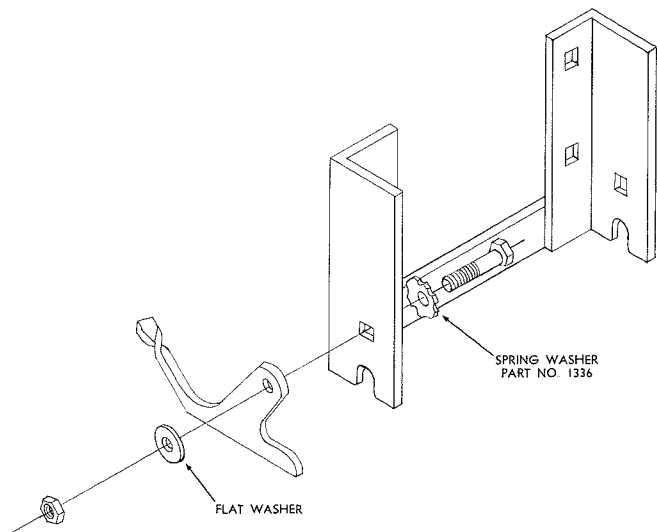
WHEELHORSE PRODUCTS, INC. • SOUTH BEND, IND.

## DOZER BLADE MODEL 6-2111 (Formerly BD-4267)



### ASSEMBLY AND MOUNTING

1. The Blade is shipped complete in one carton. There are three main parts in the carton. The Frame Assembly, Blade Assembly, and a box of parts.
2. Remove contents from carton.
3. Assemble rear mounting bracket assembly, Part No. 5145 using Part No. 3697 Link, 900072-4 carriage bolt, and  $\frac{3}{16}$ -16 nylock nuts. Install the right and left hand latching plates using Part No. 908036-4 bolt, spring washer, Part No. 1336,  $\frac{3}{8}$  washer, Part No. 920009-4 and nylock nut. NOTE: Place the spring washer on the inside of the mounting bracket as shown in Figure A.



Adjust so that the latching plates are firm when in the latched position.

4. Slide the frame assembly, Part No. 5332, under the tractor. Insert the rear cross bar of the frame assembly in the mounting bracket and latch. Be sure the turn lever on the frame assembly is up and out of the way before the frame is locked in position.
5. Attach the lift bar, Part No. 5331, to the tractor lift assembly using hairpin cotter, Part No. 933505-4. Fasten the lift bar to the frame assembly using one hairpin cotter, Part No. 933512-4. NOTE: Tractors with HY-6 hydraulic unit place the lift bar into the slotted hole of the frame lift lug.
6. Bolt the Pivot Sector, Part No. 5102, to the frame assembly using the Hex Bolt, Part No. 908256-4, and Part No. 915640-4, elastic stop nut. (NOTE: Apply a liberal coat of oil before installing.) Insert the bolt from the bottom and tighten, leaving it loose enough for the blade to swing free.
7. Attach the Blade Assembly, Part No. 5109, to the pivot sector using Part No. 4564, lower pivot rod, and two  $\frac{1}{8}$ " x 1" cotter pins, Part No. 932017-4. Next, install the two springs with the Pivot Rods, Part No. 5120. Fasten to the Pivot sector first, with two of the hair pin coppers. Insert the other pivot rod in the blade angles. The angle of the blade will be determined by the hole in which the pivot rod is placed. For general use, the second hole down from the top is used. Tilt forward for earth spreading; tilt back for more aggressive action.
8. The blade control rod, Part No. 4594, is inserted through the bottom of the pivot sector, and through the back side of the lever. Secure with two hair pin coppers.

## OPERATION

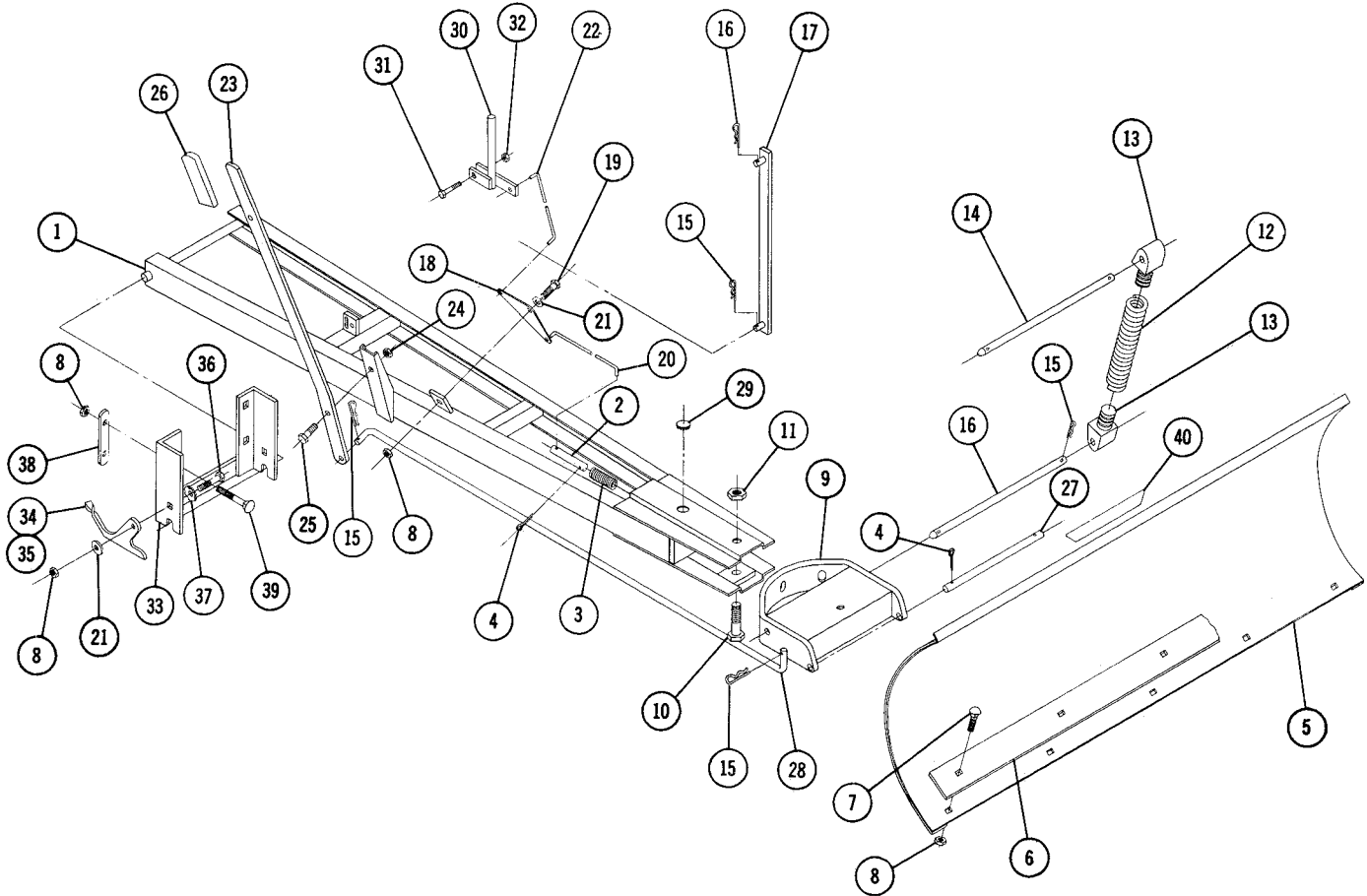
This dozer is equipped with a spring trip device. If the blade should strike a solid object, it will tilt forward and slide over. The dozer blade is adjustable and may be locked in three different positions: straight, right angle, and left angle. These adjustments are easily accomplished from the tractor seat by operating the convenient turn lever. The blade is adjusted up and down with the lift lever.

Before operation, make sure that all bolts are tight and cotter pins opened. Excessive play in the pivot

sector may be removed by tightening the large pivot bolt. The blade edge is reversible and replaceable. After the edge is worn, remove the five bolts securing it to the blade and turn it over, providing a new cutting edge.

A light grade of machine oil should be applied to all moving parts, before operation, and after every 10 hours of use.

**(CAUTION:** Avoid hitting solid objects with the corners of the blade, as this could result in damage.)



## PARTS LIST

When ordering parts always list Part No. and name of part.

Ref. No.	Part No.	Description	No. Req'd.	Ref. No.	Part No.	Description	No. Req'd.
1	5332	Ass'y. Frame	1	21	920009-4	Washer $\frac{3}{8}$ SAE	3
2	5127	Pin — Index	1	22	5329	Rod — Upper Index	1
3	2354	Spring	1	23	5330	Lever — Index	1
4	932017-4	Cotter Pin $\frac{1}{8}$ x 1	3	24	915238-4	Nut — Hex $\frac{1}{2}$ -13 Jam	1
5	5109	Ass'y. Blade	1	25	908057-4	Bolt Hex $\frac{1}{2}$ -13 x 1	1
6	2346	Plate — Blade Edge	1	26	5359	Grip	1
7	900062-4	Bolt Carriage $\frac{3}{8}$ -16 x $\frac{3}{4}$	5	27	4564	Rod — Lower Pivot	1
8	915663-4	Nut $\frac{3}{8}$ -16 Elastic Stop	12	28	4594	Rod — Blade Control	1
9	5102	Ass'y. Sector and Channel	1	29	4944	Plug Button	2
10	908256-4	Bolt Hex $\frac{3}{4}$ -16 x $3\frac{3}{4}$	1	30	5107	Ass'y. Lever	1
11	915640-4	Nut $\frac{3}{4}$ -16 Elastic Stop	1	31	908005-4	Bolt Hex $\frac{1}{4}$ -20 x 1	1
12	5117	Spring — Trip Return	2	32	915111-6	Nut — Nylok $\frac{1}{4}$ -20	1
13	5125	Lug	4	33	5145	Ass'y. Bracket — Mounting	1
14	5120	Rod — Trip Pivot	2	34	5135	Plate — Latching R.H.	1
15	933512-4	Hair Pin Cotter	7	35	5136	Plate — Latching L.H.	1
16	933505-4	Hair Pin Cotter	1	36	908036-4	Bolt Hex $\frac{3}{8}$ -16 x $1\frac{1}{2}$	2
17	5331	Ass'y. Lift Bar	1	37	1336	Washer — Dome	2
18	3770	Plate — Index	1	38	3697	Link	2
19	908034-4	Bolt Hex $\frac{3}{8}$ -16 x 1	1	39	900072-4	Bolt — Carriage $\frac{3}{8}$ -16 x $3\frac{1}{4}$	4
20	3771	Rod — Lower Index	1	40	5604	Decal — Attachment	1

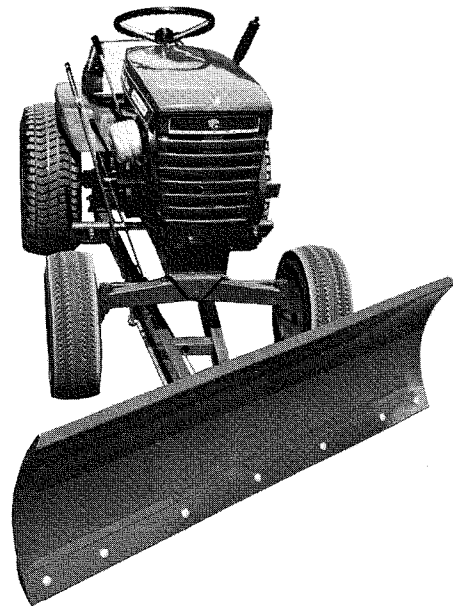
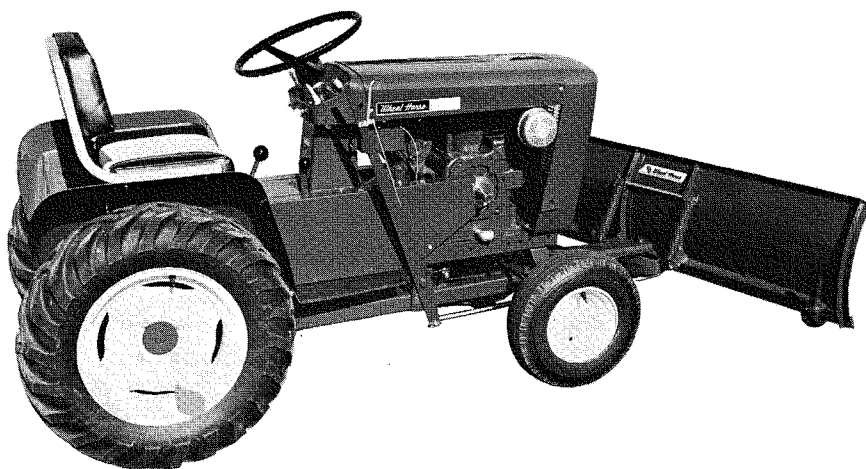
## PARTS LIST AND INSTRUCTIONS



*Wheel Horse*

WHEELHORSE PRODUCTS, INC. • SOUTH BEND, IND.

## DOZER BLADE BD-546 and MODEL 6-1111 (Formerly BD-426)



### ASSEMBLY AND MOUNTING

1. The BD-546 or 6-1111 is shipped complete in one carton. There are three main parts in the carton. The Frame Assembly, Blade Assembly, and a box of parts.
2. Remove contents from carton and parts box.
3. Assemble rear mounting bracket assembly, Part No. 5145, using Part No. 3697 Link, 900072-4 Carriage Bolt, and  $\frac{3}{8}$ -16 Nylock Nuts. Install the R. and L. hand latching Plates using Part No. 900063-4 Carriage Bolt, spring washer, Part No. 3775, and Nylock Nut. The spring washer is installed under the nut. Adjust so that the latching plates are firm when in the latched position.
4. Slide the frame assembly, Part No. 3073, under the tractor. Insert the rear cross bar of the frame assembly in the mounting bracket and latch. Be sure the turn lever on the frame assembly is up and out of the way before the frame is locked in position.
5. Attach Lift Bar, Part No. 6410 (1076 - 1276 - 1056 tractors) or Lift Rod, Part No. 4595 (953 - 1054 tractors) to tractor lift arm. Secure with hairpin cotter, Part No. 933505-4. If your tractor uses Lift Bar (Part No. 6410) attach to dozer frame with clevis pin, Part No. 932124-4 and hairpin cotter, Part No. 933512-4 if your tractor uses Lift Rod (Part No. 4595) screw in rod end, Part No. 3086 and attach to dozer frame with clevis pin, Part No. 932124-4 and hairpin cotter, Part No. 933512-4.
6. Bolt the Pivot Sector, Part No. 5102, to the frame assembly using the Hex Bolt, Part No. 908256-4, and Part No. 915640-4, elastic stop nut. (NOTE: apply a liberal coat of oil before installing.) Insert the bolt from the bottom and tighten, leaving it loose enough for the blade to swing free.
7. Attach the Blade Assembly to the pivot sector using lower pivot rod, Part No. 4564, and two

$\frac{1}{8}$ " x 1" cotter pins, Part No. 932017-4. Next, install the two springs with the Pivot Rods, Part No. 5120. Fasten to the pivot sector first, with two of the hairpin cotters. Insert the other pivot rod in the blade angles. The angle of the blade will be determined by the hole in which the pivot rod is placed.

8. The blade control rod, Part No. 5119, is inserted through the bottom of the pivot sector, and through the back side of the lever. Secure with two hairpin cotters.

On 953 and 1054 tractors the blade should be adjusted so that the frame of the blade is locked tightly against the front axle of the tractor. This is done by adjusting the rod end on the lift rod.

9. The skids, Part No. 2399 (BD-546), must be adjusted before operation. This is accomplished by loosening the set screws, adjusting to the desired position, and tightening again. The purpose of the skids is to keep the blade from catching on cracks in the walk or drive, and to allow it to float over uneven surfaces. (This dozer is equipped with a spring trip device. If the blade should strike a solid object it will tilt forward and slide over without jarring the operator.)

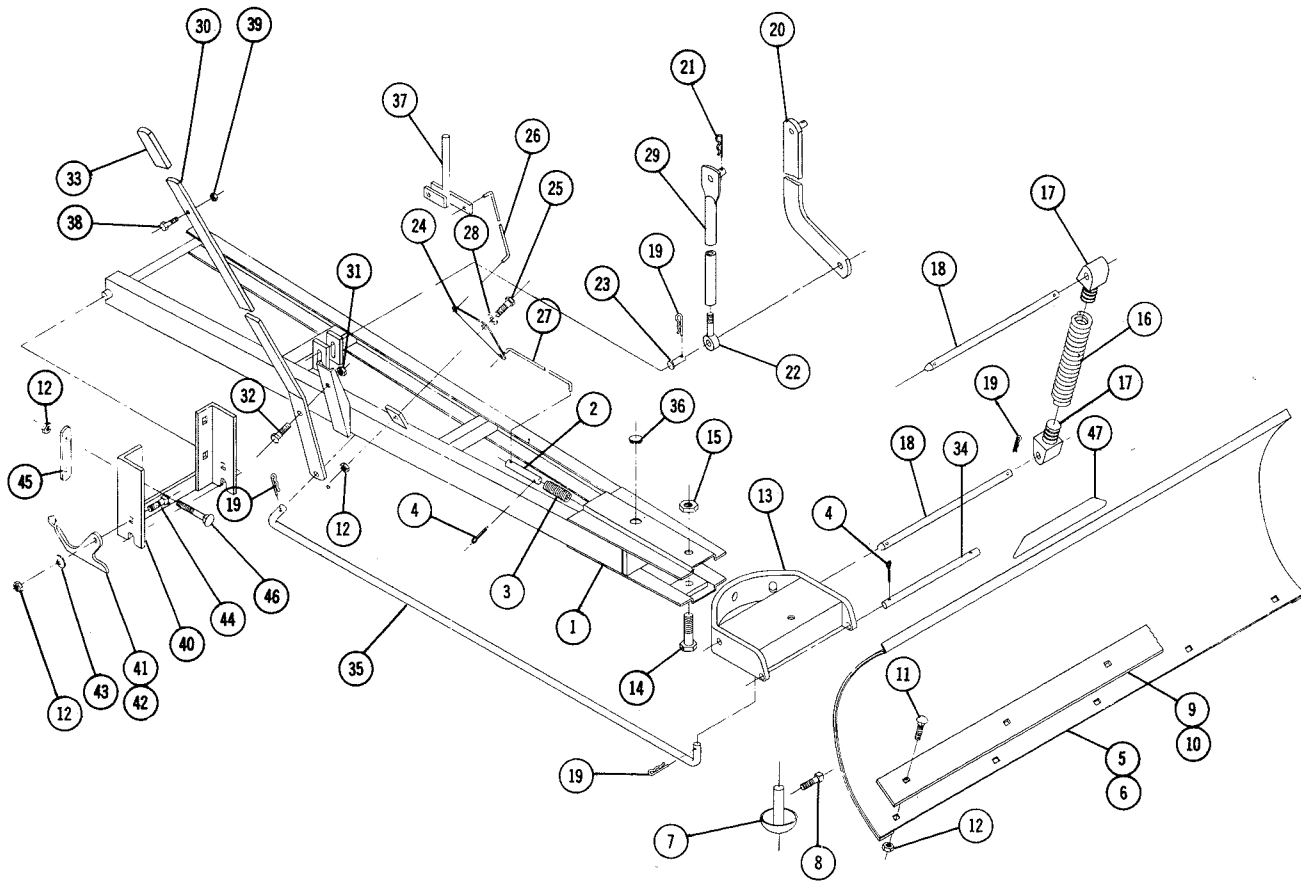
### OPERATION

The dozer blade is adjustable and may be locked in three different positions: straight, right angle, and left angle. These adjustments are easily accomplished from the tractor seat by operating the convenient turn lever. The blade is adjusted up and down with the tractor lift.

A light grade of machine oil should be applied to all moving parts, before operation, and after every 10 hours of use.

(CAUTION: Avoid hitting solid objects with the corners of the blade as this could result in damage.)



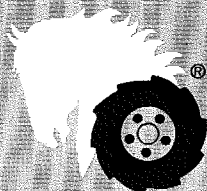


## PARTS LIST

When ordering parts always list Part No. and name of part.

Ref. No.	Part No.	Description	No. Req'd. BD-546	No. Req'd. 6-1111	No. Ref.	Part No.	Description	No. Req'd. BD-546	No. Req'd. 6-1111
1	3073	Ass'y. Frame	1	1	25	908035-4	Bolt — Hex $\frac{3}{8}$ -16 x $1\frac{1}{4}$	1	1
2	5127	Pin — Index	1	1	26	3772	Rod — Upper Index	1	1
3	2354	Spring	1	1	27	3771	Rod — Lower Index	1	1
4	932017-4	Cotter Pin $\frac{1}{8}$ x 1	3	3	28	920009-4	Washer $\frac{3}{8}$ SAE	1	1
5	5109	Ass'y. Blade	0	1	29	4595	Ass'y. Rod End — Lift	1	0
6	3070	Ass'y. Blade	1	0	30	6411	Lever — Index	1	1
7	2399	Ass'y. Skid	2	0	31	915238-4	Nut Hex $\frac{1}{2}$ -13 Jam	1	1
8	909551	Set Screw Square Hd. $\frac{3}{8}$ -16 x $\frac{5}{8}$	2	0	32	908057-4	Bolt Hex $\frac{1}{2}$ -13 x 1	1	1
9	2346	Plate — Blade Edge	0	1	33	5359	Grip	1	1
10	3087	Plate — Blade Edge	1	0	34	4564	Rod — Lower Pivot	1	1
11	900062-4	Bolt Carriage $\frac{3}{8}$ -16 x $\frac{3}{4}$	7	5	35	5119	Rod — Blade Control	1	1
12	915663-4	Nut $\frac{3}{8}$ -16 Elastic Stop	14	12	36	4944	Plug Button	2	2
13	5102	Ass'y. Sector & Channel	1	1	37	5107	Ass'y. Lever	1	1
14	908256-4	Bolt Hex $\frac{3}{4}$ -16 x $3\frac{3}{4}$	1	1	38	908005-4	Bolt Hex $\frac{1}{4}$ -20 x 1	1	1
15	915640-4	Nut Hex $\frac{3}{4}$ -16 Elastic Stop	1	1	39	915111-6	Nut Nylock $\frac{1}{4}$ -20	1	1
16	5117	Spring — Trip Return	2	2	40	5145	Ass'y. Bracket Mtg.	1	1
17	5125	Lug	4	4	41	5135	Plate — Latching R.H.	1	1
18	5120	Rod — Trip	2	2	42	5136	Plate — Latching L.H.	1	1
19	933512-4	Hairpin	7	7	43	3775	Washer — Spring	2	2
20	6410	Ass'y. Lift Bar	1	1	44	900063-4	Bolt — Carriage $\frac{3}{8}$ -16 x 1	2	2
21	933505-4	Hairpin	1	1	45	3697	Link	2	2
22	3086	Rod — End	1	0	46	900072-4	Bolt — Carriage $\frac{3}{8}$ -16 x $3\frac{1}{4}$	4	4
23	932124-4	Pin — Clevis $\frac{1}{2}$ Dia.	1	1	47	5604	Decal — Attachment	1	1
24	3770	Plate — Index	1	1					

## PARTS LIST AND INSTRUCTIONS



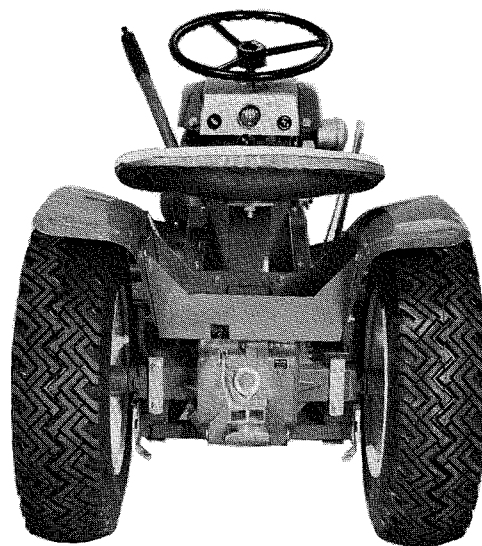
*Wheel Horse*

WHEELHORSE PRODUCTS, INC. • SOUTH BEND, IND.

# DOZER BLADE BD-4264-A

*For All Front Engine*

*Wheel Horse Tractors, and Lawn Rangers  
(Except Models 953 & 1054)*



### ASSEMBLY AND MOUNTING

1. The BD-4264-A is shipped complete in one carton. There are three main parts in the carton. The Frame Assembly, Blade Assembly, and a box of parts.
2. Remove contents from carton and parts box.
3. Assemble rear mounting bracket assembly, Part No. 5134, using Part No. 3697 Link, 900072-4 Carriage Bolt, and  $\frac{3}{8}$ -16 Nylock Nuts. Install the R. and L. hand latching plates using Part No. 900063-4 Carriage Bolt, spring washer, Part No. 3775, and Nylock Nut. The spring washer is installed under the nut. Adjust so that the latching plates are firm when in the latched position.
4. Slide the frame assembly Part No. 5332, under the tractor. Insert the rear cross bar of the frame assembly in the mounting bracket and latch. Be sure the turn lever on the frame assembly is up and out of the way before the frame is locked in position.
5. Attach the Lift Bar, Part No. 5331, to the tractor lift assembly using hair pin cotter S-52-5. Fasten the lift bar to the frame assembly using one S-52-12 hair pin cotter.
6. Bolt the Pivot Sector Part No. 5102, to the frame assembly using the Hex Bolt, Part No. 1334, and Part No. 1643, elastic stop nut. (NOTE: Apply a liberal coat of oil before installing.) Insert the bolt from the bottom and tighten, leaving it loose enough for the blade to swing free.
7. Attach the Blade Assembly, Part No. 5109, to the pivot sector using Part No. 4564, lower pivot rod, and two  $\frac{1}{8}$ " x 1" cotter pins, Part No. 932017. Next, install the two springs with the

Pivot Rods, Part No. 5120. Fasten to the Pivot sector first, with two of the hair pin cotters. Insert the other pivot rod in the blade angles. The angle of the blade will be determined by the hole in which the pivot rod is placed. For general use, the second hole down from the top is used. Tilt forward for earth spreading; tilt back for more aggressive action.

8. The blade control rod, Part No. 4594, is inserted through the bottom of the pivot sector, and through the back side of the lever. Secure with two hair pin cotters.

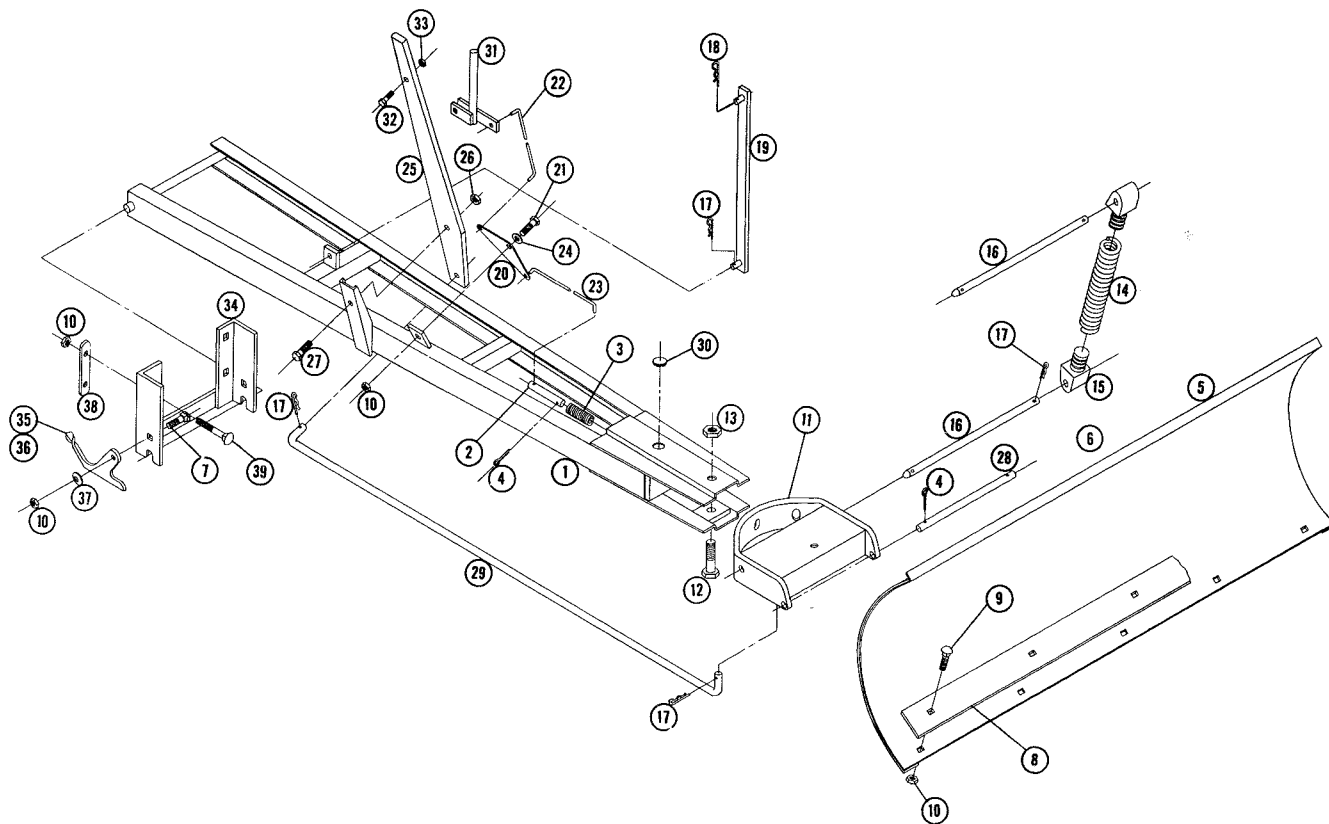
### OPERATION

This dozer is equipped with a spring trip device. If the blade should strike a solid object, it will tilt forward and slide over. The dozer blade is adjustable and may be locked in three different positions: straight, right angle, and left angle. These adjustments are easily accomplished from the tractor seat by operating the convenient turn lever. The blade is adjusted up and down with the lift lever.

Before operation, make sure that all bolts are tight and cotter pins opened. Excessive play in the pivot sector may be removed by tightening the large pivot bolt, Part No. 1334. The blade edge is reversible and replaceable. After the edge is worn, remove the five bolts securing it to the blade and turn it over, providing a new cutting edge.

A light grade of machine oil should be applied to all moving parts, before operation, and after every 10 hours of use.

**(CAUTION:** Avoid hitting solid objects with the corners of the blade, as this could result in damage.)

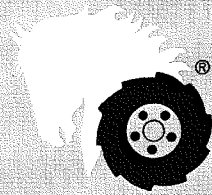


## PARTS LIST

When ordering parts always list Part No. and name of part.

Ref. No.	Part No.	Description	Req'd.	Ref. No.	Part No.	Description	Req'd.
1	5332	Ass'y — Frame	1	21	908332-4	Bolt — Hex $\frac{3}{8}$ -16 x 1	1
2	5127	Pin — Index	1	22	5329	Rod — Upper Index	1
3	2354	Spring	1	23	3771	Rod — Lower Index	1
4	932017-4	Cotter-Pin $\frac{1}{8}$ x 1	3	24	920009-4	Washer — Plain $\frac{3}{8}$ Dia.	1
5	5109	Ass'y — Blade	1	25	5330	Lever	1
6	4411	Decal	1	26	915238-4	Nut — Hex $\frac{1}{2}$ -13 Jam	1
7	900063-4	Bolt — Carriage $\frac{3}{8}$ -16 x 1	2	27	908057-4	Bolt — Hex $\frac{1}{2}$ -13 x 1	1
8	2346	Plate — Blade Edge	1	28	4564	Rod — Lower Pivot	1
9	900062-4	Bolt — Carriage $\frac{3}{8}$ -16 x $\frac{3}{4}$	5	29	4594	Rod — Blade Control	1
10	915113-6	Nut — Nylock $\frac{3}{8}$ -16	12	30	4944	Plug Button	1
11	5102	Ass'y — Sector & Channel	1	31	5107	Ass'y Lever	2
12	1334	Bolt — Hex $\frac{3}{4}$ -16 x $3\frac{3}{4}$	1	32	908303-4	Bolt — Hex $\frac{1}{4}$ -20 x 1	1
13	1643	Nut — Hex $\frac{3}{4}$ -16 Elastic Stop	1	33	915111-6	Nut — Nylock $\frac{1}{4}$ -20	1
14	5117	Spring — Trip Return	2	34	5134	Ass'y Bracket-Mtg.	1
15	5125	Lug	4	35	5135	Plate — Latching R.H.	1
16	5120	Rod — Trip Pivot	2	36	5136	Plate — Latching L.H.	1
17	S-52-12	Hair Pin	7	37	3775	Washer — Spring	2
18	S-52-5	Hair Pin	1	38	3697	Link	2
19	5331	Bar — Lift	1	39	900072-4	Bolt — Carriage $\frac{3}{8}$ -16 x $3\frac{1}{4}$	4
20	3770	Plate — Index	1				

## PARTS LIST AND INSTRUCTIONS

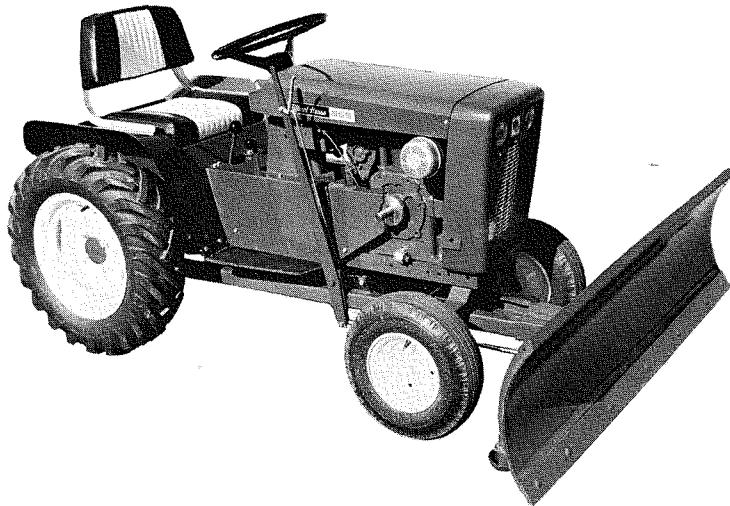


*Wheel Horse*

WHEELHORSE PRODUCTS, INC. • SOUTH BEND, IND.

## DOZER BLADE MODEL 6-1121

(Formerly BD-543)



### ASSEMBLY AND MOUNTING

1. The Blade is shipped complete in one carton. There are three main parts in the carton. The Frame Assembly, Blade Assembly, and a box of parts.
2. Remove contents from carton and parts box.
3. Assemble rear mounting bracket assembly, Part No. 5145, using Part No. 3697 Link, 900072-4 Carriage Bolt, and  $\frac{3}{8}$ -16 Nylock Nuts. Install the R. and L. hand latching Plates using Part No. 900063-4 Carriage Bolt, spring washer, Part No. 3775, and Nylock Nut. The spring washer is installed under the nut. Adjust so that the latching plates are firm when in the latched position.
4. Slide the frame assembly Part No. 3073, under the tractor. Insert the rear cross bar of the frame assembly in the mounting bracket and latch. Be sure the turn lever on the frame assembly is up and out of the way before the frame is locked in position.
5. Attach the Lift Rod, Part No. 3085, to the tractor lift assembly, using Part No. 932122-4 clevis pin, and hair pin cotter S-52-12. Screw the Rod End, Part No. 3086, into the lift rod. Using the  $\frac{1}{2}$  Dia. clevis pin, Part No. 932124-4, attach the rod end to the frame assembly.
6. Bolt the Pivot Sector Part No. 5102, to the frame assembly using the Hex Bolt, Part No. 1334, and Part No. 1643, elastic stop nut. (NOTE: Apply a liberal coat of oil before installing.) Insert the bolt from the bottom and tighten, leaving it loose enough for the blade to swing free.
7. Attach the Blade Assembly, Part No. 3070, to the pivot sector using Part No. 4564, lower pivot rod, and two  $\frac{1}{8}$ " x 1" cotter pins, Part No. 932017.

Next, install the two springs with the Pivot Rods, Part No. 5120. Fasten to the pivot sector first, with two of the hair pin coppers. Insert the other pivot rod in the blade angles. The angle of the blade will be determined by the hole in which the pivot rod is placed.

8. The blade control rod, Part No. 5119, is inserted through the bottom of the pivot sector, and through the back side of the lever. Secure with two hair pin coppers.

The blade should be adjusted so that the frame of the blade is locked tightly against the front axle of the tractor. This is done by adjusting the rod end of the lift linkage.

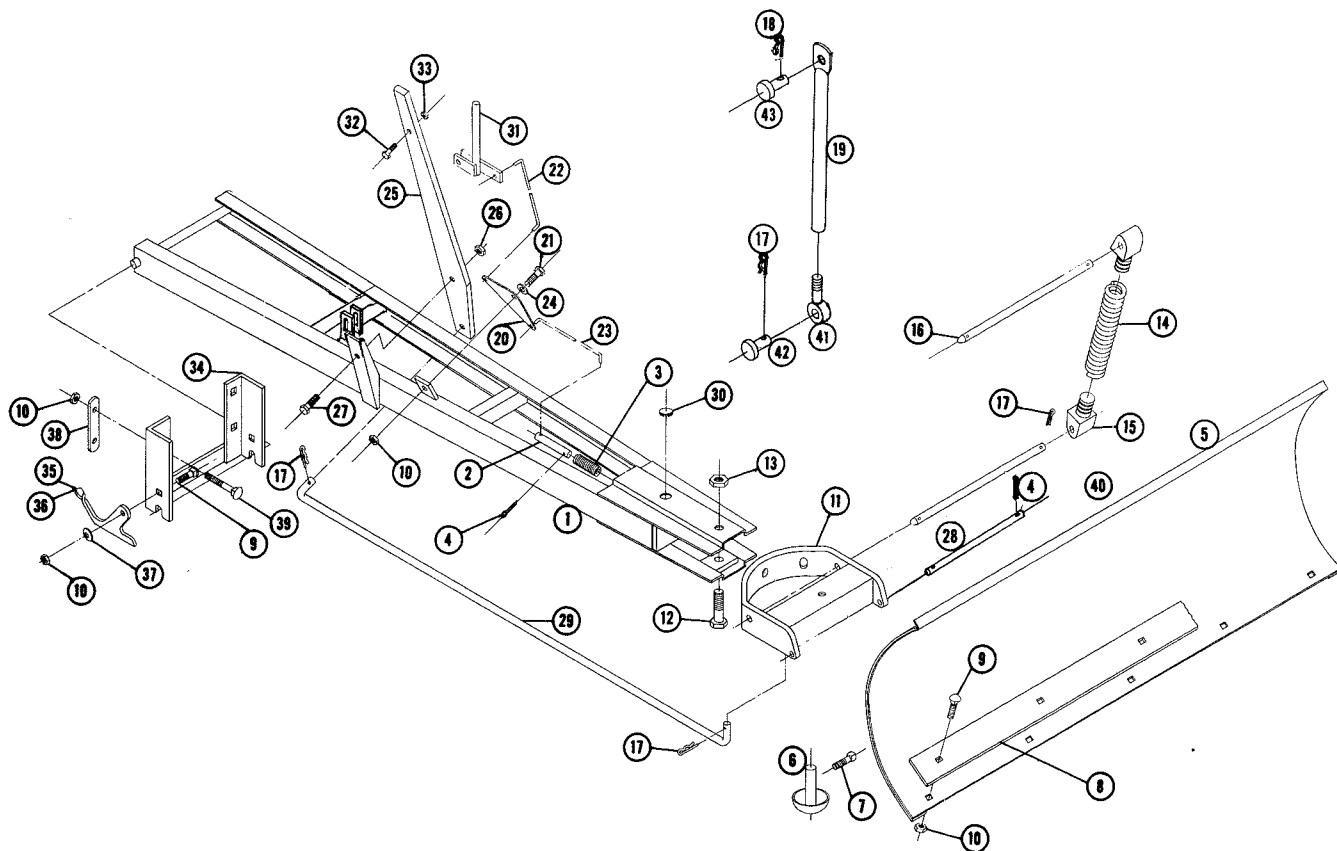
9. The skids, Part No. 2399, on each side of the blade must be adjusted before operation. This is accomplished by loosening the set screws, adjusting to the desired position, and tightening again. The purpose of the skids is to keep the blade from catching on cracks in the walk or drive, and to allow it to float over uneven surfaces. (This dozer is equipped with a spring trip device. If the blade should strike a solid object it will tilt forward and slide over without jarring the operator.)

### OPERATION

The dozer blade is adjustable and may be locked in three different positions: straight, right angle, and left angle. These adjustments are easily accomplished from the tractor seat by operating the convenient turn lever. The blade is adjusted up and down with the hydraulic lift.

A light grade of machine oil should be applied to all moving parts, before operation, and after every 10 hours of use.

(CAUTION: Avoid hitting solid objects with the corners of the blade as this could result in damage.)

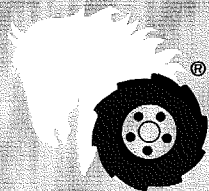


## PARTS LIST

When ordering parts always list Part No. and name of part.

Ref. No.	Part No.	Description	No. Req'd.	Ref. No.	Part No.	Description	No. Req'd.
1	3073	Ass'y — Frame	1	23	3771	Rod — Lower Index	1
2	5127	Pin — Index	1	24	920009-4	Washer — Plain $\frac{3}{8}$ Dia.	1
3	2354	Spring	1	25	3089	Lever	1
4	932017-4	Cotter-Pin $\frac{1}{8}$ x 1	3	26	915238-4	Nut — Hex $\frac{1}{2}$ -13 Jam	1
5	3070	Ass'y — Blade	1	27	908057-4	Bolt — Hex $\frac{1}{2}$ -13 x 1	1
6	2399	Ass'y — Skid	2	28	4564	Rod — Lower Pivot	1
7	909551-4	Set Screw — Square Hd. $\frac{3}{8}$ -16 x $\frac{5}{8}$	2	29	5119	Rod — Blade Control	1
8	3087	Plate — Blade Edge	1	30	4944	Plug Button	2
9	900063-4	Bolt — Carriage $\frac{3}{8}$ -16 x 1	9	31	5107	Ass'y Lever	1
10	915113-6	Nut — Nylock $\frac{3}{8}$ -16	14	32	908303-4	Bolt — Hex $\frac{1}{4}$ -20 x 1	1
11	5102	Ass'y — Sector & Channel	1	33	915111-6	Nut — Nylock $\frac{1}{4}$ -20	1
12	1334	Bolt — Hex $\frac{3}{4}$ -16 x $3\frac{3}{4}$	1	34	5145	Ass'y Bracket-Mtg.	1
13	1643	Nut — Hex $\frac{3}{4}$ -16 Elastic Stop	1	35	5135	Plate — Latching R.H.	1
14	5117	Spring — Trip Return	2	36	5136	Plate — Latching L.H.	1
15	5125	Lug	4	37	3775	Washer — Spring	2
16	5120	Rod — Trip Pivot	2	38	3697	Link	2
17	S-52-12	Hair Pin	7	39	900072-4	Bolt — Carriage $\frac{3}{8}$ -16 x $3\frac{1}{4}$	4
18	S-52-5	Hair Pin	1	40	4411	Decal	1
19	3085	Rod — Lift	1	41	3086	Rod End	1
20	3770	Plate — Index	1	42	932124-4	Clevis Pin $\frac{1}{2}$ Dia.	1
21	908332-4	Bolt — Hex $\frac{3}{8}$ -16 x 1	1	43	932122-4	Clevis Pin $\frac{3}{8}$ Dia.	1
22	3772	Rod — Upper Index	1				

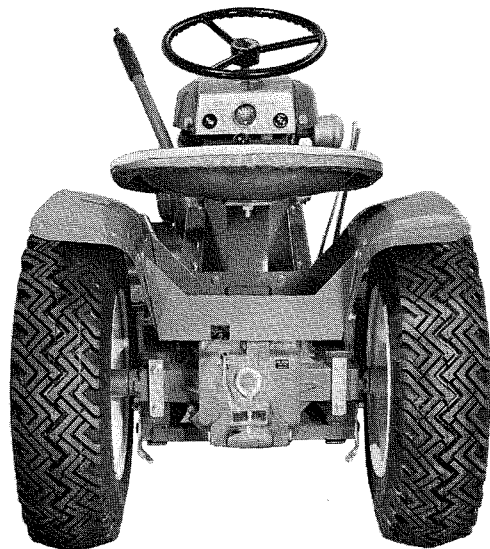
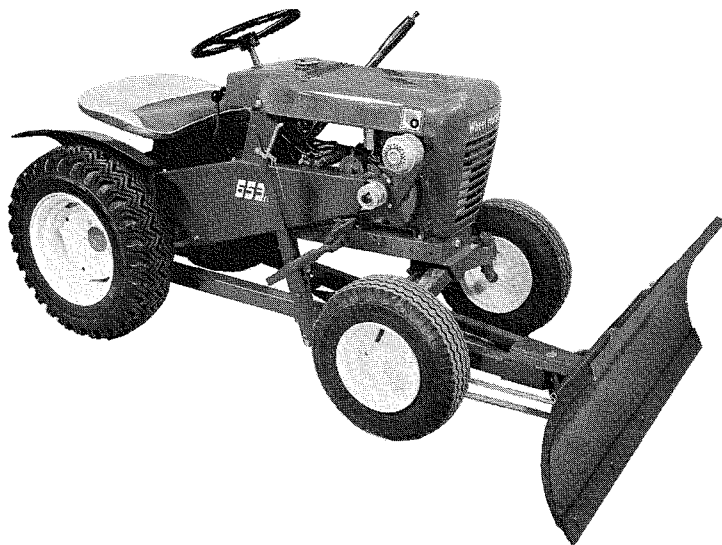
## PARTS LIST AND INSTRUCTIONS



*Wheel Horse*

WHEELHORSE PRODUCTS, INC. • SOUTH BEND, IND.

# DOZER BLADE BD-4264



### ASSEMBLY AND MOUNTING

1. The BD-4264 is shipped complete in one carton. There are three main parts in the carton. The Frame Assembly, Blade Assembly, and a box of parts.
2. Remove contents from carton and parts box.
3. Assemble rear mounting bracket assembly, Part No. 5134, using Part No. 3697 Link, 900072-4 Carriage Bolt, and  $\frac{3}{8}$ -16 Nylock Nuts. Install the R. and L. hand latching plates using Part No. 900063-4 Carriage Bolt, spring washer, Part No. 3775, and Nylock Nut. The spring washer is installed under the nut. Adjust so that the latching plates are firm when in the latched position.
4. Slide the frame assembly Part No. 5101, under the tractor. Insert the rear cross bar of the frame assembly in the mounting bracket and latch. Be sure the turn lever on the frame assembly is up and out of the way before the frame is locked in position.
5. Attach the Lift Bar, Part No. 5118, to the tractor lift assembly using hair pin cotter S-52-5. Fasten the lift bar to the frame assembly using one S-52-12 hair pin cotter.
6. Bolt the Pivot Sector Part No. 5102, to the frame assembly using the Hex Bolt, Part No. 1334, and Part No. 1643, elastic stop nut. (NOTE: Apply a liberal coat of oil before installing.) Insert the bolt from the bottom and tighten, leaving it loose enough for the blade to swing free.
7. Attach the Blade Assembly, Part No. 5109, to the pivot sector using Part No. 4564, lower pivot rod, and two  $\frac{1}{8}$ " x 1" cotter pins, Part No. 932017. Next, install the two springs with the

Pivot Rods, Part No. 5120. Fasten to the Pivot sector first, with two of the hair pin cotters. Insert the other pivot rod in the blade angles. The angle of the blade will be determined by the hole in which the pivot rod is placed. For general use, the second hole down from the top is used. Tilt forward for earth spreading; tilt back for more aggressive action.

8. The blade control rod, Part No. 4594, is inserted through the bottom of the pivot sector, and through the back side of the lever. Secure with two hair pin cotters.

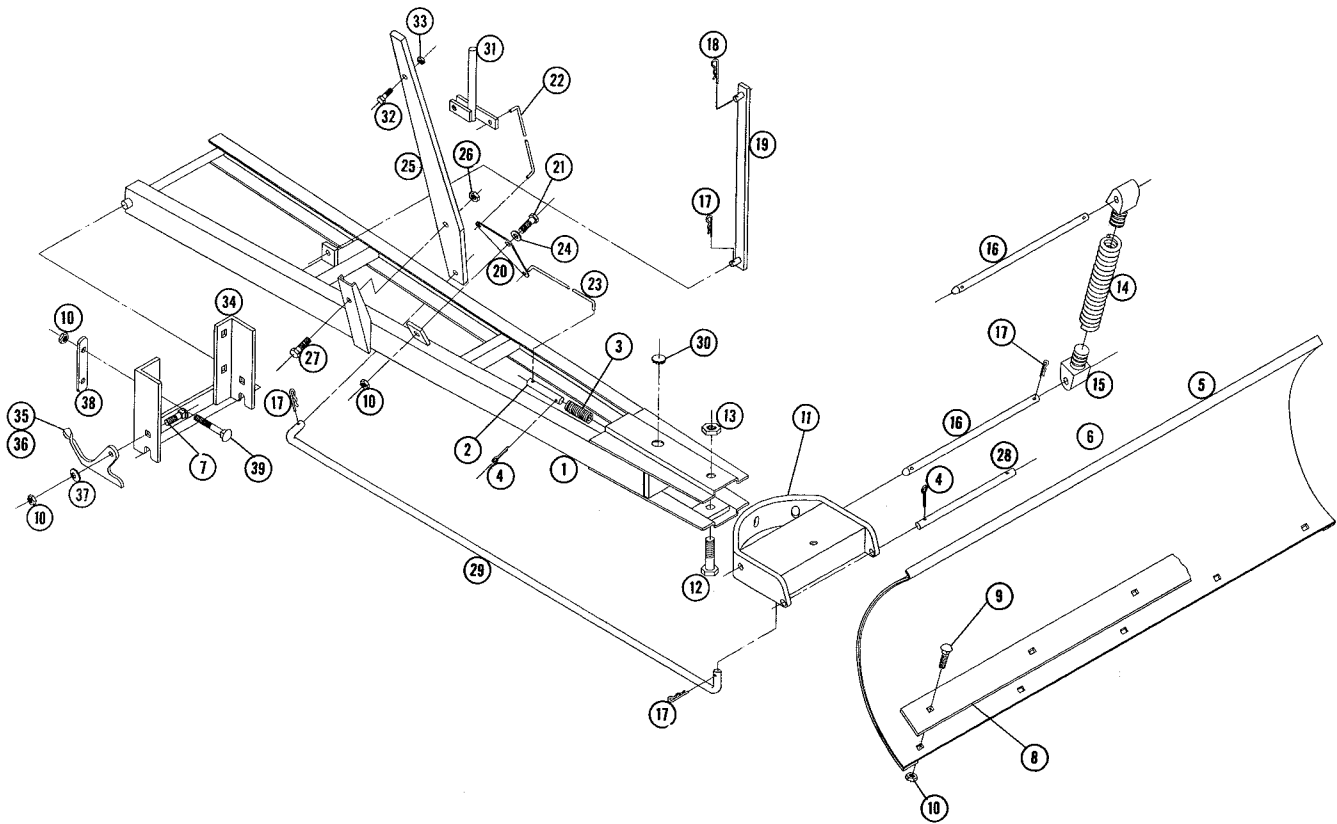
### OPERATION

This dozer is equipped with a spring trip device. If the blade should strike a solid object, it will tilt forward and slide over. The dozer blade is adjustable and may be locked in three different positions: straight, right angle, and left angle. These adjustments are easily accomplished from the tractor seat by operating the convenient turn lever. The blade is adjusted up and down with the lift lever.

Before operation, make sure that all bolts are tight and cotter pins opened. Excessive play in the pivot sector may be removed by tightening the large pivot bolt, Part No. 1334. The blade edge is reversible and replaceable. After the edge is worn, remove the five bolts securing it to the blade and turn it over, providing a new cutting edge.

A light grade of machine oil should be applied to all moving parts, before operation, and after every 10 hours of use.

**(CAUTION:** Avoid hitting solid objects with the corners of the blade, as this could result in damage.)

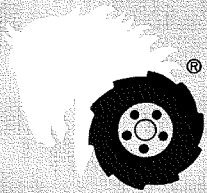


## PARTS LIST

When ordering parts always list Part No. and name of part.

Ref. No.	Part No.	Description	No. Req'd.	Ref. No.	Part No.	Description	No. Req'd.
1	5101	Ass'y — Frame	1	21	908332-4	Bolt — Hex $\frac{3}{8}$ -16 x 1	1
2	5127	Pin — Index	1	22	4122	Rod — Upper Index	1
3	2354	Spring	1	23	3771	Rod — Lower Index	1
4	932017-4	Cotter-Pin $\frac{1}{8}$ x 1	3	24	920009-4	Washer — Plain $\frac{3}{8}$ Dia.	1
5	5109	Ass'y — Blade	1	25	5138	Lever	1
6	4411	Decal	1	26	915238-4	Nut — Hex $\frac{1}{2}$ -13 Jam	1
7	900063-4	Bolt — Carriage $\frac{3}{8}$ -16 x 1	2	27	908057-4	Bolt — Hex $\frac{1}{2}$ -13 x 1	1
8	2346	Plate — Blade Edge	1	28	4564	Rod — Lower Pivot	1
9	900062-4	Bolt — Carriage $\frac{3}{8}$ -16 x $3\frac{3}{4}$	5	29	4594	Rod — Blade Control	1
10	915113-6	Nut — Nylock $\frac{3}{8}$ -16	12	30	4944	Plug Button	2
11	5102	Ass'y — Sector & Channel	1	31	5107	Ass'y Lever	1
12	1334	Bolt — Hex $\frac{3}{4}$ -16 x $3\frac{3}{4}$	1	32	908303-4	Bolt — Hex $\frac{1}{4}$ -20 x 1	1
13	1643	Nut — Hex $\frac{3}{4}$ -16 Elastic Stop	1	33	915111-6	Nut — Nylock $\frac{1}{4}$ -20	1
14	5117	Spring — Trip Return	2	34	5134	Ass'y Bracket-Mtg.	1
15	5125	Lug	4	35	5135	Plate — Latching R.H.	1
16	5120	Rod — Trip Pivot	2	36	5136	Plate — Latching L.H.	1
17	S-52-12	Hair Pin	7	37	3775	Washer — Spring	2
18	S-52-5	Hair Pin	1	38	3697	Link	2
19	5118	Bar — Lift	1	39	900072-4	Bolt — Carriage $\frac{3}{8}$ -16 x $3\frac{3}{4}$	4
20	3770	Plate — Index	1				

## PARTS LIST AND INSTRUCTIONS



*Wheel Horse*

WHEELHORSE PRODUCTS, INC. • SOUTH BEND, IND.

# DOZER BLADE BD-4263



### ASSEMBLY AND MOUNTING

1. Assemble rear mounting brackets, parts #2374 and #2375 using  $\frac{3}{8}$ " x 3" bolts, part #900071-4 and the mounting bars, part #2277.

2. Slide frame, part #2282, under tractor and bolt to mounting brackets with  $\frac{1}{2}$ " x  $1\frac{5}{8}$ " shoulder bolts, part #2380.

3. Hook lift link to the second hole in the tractor lift, and fasten with the lift lever pin, part #932962-4 and the hair pin cotter, part #S-52-4.

4. Fasten the front mounting bracket, part #3223, to the frame with the  $\frac{3}{4}$ " x  $3\frac{3}{4}$ " bolt, part #1334, and tighten castle nut, part #915062-4, until snug. Insert cotter pin through castle nut to lock.

5. Mount blade to frame using the shoulder bolts, part #2278, the spring assembly's, and rod, part #5120. (The blade may be tilted to the desired angle by installing the rod in the various mounting holes in the blade assembly.)

6. Fasten pivot rod, part #2376 to turn lever and to front mounting bracket using cotter pins, part #932017-4.

7. The skids, part #2399, on each side of the blade must be adjusted before operation. This is accomplished by loosening the set screws, adjusting to

the desired position, and tightening again. The purpose of the skids is to keep the blade from catching on cracks in the walk or drive, and to allow it to float over uneven surfaces. (This dozer is equipped with a spring trip device. If the blade should strike a solid object it will tilt forward and slide over without jarring the operator.)

8. A light grade of machine oil should be applied to all moving parts, before operation, and after every 10 hours of use.

### OPERATION

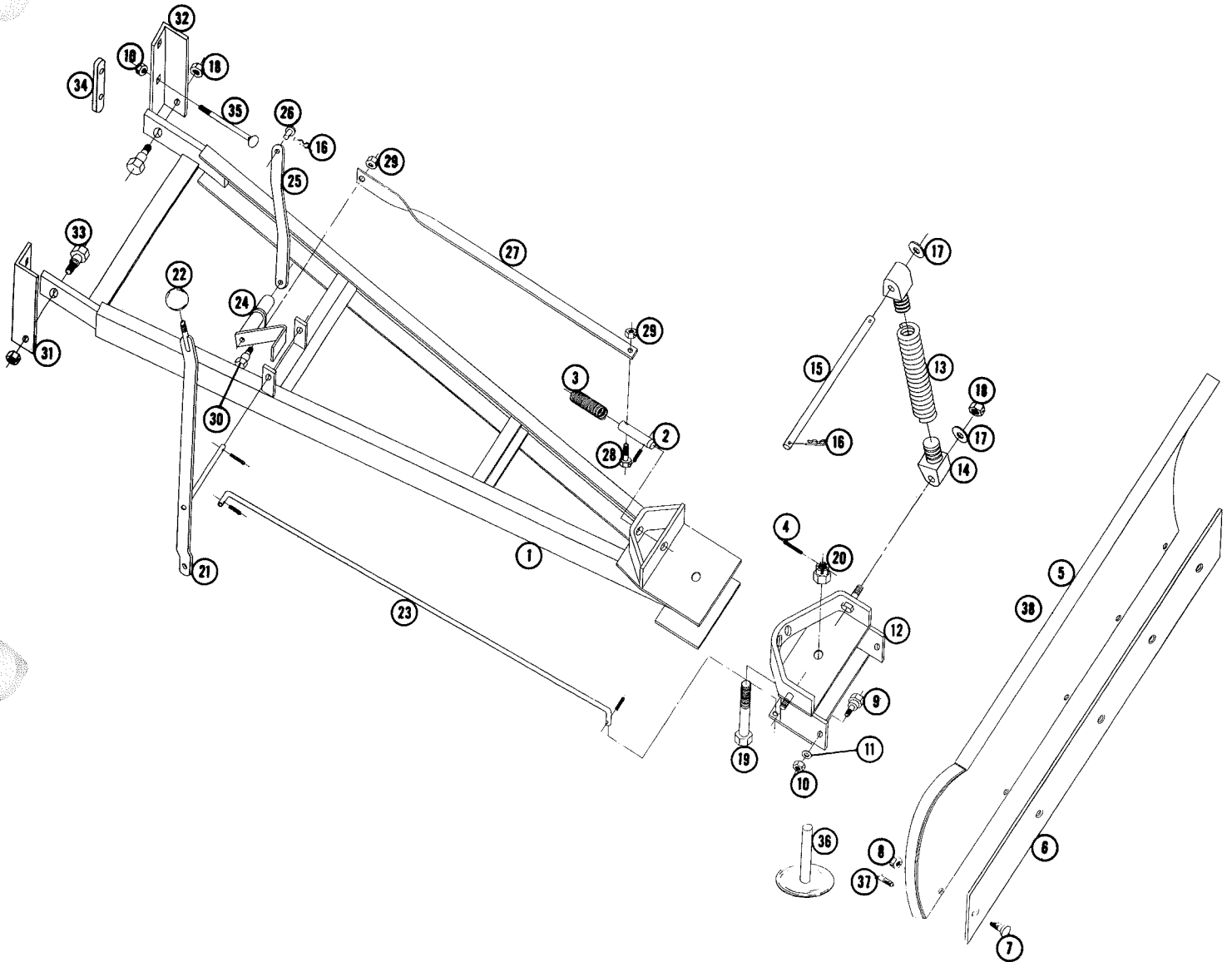
The dozer blade is adjustable and may be locked in three different positions, straight, right angle, and left angle. These adjustments are easily accomplished from the tractor seat. Simply depress the dozer foot pedal release (on the right side) and move to the desired position with the turn lever. Release pedal to lock in position.

The tractor lift lever (on the left side of the tractor) is used to lock the blade in the up position. The dozer blade is free floating when in the down position. When necessary, hand pressure may be applied by pushing the lift lever forward.

**(CAUTION)** Do not hit solid objects with the corners of the blade as this could result in damage.



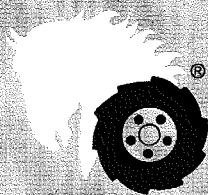
# PARTS LIST



Ref. No.	Part No.	Description	No. Req'd.
1	2282	Ass'y. Frame W/A	1
2	2353	Pin-Index	1
3	2354	Spring	1
4	932017-4	Cotter Pin 1/8 x 1	5
5	3325	Ass'y. Blade W/A	1
6	2346	Plate-Blade Edge	1
7	900037-4	Bolt-Carriage 3/16 - 18 x 3/4	5
8	915112-6	Nut 3/16 - 18 Nylock	5
9	2278	Bolt-Shoulder	2
10	915113-6	Nut 3/8 - 16 Nylock	6
11	920009-4	Washer 3/8 Dia.	2
12	3323	Ass'y. Sector W/A	1
13	3065	Spring	2
14	5125	Lug	4
15	5120	Rod	1
16	S-52-4	Hairpin	3
17	920011-4	Plain Washer 1/2 Dia.	4
18	915115-6	Nut-Nylock - 1/2 - 13	4
19	1334	Bolt-Hex 3/4 - 16 x 3 3/4	1

Ref. No.	Part No.	Description	No. Req'd.
20	915062-4	Nut-Castle 3/4 - 16	1
21	2379	Ass'y. Lever W/A	1
22	1001	Knob	1
23	2376	Rod-Pivot	1
24	2372	Ass'y. Lever-Index	1
25	2377	Link-Lift	1
26	932962-4	Pin-Clevis	1
27	2373	Link-Triplever	1
28	932017-4	Bolt-Hex. 1/4 - 20 x 1	1
29	915111-6	Nut-Nylock 1/4 - 20	2
30	2391	Bolt-Shoulder	1
31	2374	Bracket-R.H. Mtg.	1
32	2375	Bracket-L.H. Mtg.	1
33	2380	Bolt Shoulder	2
34	2277	Link-Mtg. Bracket	2
35	900071-4	Bolt-Carriage 3/8 - 16 x 3	4
36	2399	Skid Ass'y.	2
37	909551-4	Set Screw Sq. Hd. 3/8 - 16 x 5/8	2
38	4411	Decal	1

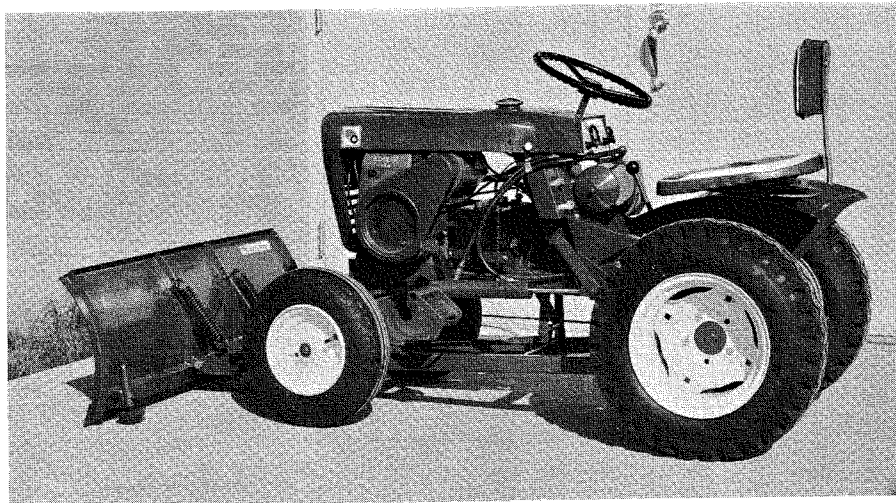
## PARTS LIST AND INSTRUCTIONS



*Wheel Horse*®

WHEELHORSE PRODUCTS, INC. • SOUTH BEND, IND.

# DOZER BLADE BD-4262



### ASSEMBLY AND MOUNTING

1. Assemble rear mounting brackets, parts #2374 and #2375 using  $\frac{3}{8}$ " x  $2\frac{5}{8}$ " bolts, part #2279 and the mounting bars, part #2277.

2. Slide frame, part #2282, under tractor and bolt to mounting brackets with  $\frac{1}{2}$ " x  $1\frac{5}{8}$ " shoulder bolts, part #2380.

3. Hook lift link to the second hole in the tractor lift, and fasten with the lift lever pin, part #2283 and the hair pin cotter, part #1290.

4. Fasten the front mounting bracket, part #2284, to the frame with the  $\frac{3}{4}$ " x  $3\frac{3}{4}$ " bolt, part #1334, and tighten castle nut, part #1010, until snug. Insert cotter pin through castle nut to lock.

5. Mount blade to frame using the shoulder bolts, part #2278, and the spring hook assembly, part #2144. (The blade may be tilted to the desired angle by installing the spring hook assembly in the various mounting holes in the blade assembly.)

6. Fasten pivot rod, part #2376 to turn lever and to front mounting bracket using cotter pins, part #1002.

7. The skids, part #2399, on each side of the blade must be adjusted before operation. This is accomplished by loosening the set screws, adjusting to the desired position, and tightening again. The purpose

of the skids is to keep the blade from catching on cracks in the walk or drive, and to allow it to float over uneven surfaces. (This dozer is equipped with a spring trip device. If the blade should strike a solid object it will tilt forward and slide over without jarring the operator.)

8. A light grade of machine oil should be applied to all moving parts, before operation, and after every 10 hrs. of use.

### OPERATION

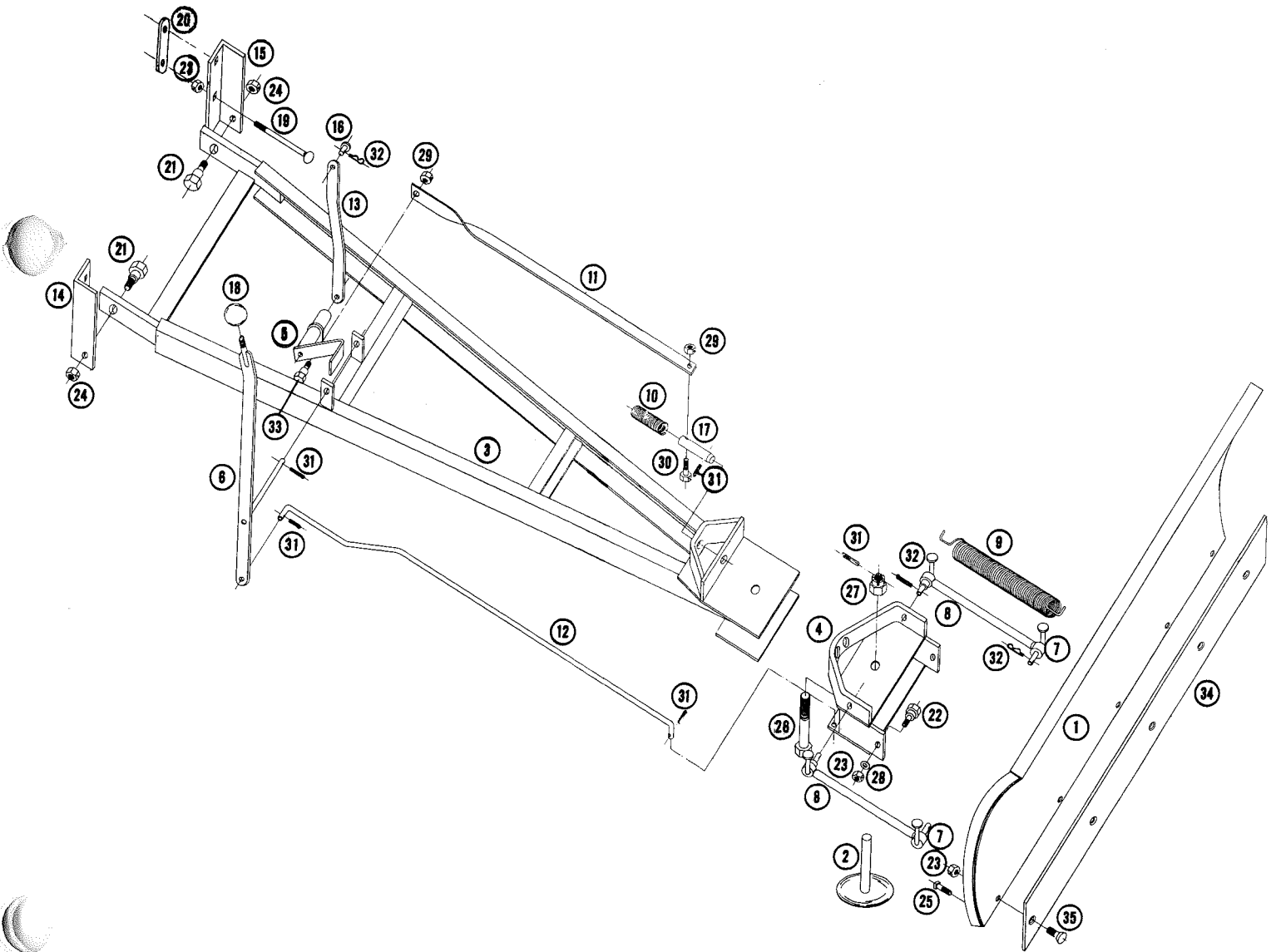
The dozer blade is adjustable and may be locked in three different positions, straight, right angle, and left angle. These adjustments are easily accomplished from the tractor seat. Simply depress the dozer foot pedal release (on the right side) and move to the desired position with the turn lever. Release pedal to lock in position.

The tractor lift lever (on the left side of the tractor) is used to lock the blade in the up position. The dozer blade is free floating when in the down position. When necessary, hand pressure may be applied by pushing the lift lever forward.

**(CAUTION)** Do not hit solid objects with the corners of the blade as this could result in damage.)

**BD-4262 DOZER BLADE**

Ref. No.	Part No.	Parts Description	No. Required	Ref. No.	Part No.	Parts Description	No. Required
1	2285	Blade Assy. W/A	1	19	2279	Carriage Bolt	4
2	2399	Skid Assy. W/A	2	20	2277	Mounting Bar—rear	2
3	2282	Frame W/A	1	21	2380	Shoulder Bolt	2
4	2284	Mounting Bracket—Front W/A	1	22	2278	Shoulder Bolt	2
5	2372	Foot Pedal Release W/A	1	23	1408	Nylock Nut, 3/8-16	11
6	2379	Turn Lever Assy. W/A	1	24	1410	Nylock Nut, 1/2-13	2
7	2140	Inside Spring Retainer W/A	2	25	1161	Sq. Hd. Set Screw	2
8	2144	Spring Hook Assy. W/A	2	26	1334	Hex Hd. Cap Screw 3/4-16 x 3 3/4	1
9	2143	Tension Spring	2	27	1010	Hex Hd. Castle Nut 3/4-16	1
10	2354	Spring	1	28	1018	Flat Washer, S.A.E.	2
11	2373	Bar-Trip	1	29	1406	Nylock Nut 1/4-20	1
12	2376	Pivot Rod	1	30	1221	Hex Hd. Cap Screw	1
13	2377	Lift Bar	1	31	1002	Cotter Pin, 1/8 x 1	4
14	2374	Mounting Bracket—Rear R.H.	1	32	1290	Hair Pin Cotter	5
15	2375	Mounting Bracket—Rear L.H.	1	33	2391	Shoulder Bolt	1
16	2283	Pin-Lift Lever	1	34	2346	Wear Plate	1
17	2353	Index Pin	1	35	1251	Carriage Bolt 3/8-16 x 3/4	5
18	1001	Knob	1				

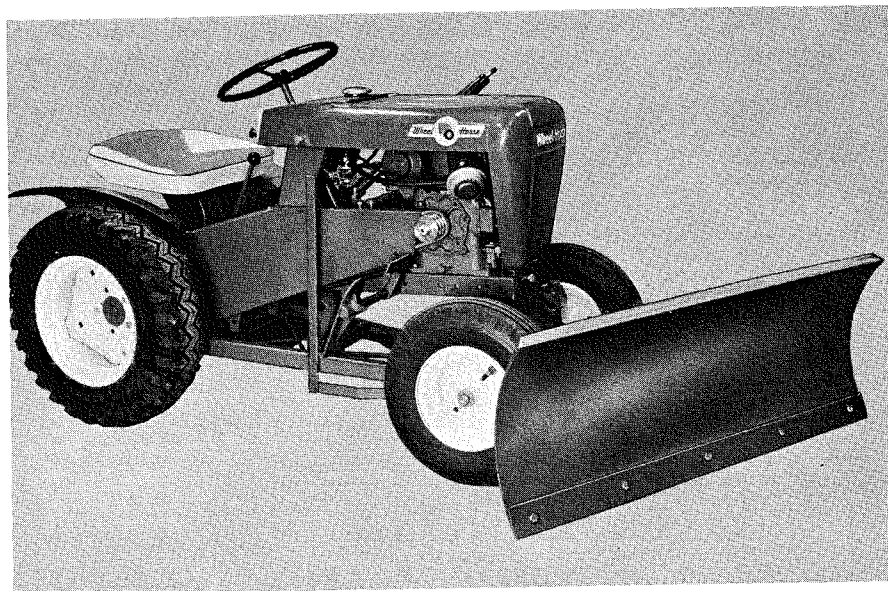


# Wheel-Horse

Reg. U. S. Pat. Off.

## BD-42-71 DOZER

### PARTS LIST AND INSTRUCTIONS



#### OPERATION

The new dozer blade for the 701 is adjustable in three different positions, left side, straight ahead, and right side.

This is automatic by pressing foot lever on right side and adjusting with hand lever.

Tractor hand lever on left side is to elevate dozer to up position. It is not necessary to lock down as dozer is free floating and, when necessary, hand pressure may be applied by pushing lever forward. It is well to note that your blade also has a tilt adjustment for different conditions. This is done by removing the two top bolts on the braces to the blade and selecting the proper holes.

In using your blade, it is not advisable to hit solid obstructions on the corners of the blade as this may bend the dozer. If used properly it will do many jobs and give many hours of service.

#### MOUNTING INSTRUCTIONS

**A.** Unpack blade from carton, you will note there are 10 different pieces including the parts bag.

**B.** First assemble rear mounting brackets to transmission axle housing, using  $\frac{3}{8}$ " "U" Bolts.

**C.** Assemble foot lever to main frame using turning lever ass'y. Before putting snap ring on, slide left link on end of shaft.

**D.** Slide main frame under tractor from front to rear. Bolt to mounting brackets using  $\frac{1}{2}$ " shoulder bolts.

**E.** Hook up lift link to lift lever using bolt and double nuts.

**F.** Mount blade to main frame using  $\frac{3}{4}$ " bolt and draw up nut until all looseness is taken out of pivot. Insert cotter key in castle nut to lock.

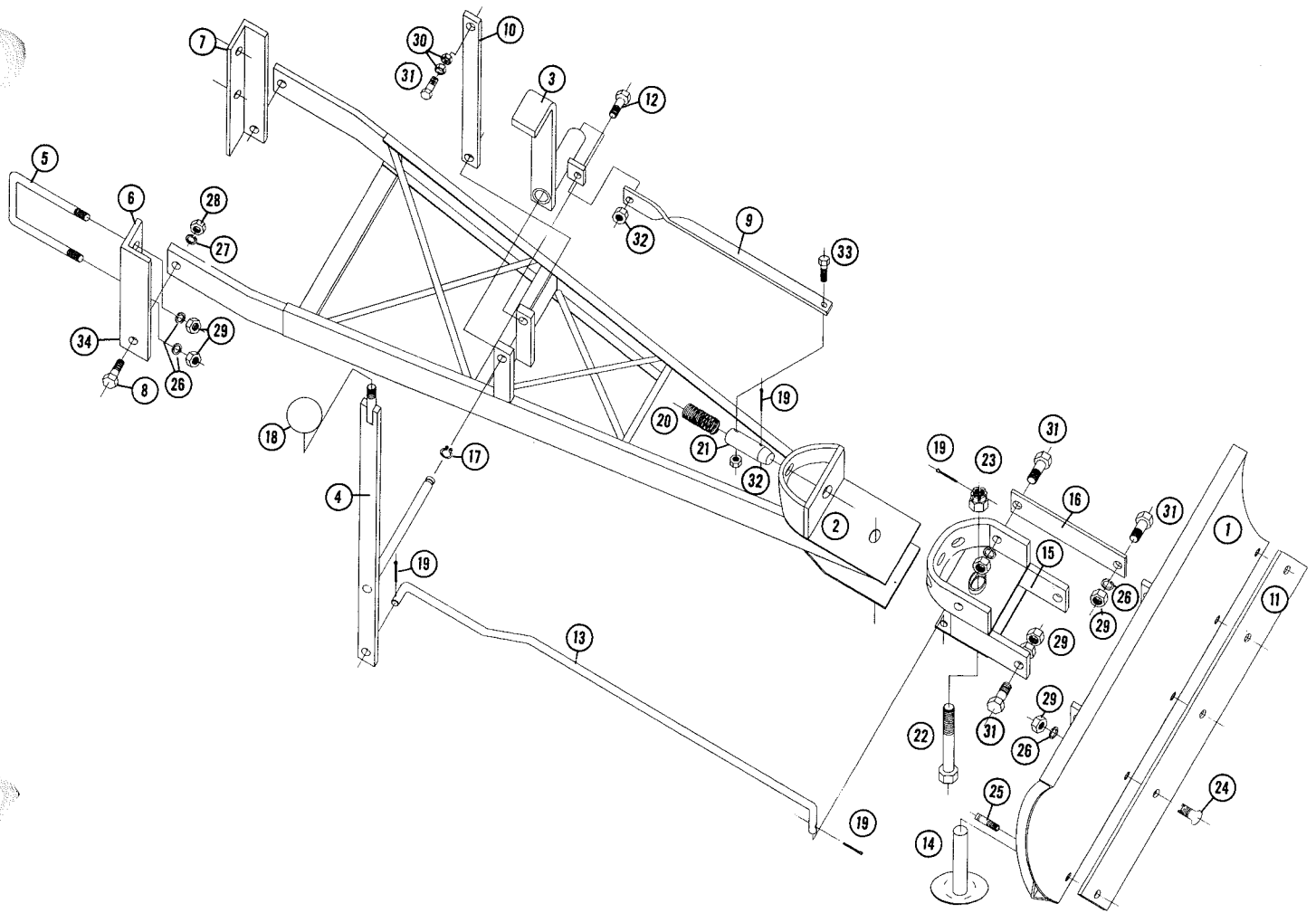
**G.** Install  $\frac{3}{8}$ " rod to turning lever on right side and to dozer blade using cotter keys. (Lower right side)

**H.** A light grade of motor oil should be applied to all moving parts before starting operation.

**I.** The blade is adjusted at the factory for tilt but may be changed if desired to operators need.

**J.** There are shoes on each side of the blade which must be adjusted for different conditions. This is done by loosening set screws. These are to keep operator from hitting cracks in walk and to allow dozer to move over uneven surface without jarring tractor.

**K.** Never hit solid objects with tractor in high gear. Also never adjust angle of blade while tractor is moving forward or blade is in the down position.



### PARTS LIST FOR BD-42-71 DOZER BLADE

No. Ref.	Part No.	Description	No. Req'd.
1	2370	Blade Ass'y.	1
2	2371	Hitch Frame Ass'y.	1
3	2372	Foot Lever Ass'y.	1
4	2379	Lift Lever Ass'y.	1
5	2378	U-Bolt	2
6	2374	R. H. Rear Mounting Angle	1
7	2375	L. H. Rear Mounting Angle	1
8	2380	Shoulder Bolt $\frac{1}{2}$ -13	2
9	2373	Trip Bar	1
10	2377	Lift Bar	1
11	2346	Wear Plate	1
12	2391	Shoulder Bolt $\frac{1}{4}$ -20	1
13	2376	Pivot Rod	1
14	2399	Skid	2
15	2404	Blade—Mounting Bracket	1
16	2386	Blade Pitch Brace	2
17	1365	Snap Ring	1

Ref. No.	Part No.	Description	No. Req'd.
18	1001	Knob	1
19	1002	Cotter Key $\frac{1}{8}$ x 1	4
20	2354	Spring	1
21	2353	Index Pin	1
22	1334	H. H. C. S. $\frac{3}{4}$ -16 x $3\frac{3}{4}$	1
23	1010	Hex Hd. Castle Nut $\frac{3}{4}$ -16	1
24	1251	Carriage Hd. Bolt $\frac{3}{8}$ x $\frac{3}{4}$	5
25	1161	Set Screw Sq. Hd. Cup Point $\frac{3}{8}$ x $\frac{5}{8}$	2
26	1039	Lock Washer $\frac{3}{8}$	15
27	1115	Lock Washer $\frac{1}{2}$	2
28	1074	Hex Nut $\frac{1}{2}$ -13	2
29	1016	Hex Nut $\frac{3}{8}$ -16	15
30	1080	Jam Nut Hex Hd. $\frac{3}{8}$ -16	2
31	1062	H. H. C. S. $\frac{3}{8}$ -16 x 1	5
32	1265	Hex Nut $\frac{1}{4}$ -20	2
33	1221	H. H. C. S. $\frac{1}{4}$ -20 x 1	1



# BD-4261 DOZER BLADE (HD-42)

## PARTS LIST AND INSTRUCTIONS

**ASSEMBLY and ATTACHING TO TRACTOR:** The dozer blade is shipped as two pieces; one blade assembly and lift bar and one carton of parts.

To assemble, mount the rear channel (A) to the front channel (B) with the pivot pin and snap rings. Next, mount the above assembly to the tractor by placing the rear channel over the front axle bolt head. Bolt into place with the one 7" machine bolt, through the frame.

Now, mount the blade assembly to the drive with the 3/4 bolt and jam nuts. Be sure this bolt is tight when using blade.

The index pedal should be mounted on the right foot rest, and held in place with the shaft collar. Connect the chain to the pedal and the index pin.

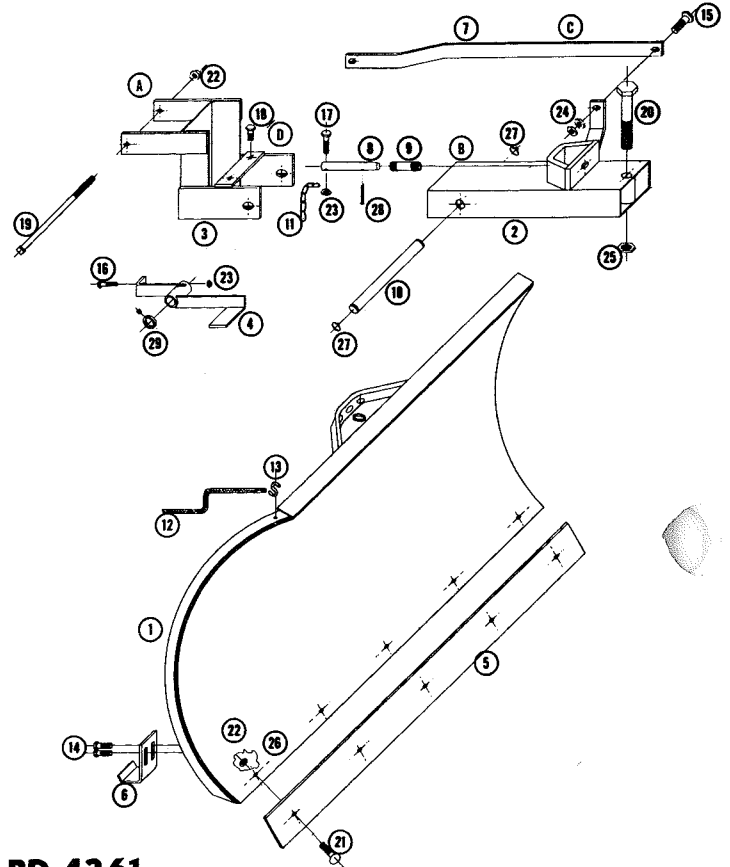
The lift bar (C) bolts to the lift lever.

Attach the rope to the top of the blade with the "S" hooks provided.

**ADJUSTMENTS:** The blade has a three position adjustment for plowing. Depress the foot pedal and switch the blade to desired position. Release the pedal and the index pin will lock the blade into position.

For grading or moving dirt, the adjusting bolts (D) should be set to prevent the blade from digging too deep and stalling the tractor.

**LUBRICATION:** Oil index pin and all other moving parts.



### PARTS LIST for BD-4261

Item No.	Part No.	Description	No. Req'd.
1	2347	Blade Assembly	1
2	2348	Channel Assembly	1
3	2359	Rear Bracket	1
		Use on ST-400, ST-550, 401 & 551	
3	2349	Rear Bracket	1
		Use on RJ-35, RJ-58, RJ-59	
4	2350	Pedal Assembly	1
5	2346	Wear Plate	1
6	2351	Skid	2
7	2352	Lift Bar	1
8	2353	Index Pin	1
9	2354	Spring	1
10	2355	Pivot Pin	1
11	2356	Chain	1
12	2357	Rope	1
13	2358	S Hook	2
14	908181	Bolt — Hex 3/8-24 x 3/4	4

Item No.	Part No.	Description	No. Req'd.
15	908035	Bolt — Hex 3/8-16 x 1 1/4	2
16	908003	Bolt — Hex 1/4-20 x 3/4	1
17	908005	Bolt — Hex 1/4-20 x 1	1
18	908196	Bolt — Hex 7/16-20 x 1 1/4	2
19	900851	Bolt — Sq. Head 3/8-16 x 7	1
20	908256	Bolt — Hex 3/4-16 x 3 3/4	1
21	900062	Bolt — Carriage 3/8-16 x 3/4	5
22	915113-6	Nut — Nylok 3/8-16	7
23	915111-6	Nut — Nylok 1/4-20	2
24	915113-6	Nut — Nylok 3/8-16	1
25	915640	Nut — Elastic Stop 3/4-16	1
26		Not Used	
27	93125	Snap Ring 3/4 Shaft	2
28	932017	Cotter Pin 1/8 x 1	1
29	1085	Collar	1
30	909848-6	Set Screw 1/4-20 x 1/4 Nylok	1

FORM NO. 260

# Wheel-Horse

Reg. U. S. Pat. Off.

## SPR-42 SNOW PLOW

### PARTS LIST AND INSTRUCTIONS

#### ASSEMBLING

The snow blade is shipped as two pieces. To assemble, remove the  $\frac{3}{8}$  x 3 bolt from the blade and insert the drive (A) between the larger position plate and the small plate. The lift bar (C) must be on the left side, viewed from rear.

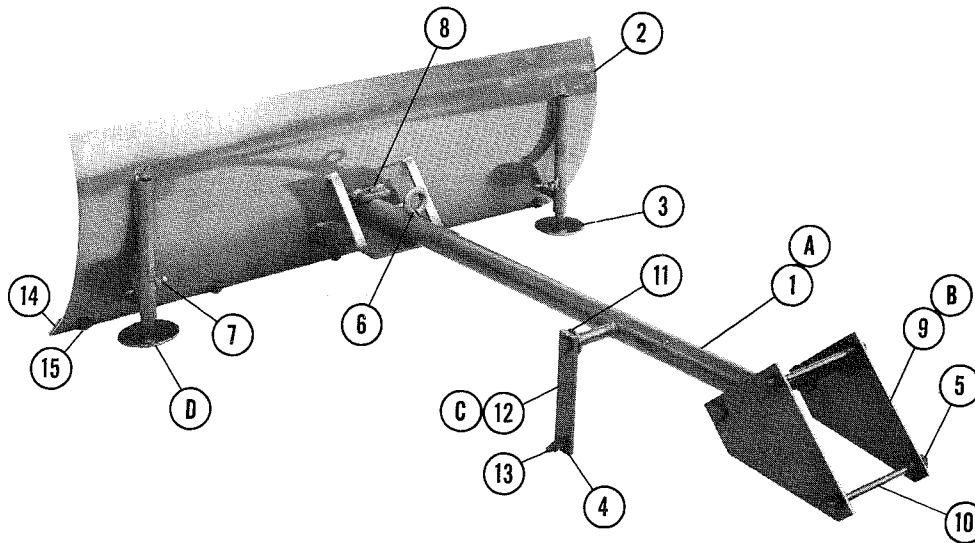
#### ATTACHING TO THE TRACTOR

To attach the drive to the tractor, bolt the hanger plates (B) to the frame. These are bolted in the rear two mounting holes with the plates on the outside of the frame. Connect the lift bar (C) to the lift lever with the  $\frac{3}{8}$  x  $1\frac{1}{2}$  bolt and double nut. The unit is now ready for use.

#### ADJUSTMENTS

The snow blade has a three position adjustment for plowing. It may be switched by removing the tool pin and resetting the position and replacing the pin.

The skids (D) should be set so the blade rides just above the ground. This will prevent damage to the blade which might occur while plowing on sidewalks and drives.



#### PARTS LIST for SPR-42

Ref. No.	Part No.	Description	No. Req.
1	2334	Drive Assembly	1
2	2336	Blade Assembly	1
3	2343	Skid Assembly	2
4	1016	HN, $\frac{3}{8}$ -16	3
5	1039	Lockwasher, $\frac{3}{8}$	8
6	1813	Tool Pin	1
7	1161	Set Screws, $\frac{3}{8}$ -16 x $\frac{5}{8}$	2
8	1168	HHCS, $\frac{3}{8}$ -16 x 3	1

Ref. No.	Part No.	Description	No. Req.
9	2332	Hanger Plate	2
10	1162	Machine Bolt w/Nut, $\frac{3}{8}$ x 7	2
11	1002	Cotter Pin, $\frac{1}{8}$ x 1	3
12	2333	Lift Link	1
13	1064	HHCS, $\frac{3}{8}$ -16 x $1\frac{1}{2}$	1
14	2346	Wear Plate	1
15	1251	Carriage Bolt, $\frac{3}{8}$ x $\frac{3}{4}$	5

WHEEL-HORSE PRODUCTS

SOUTH BEND, INDIANA

